



PART NAME

STEEL INTERNAL PANEL

PART No.

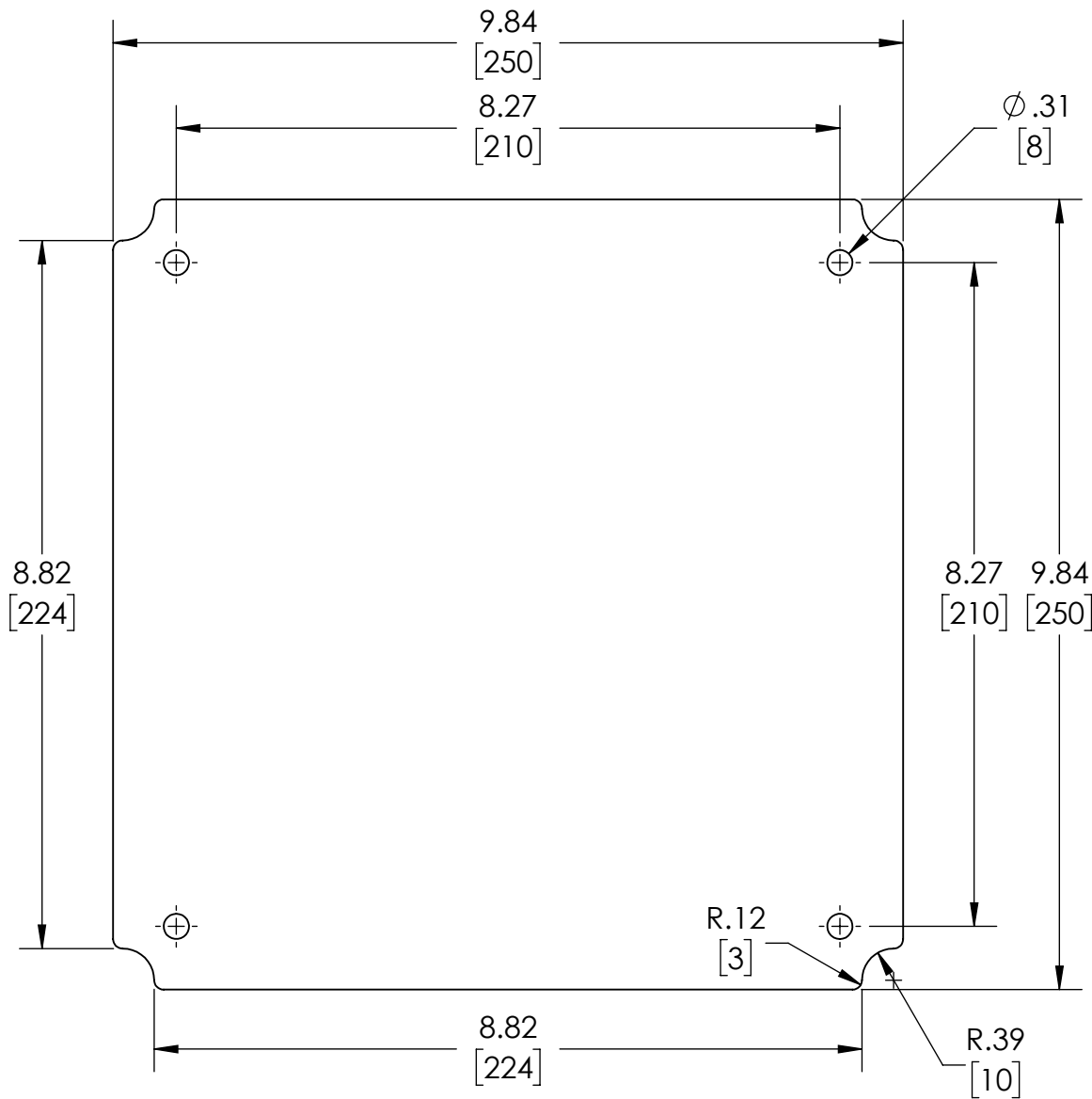
PTX-25342

REV. DATE

6-20-19

DRAWING FOR REFERENCE

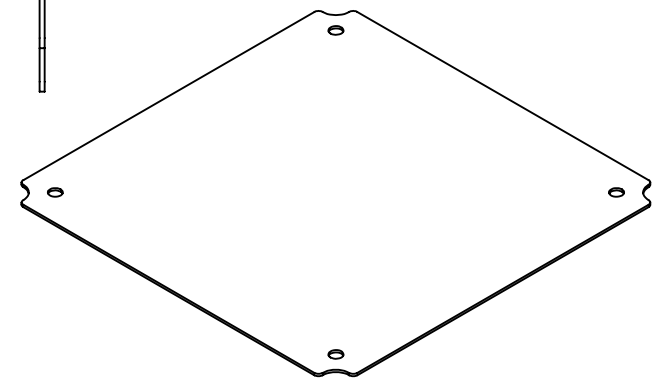
WE RESERVE THE RIGHT TO MAKE CHANGES TO OUR STANDARD PRODUCTS. PLEASE CONSULT WITH BUD INDUSTRIES PRIOR TO USING THIS DRAWING FOR DESIGN PURPOSE.



MATERIAL: 16 GA. [1.5mm] C.R.S.

FINISH: ZINC PLATED

DIMENSIONS ARE INCH [MM]



PANEL FITS ENCLOSURE: #PTS-25342 & #PTS-25342-C
(MOUNTING HARDWARE SUPPLIED WITH ENCLOSURE)