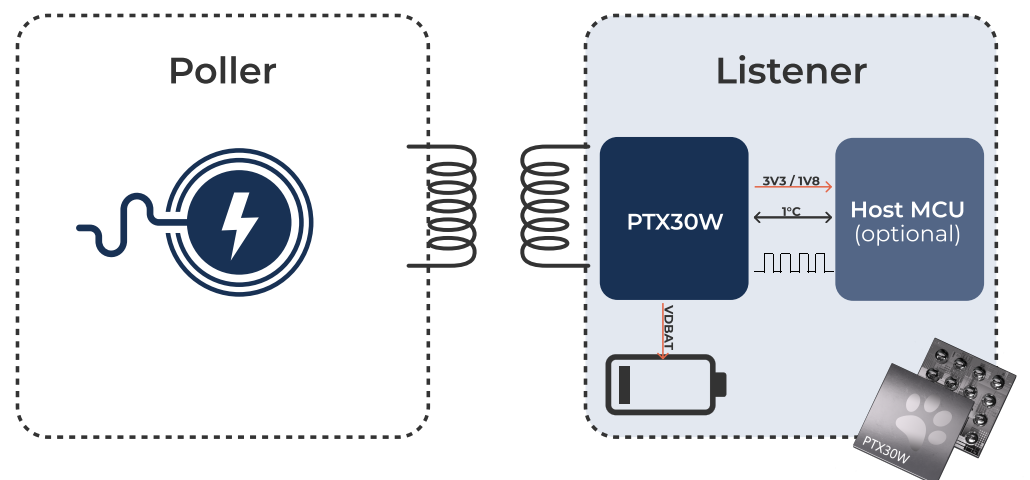




## PTX30W: Panthronics groundbreaking, innovative, and fully integrated NFC Wireless Charging Listener chip

- Compact standalone NFC wireless charging listener integrating NFC tag with digital interface, power harvesting, and battery charger
- Fully autonomous listener operation with on-chip power regulation control
- Protocol following NFC Forum wireless charging specifications

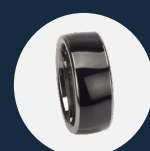
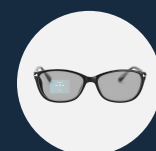


**PTX30W** is the first ever device to provide fully integrated wireless charging listener solution.

PTX30W targets to provide customers with increased system efficiency and a compact design.

### Applications:

- Stylus
- Smart ring
- Smart glasses
- Wearable devices
- Hearing aid
- Medical sensors



<b>Requirement</b>	<b>Product feature</b>	<b>Product benefit</b>
<b>BOM reduction</b>	Integrated NFC Tag, active rectifier, limiter, battery charger and dedicated core	All functionalities integrated into 16 pin WL-CSP package 1.78x1.78mm
<b>Standalone operation</b>	Integrated protocol handling	NFC Forum WLC protocol with negotiated mode
<b>Lithium battery charging</b>	Integrated linear battery charger	Charging current from 5mA to 250mA
<b>Overpower protection</b>	Integrated detuning circuit	Prevent dissipation of over power on the IC, by detuning the antenna
<b>Minimized power dissipation</b>	Advanced power regulation	Power regulation algorithm based on battery voltage measurement
<b>Shipping mode</b>	Integrated power down mode	Shipping mode with current consumption < 100nA
<b>Data exchange</b>	Integrated dedicated data exchange buffer	Bidirectional data exchange based on NFC Type A 106kbps
<b>GPIO control</b>	Multifunction GPIOs	Two GPIOs which can be configured for different functions
<b>NDEF message</b>	Type 2 Tag NDEF	NDEF message exchange with a mobile phone