

Monitoring Relays 1-Phase True RMS AC/DC Over and Under Voltage Types DUC01, PUC01



DUC01



PUC01

- TRMS AC/DC over+under, over+over or under+under voltage monitoring relays
- Selection of measuring range by DIP-switches
- Measuring ranges from 2 to 500 V AC/DC
- Adjustable voltage on relative scale
- Adjustable hysteresis on relative scale
- Adjustable delay function (0.1 to 30 s)
- Programmable latching or inhibit at set level
- Output: 1 or 2 x 8 A SPDT relay N.D. or N.E. selectable
- For mounting on DIN-rail in accordance with DIN/EN 50 022 (DUC01) or plug-in module (PUC01)
- 45 mm Euronorm housing (DUC01) or 36 mm plug-in module (PUC01)
- LED indication for relay, alarm and power supply ON
- Galvanically separated power supply

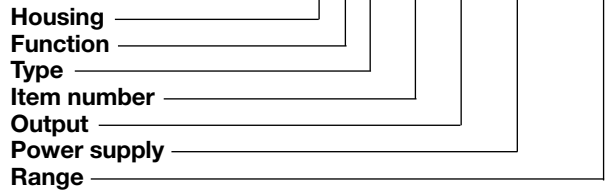
Product Description

DUC01 and PUC01 are precise TRMS AC/DC over+under, over+over or under+under voltage (selectable by DIP-switch) monitoring relays. The voltage levels are adjustable separately and have their own time delay.

Owing to the built-in latch function, the ON-position of the relay output can be maintained. Inhibit function can be used to avoid relay operation when not desired (maintenance, transitions). The LED's indicate the state of the alarm and the output relay.

Ordering Key

DUC 01 D B23 500V



Type Selection

Mounting	Output	Supply: 24 to 48 VAC/DC	Supply: 115/230 VAC
DIN-rail	2xSPDT	DUC 01 D D48 500V	DUC 01 D B23 500V
Plug-in	SPDT	PUC 01 C D48 500V	PUC 01 C B23 500V

Input Specifications

Input (voltage level) DUC01 PUC01	Terminals Y1, Y2 Terminals 5, 7	
Measuring ranges Direct Selectable by DIP-switch 2 to 20 V AC/DC 5 to 50 V AC/DC 20 to 200 V AC/DC 50 to 500 V AC/DC	Internal resist.	Max. volt.
	> 500 kΩ	350 V
	> 500 kΩ	350 V
	> 500 kΩ	600 V
	> 500 kΩ	600 V
Max. voltage for 1 s		1000 V
Note: The input voltage cannot raise over 300 VAC/DC with respect to ground (PUC01 only)		
Contact input DUC01 PUC01 Disabled Enabled Latch disable	Terminals Z1, Y1 Terminals 8, 9 > 10 kΩ < 500 Ω > 500 ms	

Output Specifications

Output	2 x SPDT relays (DUC01) 1 x SPDT relays (PUC01)
Rated insulation voltage	250 VAC
Contact ratings (AgSnO ₂)	μ
Resistive loads AC 1	8 A @ 250 VAC
DC 12	5 A @ 24 VDC
Small inductive loads AC 15	2.5 A @ 250 VAC
DC 13	2.5 A @ 24 VDC
Mechanical life	≥ 30 x 10 ⁶ operations
Electrical life	≥ 10 ⁵ operations (at 8 A, 250 V, cos φ = 1)
Operating frequency	≤ 7200 operations/h
Dielectric strength	
Dielectric voltage	≥ 2 kVAC (rms)
Rated impulse withstand volt.	4 kV (1.2/50 μs)

Supply Specifications

Power supply Rated operational voltage through terminals: A1, A2 or A3, A2 (DUC01) 2, 10 or 11, 10 (PUC01) D48: B23:	Overvoltage cat. III (IEC 60664, IEC 60038) 24 to 48 VAC ± 15% 45 to 65 Hz, insulated 115/230 VAC ± 15% 45 to 65 Hz, insulated	
Dielectric voltage Supply to input Supply to output Input to output	DC supply	AC supply
	2 kV 4 kV 4 kV	4 kV 4 kV 4 kV
Rated operational power AC DC	5 VA 3 W	

General Specifications

Power ON delay	1 s ± 0.5 s or 6 s ± 0.5 s
Reaction time Alarm ON delay Alarm OFF delay	(input signal variation from -20% to +20% or from +20% to -20% of set value) < 100 ms < 100 ms
Accuracy Temperature drift Delay ON alarm Repeatability	(15 min warm-up time) ± 1000 ppm/°C ± 10% on set value ± 50 ms ± 0.5% on full-scale

Mode of Operation

DUC01 and PUC01 monitor both AC and DC over+under, over+over or under+under voltage.

Example 1

(no contact input - under+over voltage - 2 x SPDT relays (1 x SPDT for PUC01))

DUC01: One relay operates when the voltage drops below the under voltage set point for more than the respective delay time. It releases when the voltage exceeds the set level plus the set hysteresis. The other relay operates when the voltage exceeds the over voltage set point for more than the respective delay time. It releases when the voltage drops below the set level minus hysteresis (the

hysteresis is the same for both set levels).

PUC01: The relay operates when the voltage drops below the under voltage set level for more than the respective set delay time or when it exceeds the over voltage set level for more than the respective set delay time. The relay releases when the voltage exceeds the under voltage set level plus hysteresis and it drops below the over voltage set level minus hysteresis (the hysteresis is the same for both set levels).

Example 2

(latch enabled active - under+ under voltage - 2 x SPDT relays (1 x SPDT for PUC01))

DUC01: Each relay operates

General Specifications (cont.)

Indication for Power supply ON Alarm ON Output relay ON		LED, green LED, red (flashing 2 Hz during delay time) 1 or 2 x LED, yellow
Environment Degree of protection Pollution degree Operating temperature Storage temperature		(EN 60529) IP 20 3 (DUC01), 2 (PUC01) -20 to 60°C, R.H. < 95% -30 to 80°C, R.H. < 95%
Housing Dimensions Material	DUC01 PUC01	45 x 80 x 99.5 mm 36 x 80 x 94 mm PA66 or Noryl
Weight		Approx. 250 g
Screw terminals Tightening torque		Max. 0.5 Nm acc. to IEC 60947
Product standard		EN 60255-6
Approvals		UL, CSA
CE Marking EMC Immunity Emissions		L.V. Directive 2006/95/EC EMC Directive 2004/108/EC According to EN 60255-26 According to EN 61000-6-2 According to EN 60255-26 According to EN 61000-6-3

Example 3

(inhibit enable active - over+over voltage - DPDT relay (1 x SPDT for PUC01))

Provided that the contact input is opened, the relay operates when the voltage exceeds the lower set level for more than the respective delay time. It releases when the voltage drops below the lower set level (see hysteresis) or when the contact input's pins are connected.

Note:

When the inhibit contact is opened, if the input signal is already in alarm position, the delay time needs to elapse before relay(s) activation.

Function/Range/Level and Time Delay Setting

Adjust the input range setting the DIP switches 1 and 2 of the main black selector as shown below.

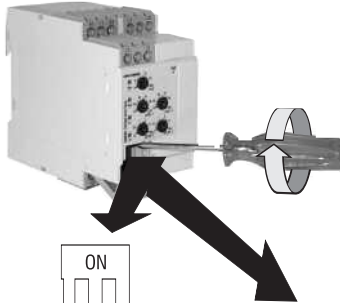
Select the desired function setting the DIP switches 3 to 6 of the black selector and 1, 2 of the small red selector as shown below.

To access the DIP switches open the grey plastic cover as shown below

Upper knob:
Setting of hysteresis on relative scale: 0 to 30% on set value.

Centre knobs:
Voltage level setting on relative scale: 10 to 110% on full scale.

Lower knobs:
Setting of delay on alarm time on absolute scale (0.1 to 30 s).



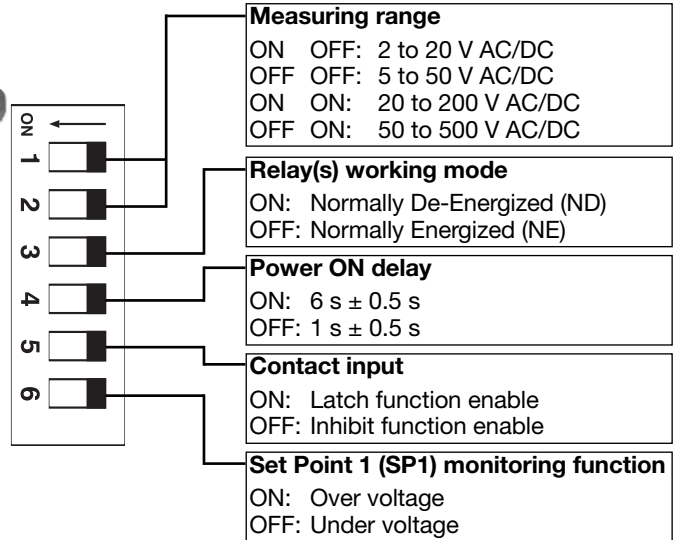
Selection of level, time delay and hysteresis:

Set Point 2 (SP2) monitoring function

ON: Over voltage
OFF: Under voltage

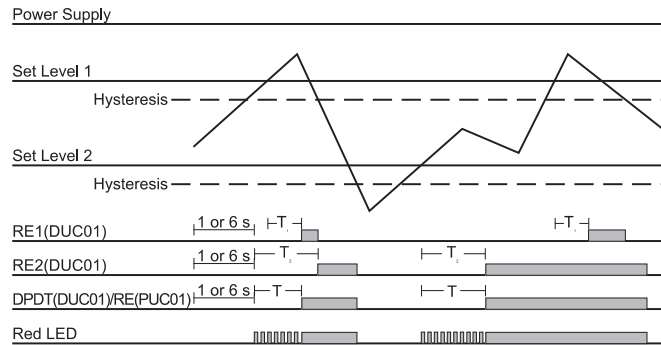
Relay(s) coupling

ON: 2 x SPDT (DUC01 only)
OFF: 1 x DPDT (DUC01, PUC01)

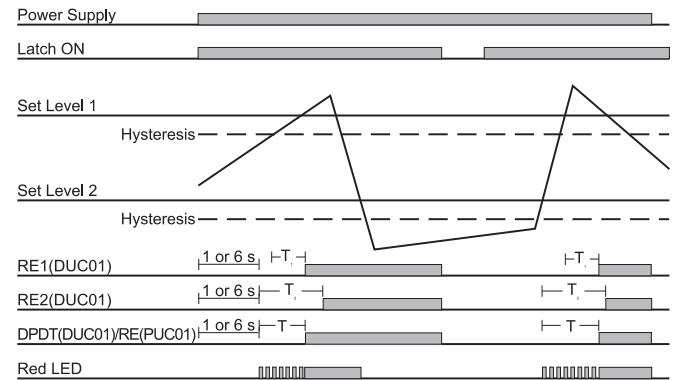


Operation Diagrams

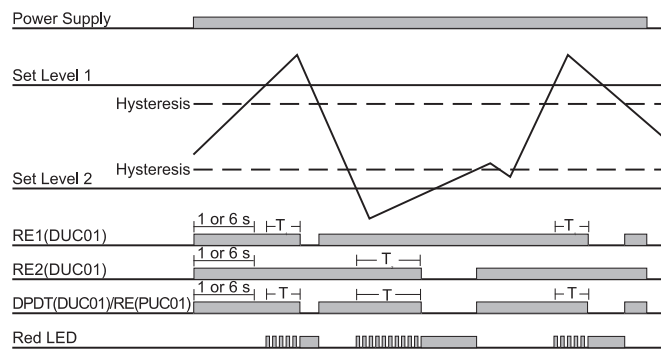
Over+over voltage - N.D. relay(s)



Over+over voltage - Latch - N.D. relay(s)



Over+under voltage - N.D. relay(s)



Over+under voltage - Latch - N.D. relay(s)

