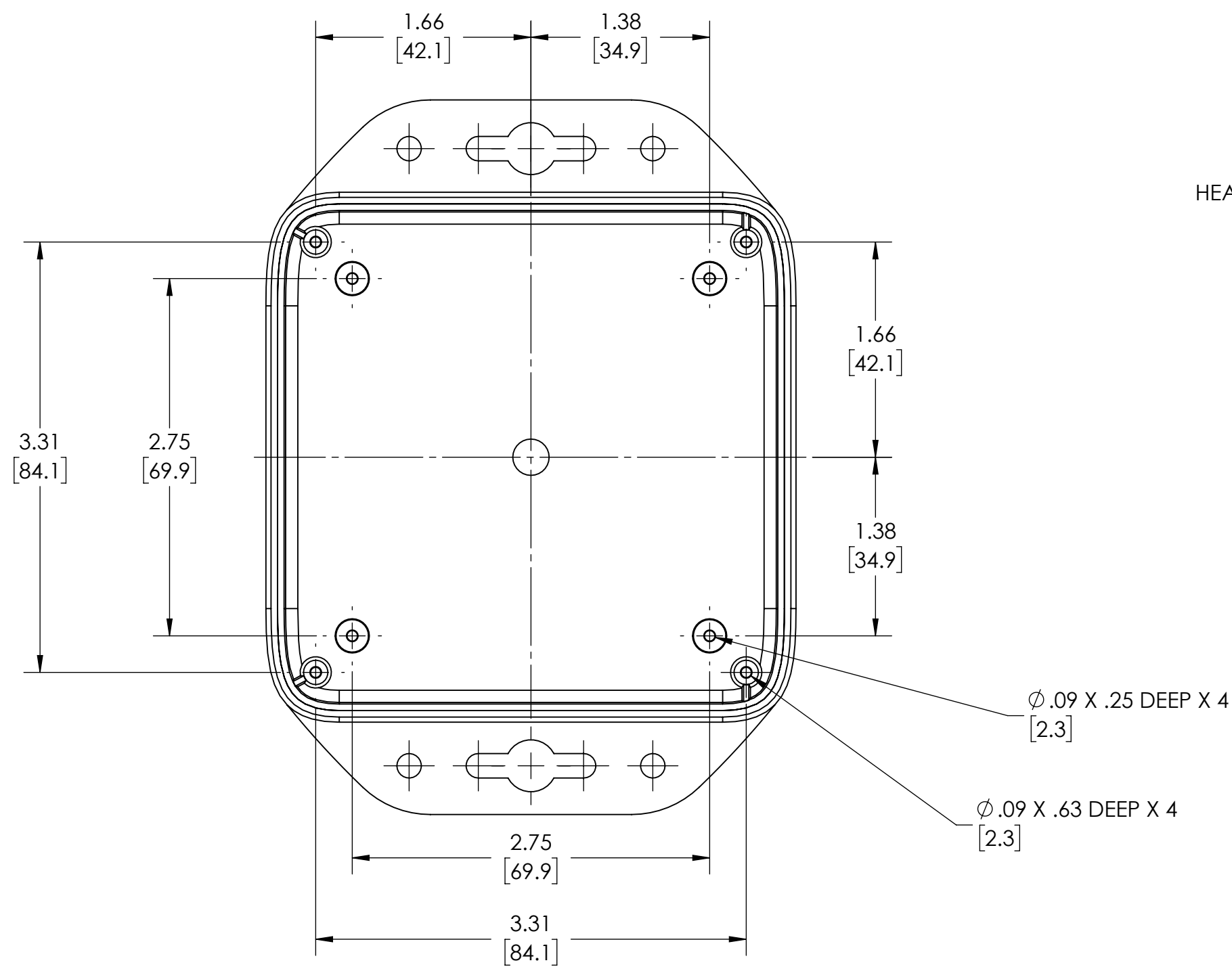


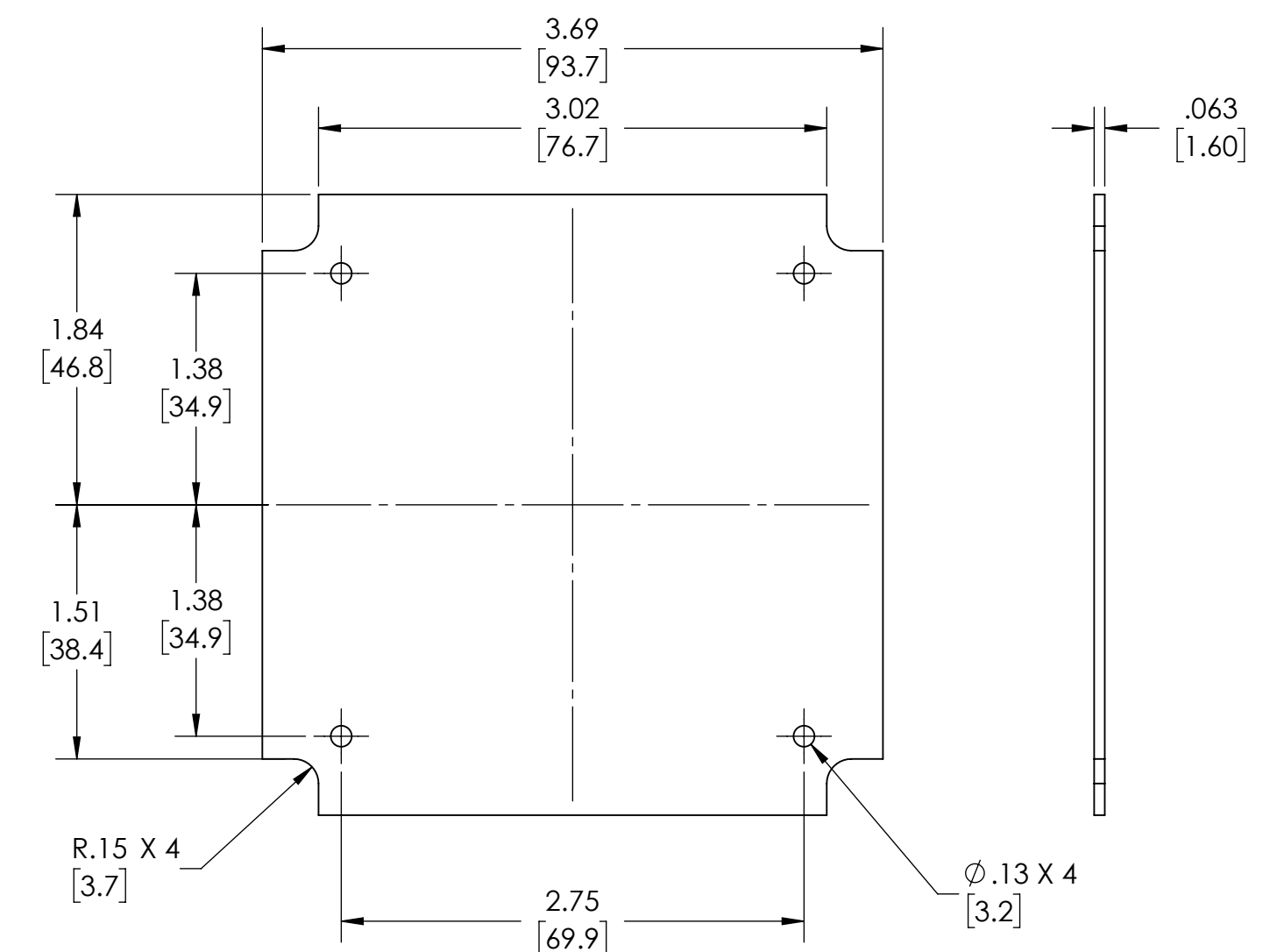
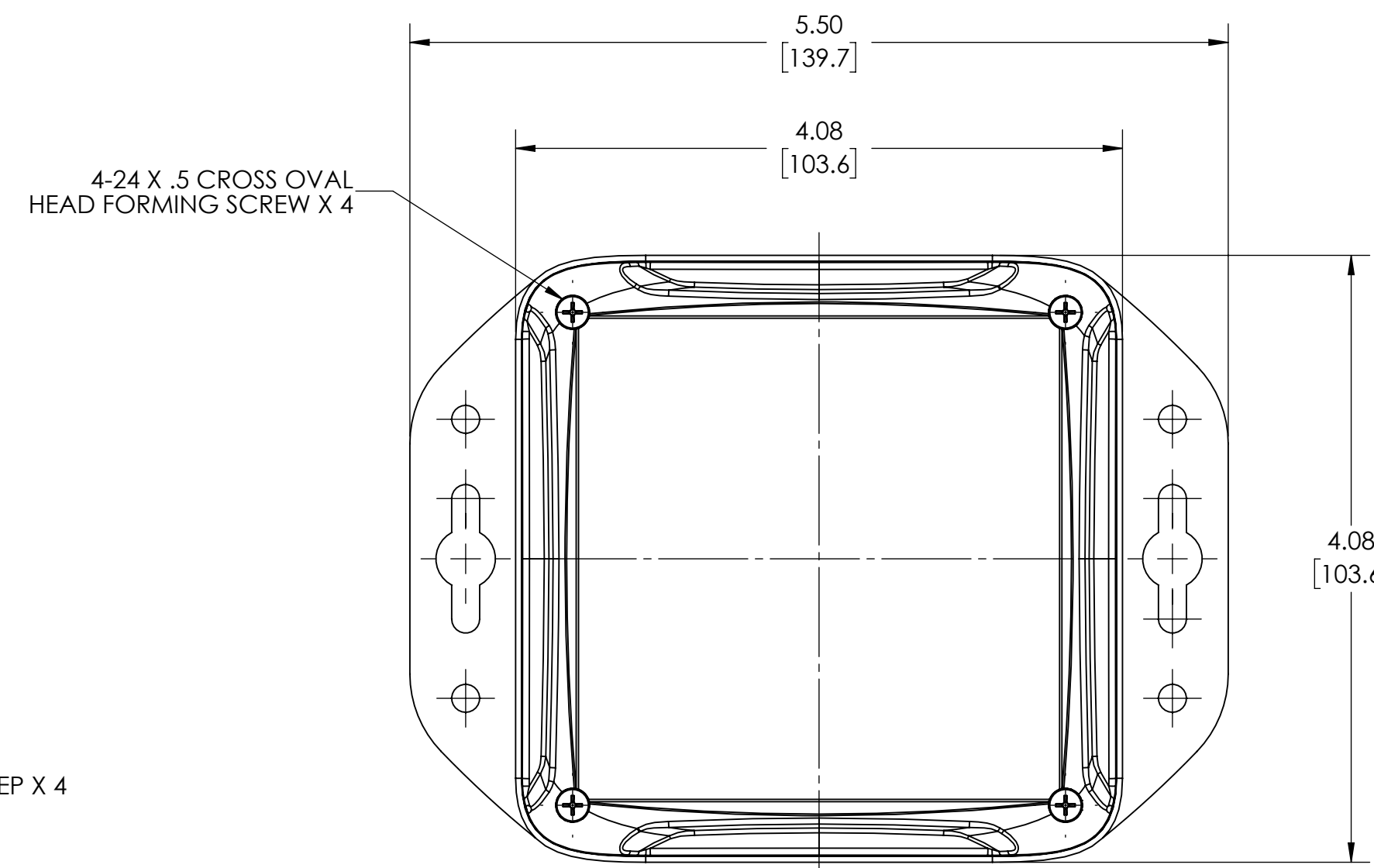
NOTES:

1. MATERIAL:  
BODY- BLACK ABS POLYAC PA-765  
COVER- BLACK ABS POLYAC PA-765  
TEXTURED/FLUSH OR RECESSED SMOOTH
2. UL94 VO(1.5mm) AND 5VA (3mm) FLAMMABILITY RATING.
3. COVER IS REMOVABLE
4. DIMENSIONS ARE INCH [MM]

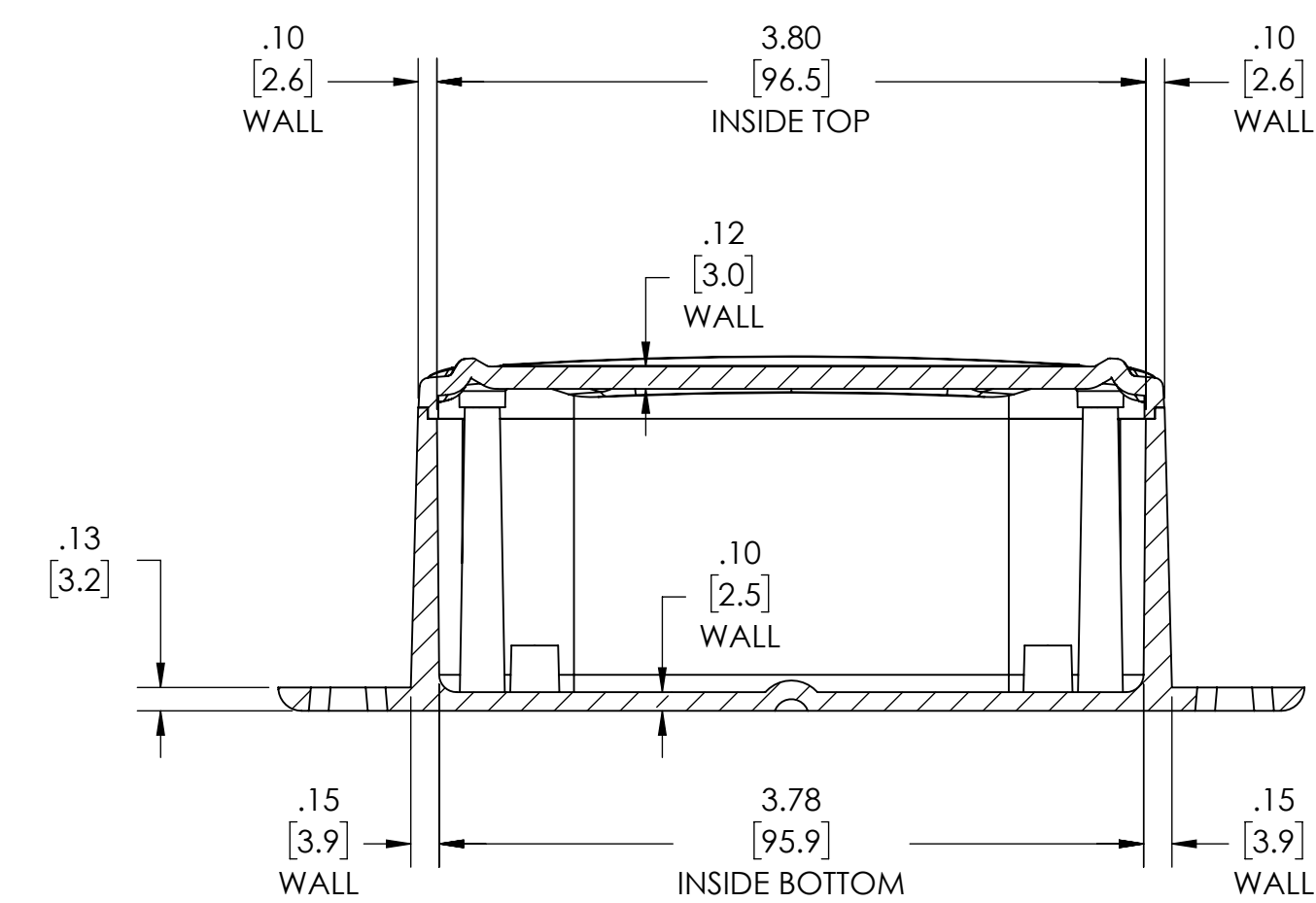
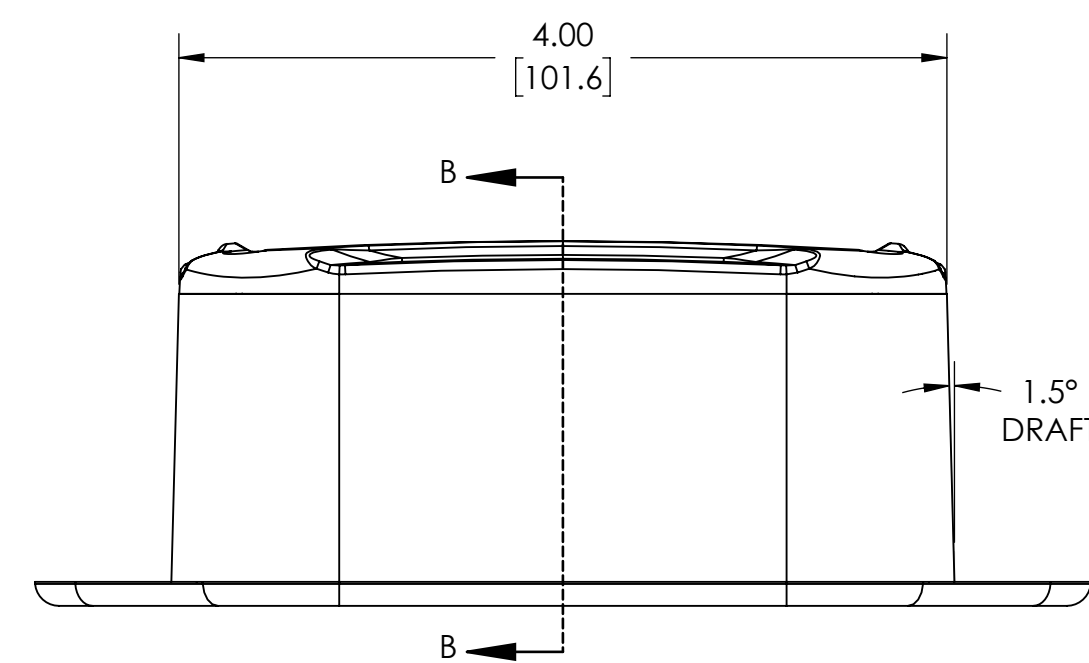
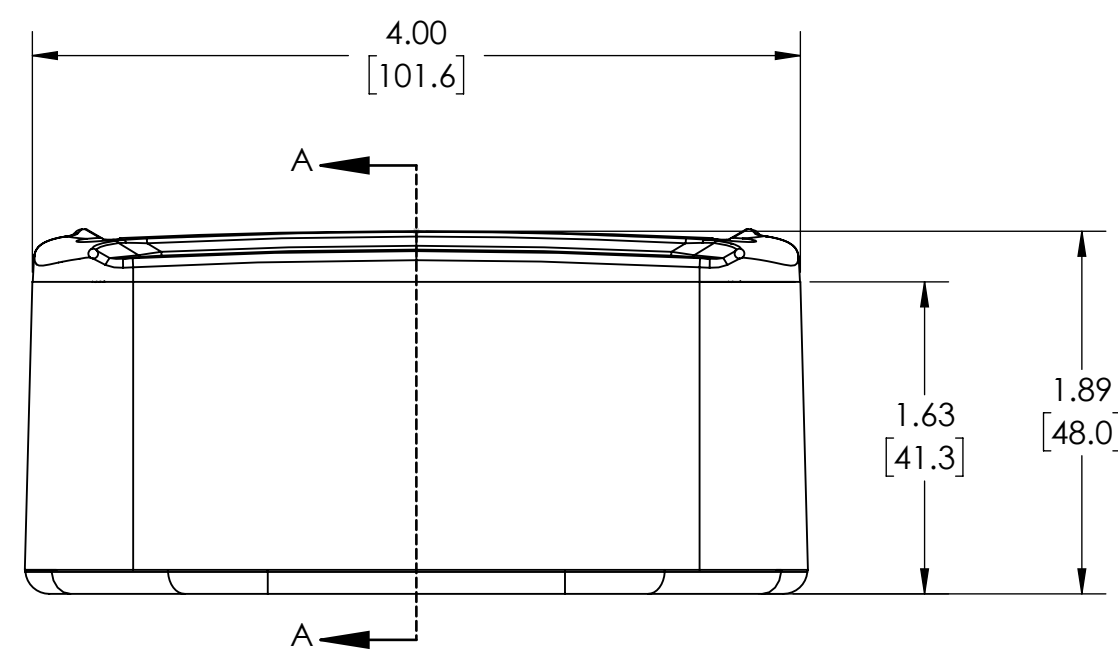
**DRAWING FOR REFERENCE**  
WE RESERVE THE RIGHT TO MAKE CHANGES TO OUR STANDARD PRODUCTS. PLEASE CONSULT WITH BUD INDUSTRIES PRIOR TO USING THIS DRAWING FOR DESIGN PURPOSE.



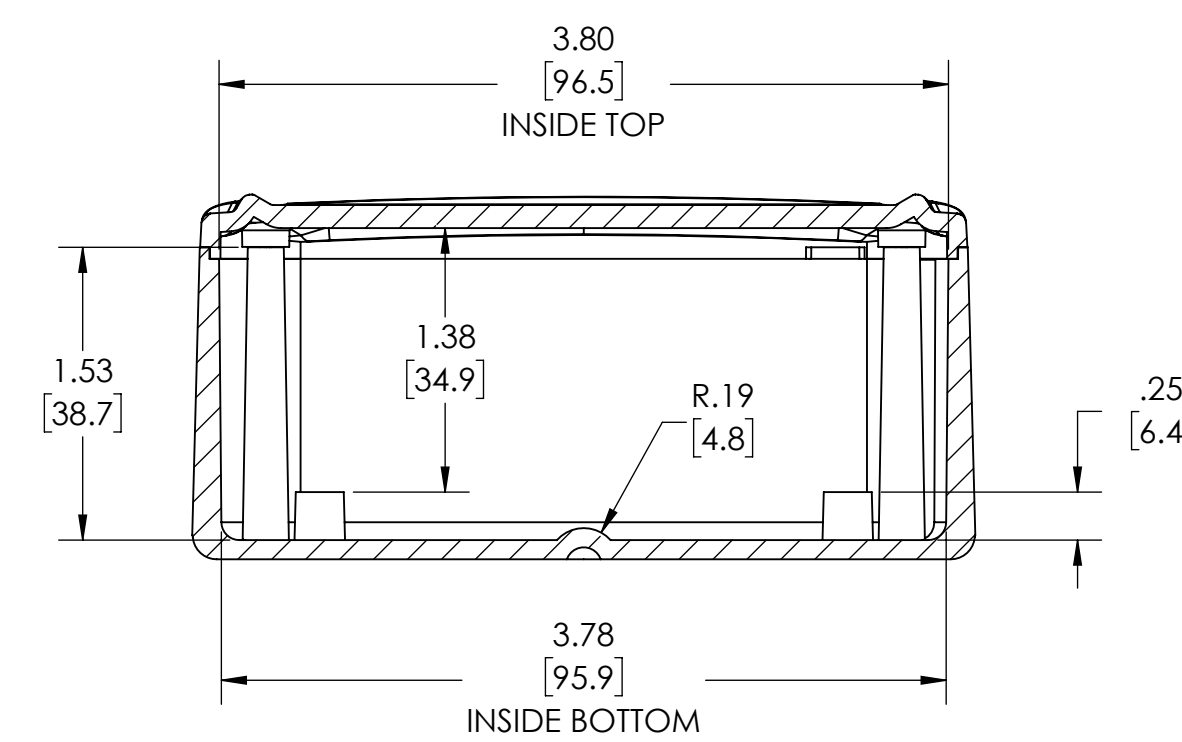
INSIDE VIEW OF BODY  
COVER NOT SHOWN



SUGGESTED PCB LAYOUT



SECTION A-A



SECTION B-B

