

PWS-472

5" Industrial-Grade Handheld Terminal with ARM® Cortex™-A53 Quad-Core Processor



Features

- ARM® Cortex™-A53, quad-core, 1.3 GHz processor with Android 5.1
- 5" HD (1280 x 720) capacitive touchscreen
- Lightweight design (295 g)
- IP65 rated for protection from water and dust
- Wide operating temperature range (-20 ~ 60 °C/-4 ~ 140 °F)
- Wi-Fi, Bluetooth, GPS, BeiDou, and 4G LTE communication capabilities
- 13-megapixel auto-focus camera and optional 1D/2D barcode scanner



Introduction

PWS-472 is an industrial-grade handheld terminal equipped with an ARM® Cortex™-A53, quad-core, 1.3 GHz processor and a 5" HD (1280 x 720) capacitive touchscreen. The inclusion of Wi-Fi (802.11 a/b/g/n), Bluetooth, GPS, and WWAN communication technologies ensures high connectivity, while the 1D/2D barcode scanner and 13-megapixel camera with auto-focus provide convenient data collection tools. To withstand operation in harsh environments, PWS-472 is IP65 rated for protection from water and dust ingress, making it ideal for retail, warehouse, and manufacturing applications.

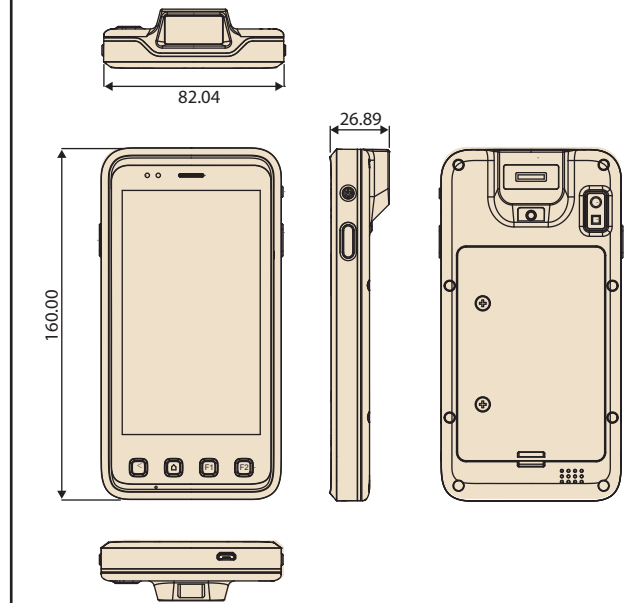
Specifications

System	Processor	ARM® Cortex™-A53, quad-core, 1.3 GHz
	Memory	2 GB
	Operating System	Android 5.1
Storage	Flash	16 GB
	SD Card	MicroSD (up to 32 GB)
Display	Type	5" LCD
	Resolution	1280 x 720 HD
	Brightness	350 cd/m ²
Touchscreen	Type	Projective capacitive
	Construction	GFF
Multimedia	Speaker	1 x Internal 1W speaker
	Microphone	1 x Internal microphone
Camera	Rear	1 x 13 MP camera with LED flash and auto focus
Sensors		E-compass, g-sensor, light sensor
I/O	I/O Ports	1 x Micro USB 2.0 client (via charging cable) 1 x Standard SIM
	Buttons	1 x Power button 2 x Scanner trigger buttons 4 x Function keys
Wireless Communication	WLAN/Bluetooth	IEEE 802.11 a/b/g/n Bluetooth V4.0 BLE
	NFC	Compatible with ISO 15693, ISO 14443A/B, MIFARE®
	WWAN (Optional)*	LTE: B1, B3, B38, B39, B40, B41
GNSS	Satellite System	GPS, GLONASS, Galileo, and BeiDou
Scan Engine		Honeywell N3680 (LED aimer): PWS-472-C10E/C12; Zebra SE4750 (laser aimer): PWS-472-C13
Power System	Voltage Input	5V, 2A
	Battery	3.7V 3200mAh lithium-polymer battery (swappable)
Mechanical	Dimensions (W x D x H)	82.04 x 160 x 26.89 mm (3.22 x 6.29 x 1.05 in)
	Weight	295 g (0.650 lbs) with battery
Environment	Operating Temperature	-20 ~ 60 °C/-4 ~ 140 °F (0 ~ 40 °C/32 ~ 104 °F when charging)
	Storage Temperature	-30 ~ 70 °C/-22 ~ 158 °F
	IP Rating	IP65
	Safety	CB, CCC, BSMI
	Certifications	CE, FCC, CCC, BSMI, KC

* WWAN not available in the USA.

Dimensions

Unit: mm



Ordering Information

Part Number	Configuration											
	CPU	LCD	Memory	Storage	Rear CAM	Wi-Fi	BT	GNSS	4G	NFC	Barcode Scanner	OS
PWS-472-C10E	Cortex-A53	5"	2GB	16GB	Yes	Yes	Yes	Yes	Yes	Yes	Yes (Honeywell N3680)	Android 5.1
PWS-472-C12	Cortex-A53	5"	2GB	16GB	Yes	Yes	Yes	Yes	N/A	Yes	Yes (Honeywell N3680)	Android 5.1
PWS-472-C13	Cortex-A53	5"	2GB	16GB	Yes	Yes	Yes	Yes	Yes	Yes	Yes (Zebra SE4750)	Android 5.1
PWS-472-C20E	Cortex-A53	5"	2GB	16GB	Yes	Yes	Yes	Yes	Yes	Yes	N/A	Android 5.1

Packing List

Description
1 x 3.7V 3200mAh lithium-polymer battery
1 x AC/DC adapter
1 x USB to micro USB cable
1 x Hand strap

PWS-472 with Infrared Thermometer

5" Industrial-Grade Handheld Terminal with ARM® Cortex™-A53 Quad-Core Processor and Infrared Thermometer



Features

- Integrated infrared thermometer supports rapid temperature data collection and storage
- ARM® Cortex™-A53, quad-core, 1.3 GHz processor with Android 5.1
- 5" HD (1280 x 720) display with projected capacitive multi-touch control
- Screwless battery design for convenient swapping
- 1D/2D barcode scanner and 13-megapixel auto-focus camera for data collection
- Wi-Fi, Bluetooth, GPS, and BeiDou communication capabilities
- Wide operating temperature range (-20 ~ 60 °C/-4 ~ 140 °F)
- IP65 rated for protection from water and dust

Introduction

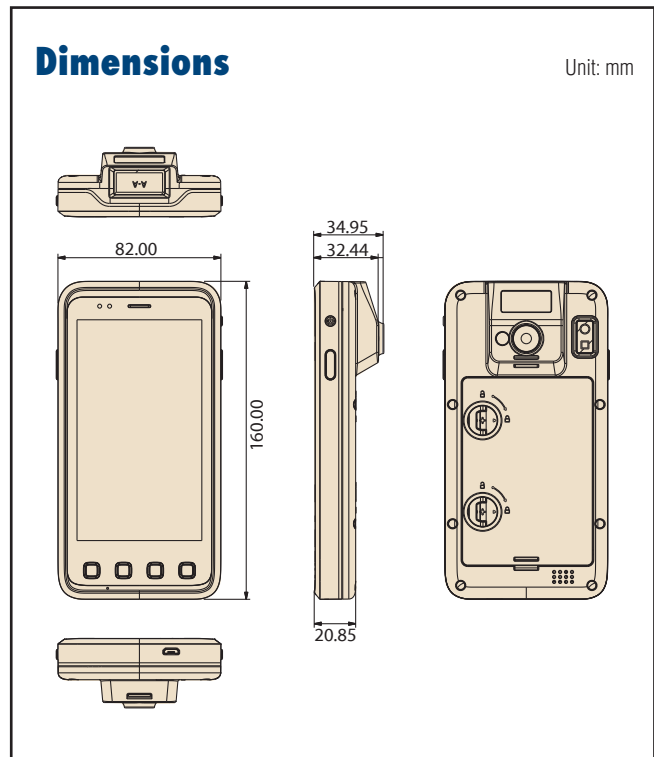
The PWS-472 with infrared thermometer is an industrial-grade handheld terminal equipped with an ARM® Cortex™-A53, quad-core, 1.3 GHz processor and 5" HD (1280 x 720) projective capacitive touchscreen, as well as integrated infrared thermometer, which provides an effective tool for temperature management. The inclusion of Wi-Fi (802.11 a/b/g/n), Bluetooth, GPS, and WWAN communication technologies ensures high connectivity, while the 1D/2D barcode scanner and 13-megapixel camera with auto-focus provide convenient data collection tools. To withstand operation in harsh environments, PWS-472 is IP65 rated for protection from water and dust ingress, making it ideal for retail, warehouse, and manufacturing applications.

Specifications

Core	Processor	ARM® Cortex™-A53, quad-core, 1.3 GHz
	Memory	2 GB
	Operating System	Android 5.1
Storage	Flash	16 GB
	SD Card	MicroSD (up to 32 GB)
Display	Type	5" IPS LCD
	Resolution	HD 1280 x 720
	Brightness	350 cd/m ²
Touchscreen	Type	Projective capacitive multi-touch
	Construction	GFF
Multimedia	Speaker	1 x Internal 1W speaker
	Microphone	1 x Internal microphone
Camera	Rear	1 x 13 MP camera with LED flash and auto focus
Sensors		E-Compass, G-Sensor
I/O Interface	Standard I/O Port	1 x Micro USB 2.0 client (via charging cable) 1 x Standard SIM
	Button	1 x Power button 2 x Scanner trigger buttons 4 x Function keys
Wireless Communication	WLAN/Bluetooth	IEEE 802.11 a/b/g/n Bluetooth 4.0 BLE
	NFC	Compatible with ISO 15693, ISO 14443A/B MIFARE
	WWAN	LTE, B1, B3, B38, B39, B40, B41
IR Thermometer	Thermometer	Infrared thermometer
	Object Temperature Range	-40 ~ 120 °C (-40 ~ 248 °F)
	Temperature Accuracy	±2 °C (35.6 °F)
	Measurement Distance	< 30 cm (11.8 in)
GNSS	Satellite System	GPS, GLONASS, Galileo, BeiDou
Power System	Voltage Input	5V, 2A
	Battery	3.7V 3200mAh lithium-polymer battery (swappable)
Mechanical	Dimensions (W x D x H)	160 x 82 x 34.95 mm (6.2 x 3.22 x 1.38 in)
	Weight	302 g (0.66 lb) with battery
Environment	Operating Temperature	-20 ~ 60 °C/-4 ~ 140 °F (0 ~ 40 °C/32 ~ 104 °F when charging)
	Storage Temperature	-30 ~ 70 °C/-22 ~ 158 °F
	IP Rating	IP65

Dimensions

Unit: mm



Ordering Information

Part Number	CPU	LCD	Memory	Storage	Rear CAM	Wi-Fi	Configuration						
							BT	GNSS	4G	NFC	TMR	Barcode Scanner	OS
PWS-472-C40	Cortex-A53	5"	2 GB	16 GB	Yes	Yes	Yes	Yes	Yes	Yes	Yes	Yes (SE4750)	Android 5.1

Packing List

Part Number	Description
PWS-472-BAT100E	1 x 3.7V 3200mAh lithium-polymer battery
N/A	1 x Hand strap
N/A	1 x USB to Micro USB cable
N/A	1 x USB adapter

PWS-472 UHF RFID Reader

5" Industrial-Grade Handheld Terminal with
ARM® Cortex™-A53 Quad-Core Processor and
UHF RFID Reader



Features

- ARM® Cortex™-A53, quad-core, 1.3 GHz processor with Android 5.1
- 5" HD (1280 x 720) capacitive touchscreen
- Communication capabilities includes Wi-Fi, Bluetooth, GPS, and BeiDou
- Built-in 13-megapixel auto-focus camera and 1D/2D barcode scanner
- Long-range UHF RFID capabilities (compatible with EPC C-1 G-2/ISO 18000-6C)
- User-friendly trigger button
- IP54 rated for protection from water and dust
- Wide operating temperature range (-20 ~ 60 °C)

Introduction

PWS-472 UHF RFID reader is designed for wireless long-range data collection. Compliant with EPC C-1 G-2/ISO18000-6C standards, the industrial-grade design is ideal for diverse warehouse, manufacturing, and logistics applications.

Specifications

System	Processor	ARM® Cortex™-A53, quad-core, 1.3 GHz
	Memory	2 GB
	Operating System	Android 5.1
Storage	Flash	16 GB
	SD Card	MicroSD (up to 32 GB)
Display	Type	5" IPS LCD
	Resolution	1280 x 720 HD
	Brightness	350 cd/m²
Touchscreen	Type	Capacitive touch
	Construction	GFF
Multimedia	Speaker	1 x Internal 1W speaker
	Microphone	1 x Internal microphone
Camera	Rear	1 x 13 MP camera with LED flash and auto focus
Sensors		E-compass, g-sensor, light sensor
I/O	I/O Ports	1 x Micro USB 2.0 client (via charging cable) 1 x Standard SIM
	Buttons	1 x Power button 2 x Scanner trigger buttons 4 x Function keys
Wireless Communication	WLAN/Bluetooth	IEEE 802.11 a/b/g/n Bluetooth V4.0 BLE
	UHF RFID	Standard support: EPC C-1 G-2/ISO18000-6C Frequency range: 840 ~960 MHz Output power: 30dBm
GNSS	Satellite System	GPS, GLONASS, Galileo, and BeiDou
Power System	Voltage Input	5V, 2A
	Battery	3.7V 9600mAh lithium-polymer battery (Non swappable)
Mechanical	Dimensions (W x D x H)	160 x 150 x 80 mm (6.29 x 5.9 x 3.14 in)
	Weight	650 g (1.43 lbs) with battery
Environment	Operating Temperature	-20 ~ 60 °C/-4 ~ 140 °F (0 ~ 40 °C/32 ~ 104 °F when charging)
	Storage Temperature	-30 ~ 70 °C/-22 ~ 158 °F
	IP Rating	IP54
	Certification	By project request

Ordering Information

Part Number	Configuration												
	CPU	LCD	Memory	Storage	Rear CAM	Wi-Fi	BT	GNSS	4G	NFC	UHF RFID	Barcode Scanner	OS
PWS-472-C30E	Cortex-A53	5"	2 GB	16 GB	Yes	Yes	Yes	Yes	N/A	N/A	Yes	Yes (Honeywell N3680)	Android 5.1

The UHF SKU is available upon request.

