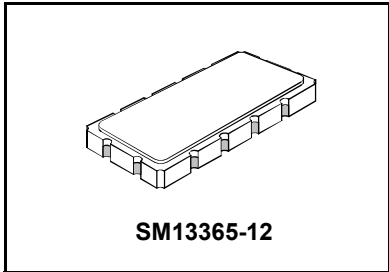


- *Designed for TDMA IS-54 Receiver IF Applications*
- *Low Insertion Loss*
- *Excellent Selectivity*
- *Hermetic 13.3 X 6.5 mm Surface-mount Case*
- *Unbalanced Input and Output*
- *Complies with Directive 2002/95/EC (RoHS)*
- *AEC-Q200 Qualified*

RoHS  
Compliant

PX1002

86.85 MHz  
SAW Filter



**Absolute Maximum Ratings**

Rating	Value	Units
Maximum Incident Power in Passband	+10	dBm
Maximum DC Voltage Between any 2 terminals	30	VDC
Storage Temperature Range	-40 to +85	°C
Suitable for Lead-free Soldering - Maximum Soldering Profile	260 °C for 30 s	

**Electrical Characteristics**

Characteristic	Sym	Notes	Min	Typ	Max	Units
Nominal Center Frequency	$f_C$		86.850			MHz
Passband	Insertion Loss at fc 3 dB Passband	IL		3	4.0	dB
		$BW_3$	$\pm 12$	$\pm 25$		kHz
	Amplitude Ripple over fc $\pm 15$ kHz				1.0	dB <sub>P-P</sub>
	Group Delay Variation over fc $\pm 10$ kHz	GDV			6.0	$\mu$ s <sub>P-P</sub>
Third-Order Intermod. for -20 dBm tones at fc $\pm 60$ & 120 kHz					-95	dBm
Rejection	fc $\pm 60$ kHz fc -880 kHz to fc -940 kHz Ultimate		11	16		dB
			65			
				65		
Operating Temperature Range	$T_A$		-20		+70	°C

Impedance Matching to 50 $\Omega$ unbalanced	External L-C
Case Style	SM13365-12 13.3 X 6.5 mm Nominal Footprint
Lid Symbolization (YY=year, WW=week, s=shift)	RFM PX1002 YYWWS
Standard 7" Reel Quantity	500 units
Standard 13" Reel Quantity	1000 units

**Electrical Connections**

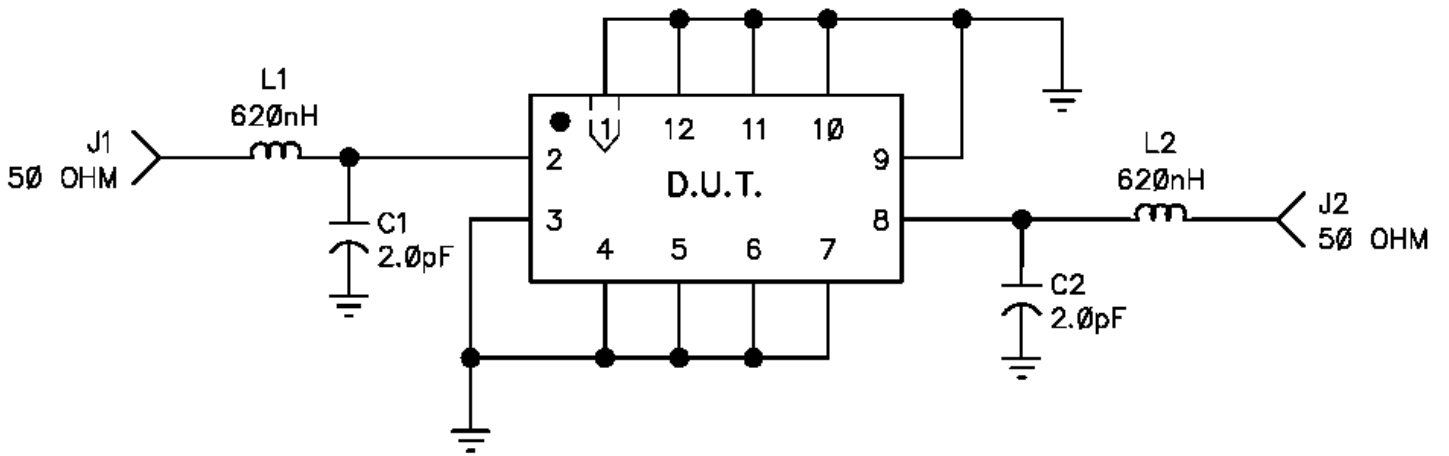
Connection	Terminals
Port 1 Hot	2
Port 1 Gnd Return	3
Port 2 Hot	8
Port 2 Gnd Return	9
Case Ground	All Others

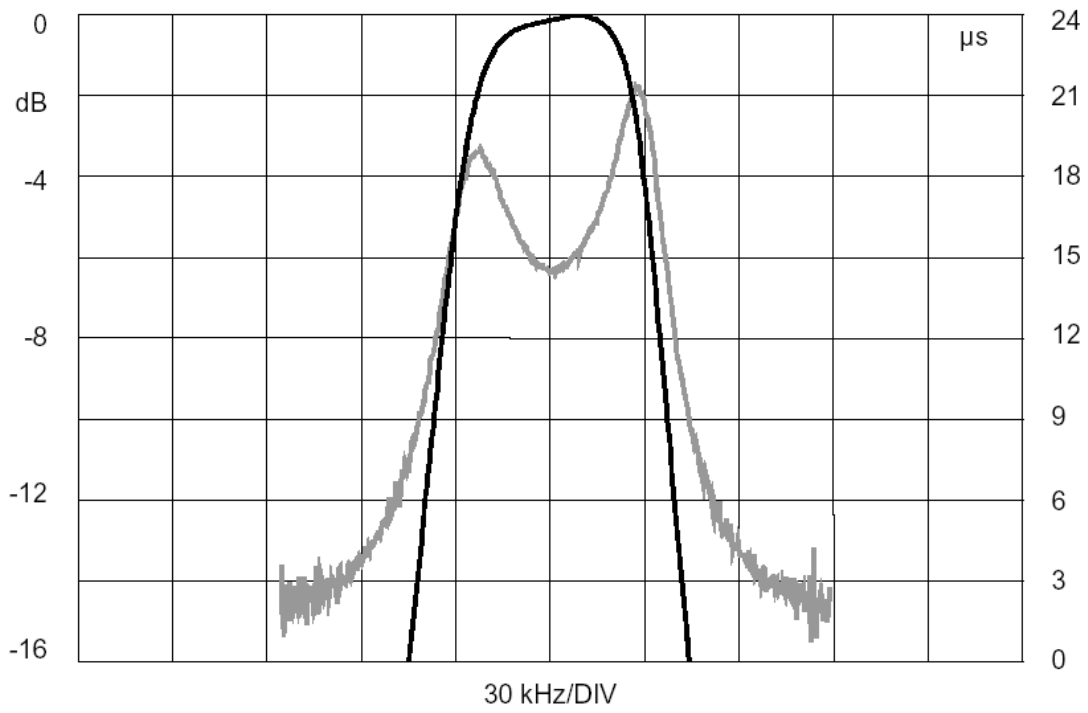
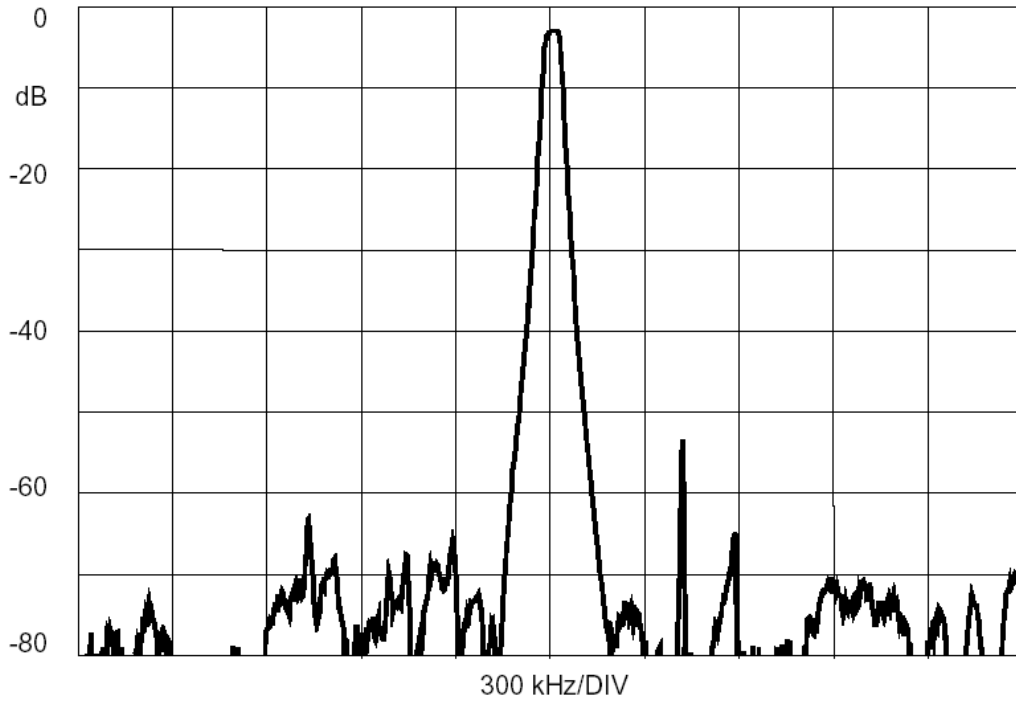
**CAUTION: Electrostatic Sensitive Device. Observe precautions for handling.**

**NOTES:**

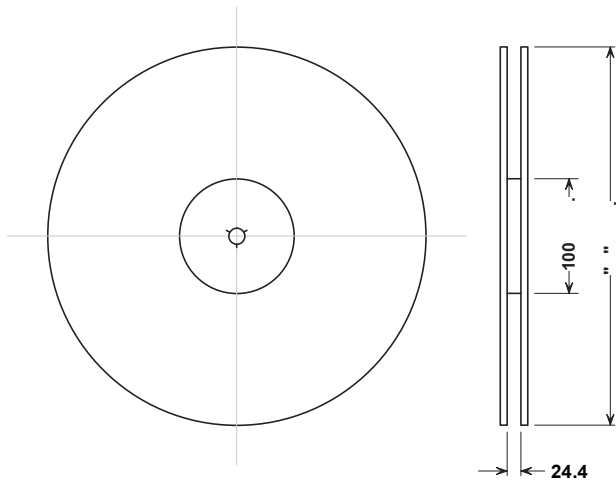
1. The design, manufacturing process, and specifications of this device are subject to change.
2. US or International patents may apply.
3. RoHS compliant from the first date of manufacture.

SCHEMATIC, PX1002 (DEMO)



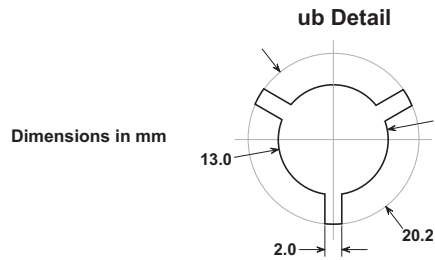


## Tape and Reel Specifications



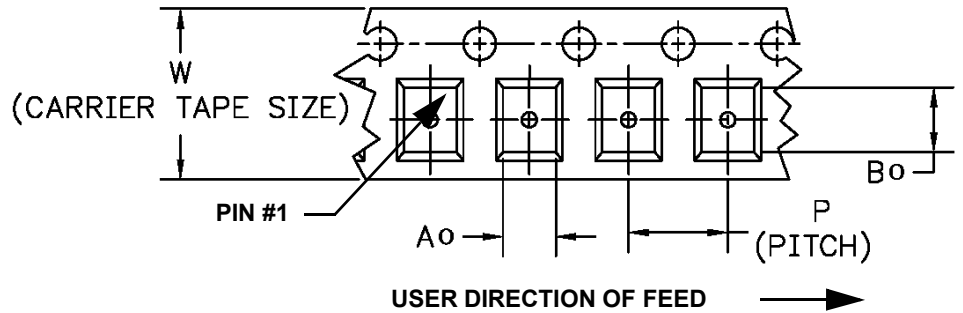
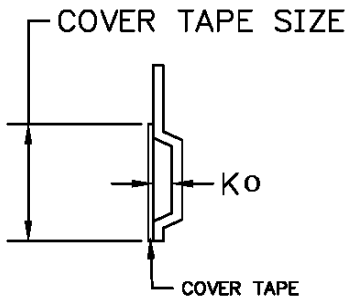
Tape and Reel Standard per ANSI/EIA-481

"B"		Quantity Per Reel
Inches	millimeters	
7	178	500
13	330	3000



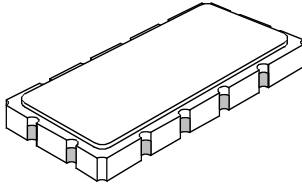
### COMPONENT ORIENTATION and DIMENSIONS

Carrier Tape Dimensions	
<b>Ao</b>	7.0 mm
<b>Bo</b>	13.8 mm
<b>Ko</b>	2.0 mm
<b>Pitch</b>	12.0 mm
<b>W</b>	24.0 mm



# SM13365-12 Case

## 12-Terminal Ceramic Surface-Mount Case 13.3 x 6.5 mm Nominal Footprint



Case Dimensions						
Dimension	mm			Inches		
	Min	Nom	Max	Min	Nom	Max
A	13.08	13.31	13.60	0.515	0.524	0.535
B	6.27	6.50	6.80	0.247	0.256	0.268
C		1.91	2.00		0.075	0.079
D		1.50			0.059	
E		0.79			0.031	
H		1.0			0.039	
P		2.54			0.100	

Materials	
Solder Pad Plating	0.3 to 1.0 $\mu\text{m}$ Gold over 1.27 to 8.89 $\mu\text{m}$ Nickel
Lid Plating	2.0 to 3.0 $\mu\text{m}$ Nickel
Body	$\text{Al}_2\text{O}_3$ Ceramic
	Pb Free

