

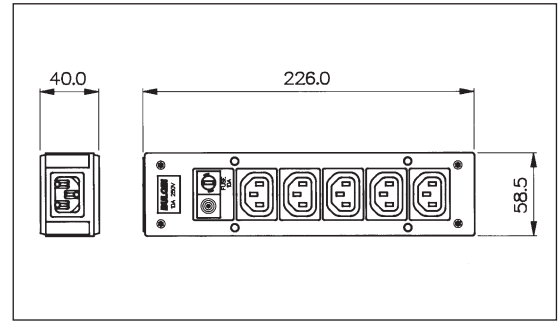
IEC Rectangular Distribution Units

IEC DISTRIBUTION UNIT



PXD301/050/01/1

- Five Shuttered Outlets
- 5 x 20mm Fuseholder
- Neon Indicator
- Filtered or Non-filtered
- EN60320 Inlet
- 10A, 250V a.c.

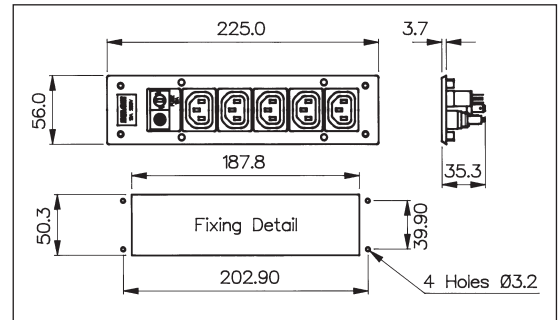


IEC PANEL MOUNT DISTRIBUTION UNIT

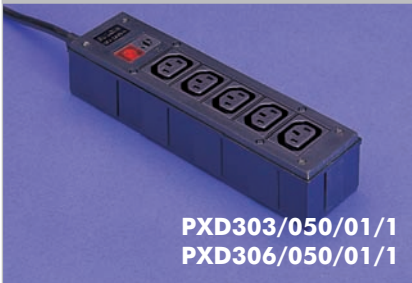


PXD100/050/01/1

- Five Shuttered Outlets
- 5 x 20mm Fuseholder
- Neon Indicator
- Screw Fit to Panel
- 10A, 250V a.c.

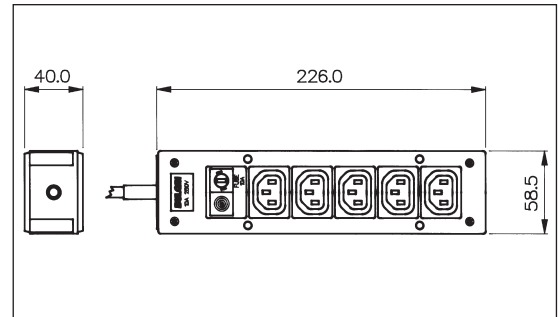


IEC DISTRIBUTION UNIT



PXD303/050/01/1
PXD306/050/01/1

- Five Shuttered Outlets
- 5 x 20mm Fuseholder
- Neon Indicator
- Filtered or Non-filtered
- 2 Metre Cable with BS1363 Plug
- 10A, 250V a.c.



IEC CONNECTORS

| Part No. | Inlet | Outlet | EMI Filter | Neon Indicator | Fuse | Illuminated Switch | Approvals |
|-----------------|-----------------------------------|-------------|------------|----------------|------|--------------------|-----------|
| Panel Style: | | | | | | | |
| PXD100/050/01/1 | | 5 Shuttered | | 1 | 1 | | Ⓢ |
| Box Style: | | | | | | | |
| PXD301/050/01/1 | 1 | 5 Shuttered | | 1 | 1 | | Ⓢ |
| PXD301/050/07/1 | 1 | 5 Shuttered | | | | Red | |
| PXD301/050/08/1 | 1 | 5 Shuttered | | | | Green | |
| PXD301/550/01/1 | 1 | 5 Shuttered | ✓ | 1 | 1 | | Ⓢ |
| PXD301/550/07/1 | 1 | 5 Shuttered | ✓ | | | Red | |
| PXD301/550/08/1 | 1 | 5 Shuttered | ✓ | | | Green | |
| PXD303/050/01/1 | 2m cable with BS1363 plug | 5 Shuttered | | 1 | 1 | | |
| PXD303/050/07/1 | 2m cable with BS1363 plug | 5 Shuttered | | | | Red | |
| PXD303/050/08/1 | 2m cable with BS1363 plug | 5 Shuttered | | | | Green | |
| PXD303/550/01/1 | 2m cable with BS1363 plug | 5 Shuttered | ✓ | 1 | 1 | | |
| PXD303/550/07/1 | 2m cable with BS1363 plug | 5 Shuttered | ✓ | | | Red | |
| PXD303/550/08/1 | 2m cable with BS1363 plug | 5 Shuttered | ✓ | | | Green | |
| PXD306/050/01/1 | 2m cable with CEE7 Sheet VII plug | 5 Shuttered | | 1 | 1 | | Ⓢ |

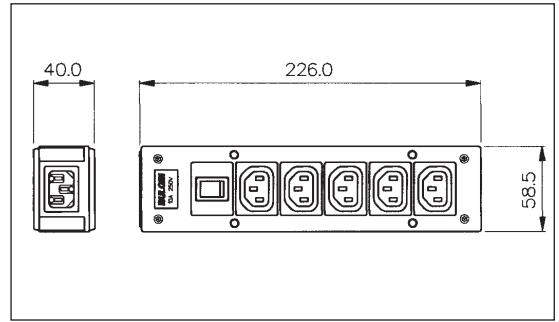
IEC Rectangular Distribution Units

IEC DISTRIBUTION UNIT



PXD301/050/07/1

- Five Shuttered Outlets
- Illuminated Switch
- Filtered or Non-Filtered
- EN60320 Inlet
- 10A, 250V a.c.

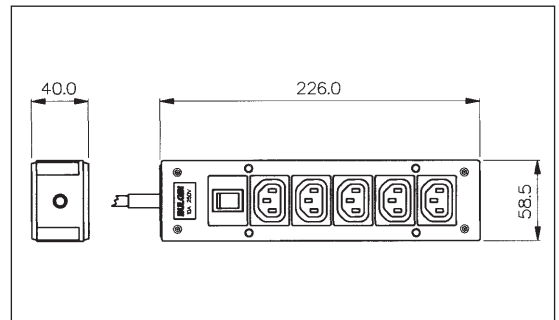


IEC DISTRIBUTION UNIT



PXD303/050/08/1

- Five Shuttered Outlets
- Illuminated Switch
- Filtered or Non-Filtered
- 2m Cable and BS1363 plug
- 10A, 250V a.c.



Specification

| | |
|--------------------|--|
| Mouldings: | Thermoplastic |
| Housing: | ABS |
| Connectors: | Nylon |
| Contacts: | Outlets: Brass, Tin Plated Inlets: Brass, Nickel Plated |
| Voltage Rating: | 250V a.c. 50/60Hz |
| Current Rating: | 10A |
| Proof Voltage: | 2kV |
| Temp. Range: | -5°C to +60°C |
| Mating Connectors: | PX0686, PX0686/SE |
| RoHS | Compliant |

Filter

| | |
|-----------------------------|---|
| Max. Earth Leakage Current: | <0.35mA (at 250V, 50Hz) |
| Capacitor: | 2 x 2.2nF (Y), 1 x 15nF (X) |
| Inductance: | 2 x 0.35mH |
| Fuse: | 5 x 20mm, 10A (ceramic HRC type, IEC 127) |