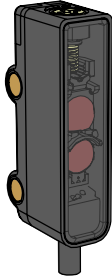


Q2X Mechanically Adjustable Background Suppression with Visible Red LED or Class 1 Red Laser



Datasheet

Miniature sensors featuring extended range and background suppression mode




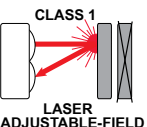
- Miniature sensor for installation in the smallest of spaces
- Exceptional optical performance; up to 150 mm sensing range in miniature Q2X housing
- Background suppression models for reliable detection of objects when the background condition is not controlled or fixed
- Simple multi-turn screw adjustment of cutoff distance
- Enhanced immunity to fluorescent lights
- Crosstalk immunity algorithm allows two sensors to be used in close proximity
- Small visible red LED or Class 1 laser emitter spot



WARNING:

- **Do not use this device for personnel protection**
- Using this device for personnel protection could result in serious injury or death.
- This device does not include the self-checking redundant circuitry necessary to allow its use in personnel safety applications. A device failure or malfunction can cause either an energized (on) or de-energized (off) output condition.

Models

| Sensing Mode | Models ¹ | Sensing Range | Connection | Output Type |
|--|--|---|---|--------------------------------------|
|  <p>ADJUSTABLE-FIELD</p> <p>Adjustable Field, Visible red, 645 nm</p> | Q2XAPAF150-2M Q2XANAF150-2M | Adjustable Cutoff: 18 mm to 150 mm | 2 m (6.5 ft) unterminated 3-wire PVC-jacketed cable | 1 PNP Light Operate (LO) 1 NPN LO |
| | Q2XABAF150-Q | Minimum sensing range: < 1.6 mm depending on cutoff and target reflectivity | 150 mm (6 in) PVC cable with a 4-pin M8 male quick disconnect | Bipolar LO |
|  <p>CLASS 1 LASER ADJUSTABLE-FIELD</p> <p>Adjustable Field, Visible red Class 1 laser, 680 nm</p> | Q2XAPLAF100-2M Q2XANLAF100-2M | Adjustable Cutoff: 18 mm to 100 mm | 2 m (6.5 ft) unterminated 3-wire PVC-jacketed cable | 1 PNP LO 1 NPN LO |
| | Q2XABLAF100-Q | Minimum sensing range: < 1.6 mm depending on cutoff and target reflectivity | 150 mm (6 in) PVC cable with a 4-pin M8 male quick disconnect | Bipolar LO |

¹

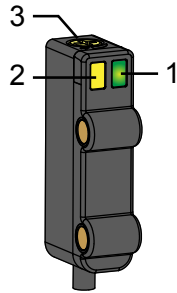
- To order Dark Operate (DO) models, replace "AP", "AN", or "AB" with "RP", "RN", or "RB", respectively.
- To order PNP or NPN models with a 150 mm (6 in) PVC cable and a 3-pin M8 male quick disconnect, replace "-2M" with "-Q3".
- To order Bipolar models with a 150 mm (6 in) PVC cable and a 4-pin M12 male quick disconnect, replace "-Q" with "-Q5".



Overview

Q2X Adjustable-Field Sensors with Background Suppression ignore objects beyond the set cutoff distance. Background suppression mode can be used in most situations with varying object color and position or with varying background conditions.

Figure 1. Sensor features



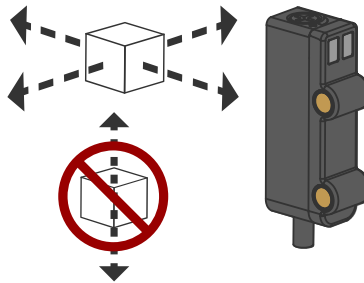
1. Green: Power Indicator
2. Yellow: Light Sensed Indicator (Flashes for Marginal Conditions)
3. Cutoff Point Adjustment Screw

Installation

Sensor Orientation

To ensure reliable detection, orient the sensor as shown in relation to the target to be detected.

Figure 2. Optimal Orientation of Target to Sensor



Mount the Device

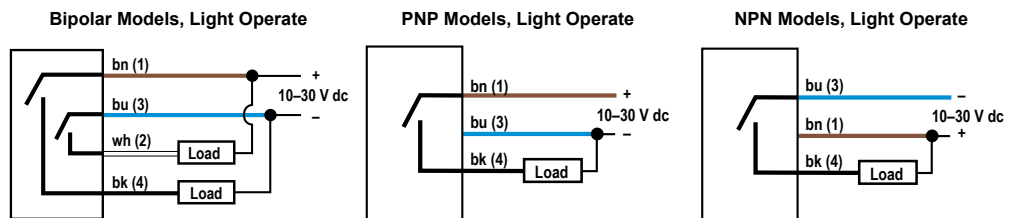
1. If a bracket is needed, mount the device onto the bracket.
2. Mount the device (or the device and the bracket) to the machine or equipment at the desired location. Do not tighten the mounting screws at this time.
3. Check the device alignment.
4. Tighten the mounting screws to secure the device (or the device and the bracket) in the aligned position.

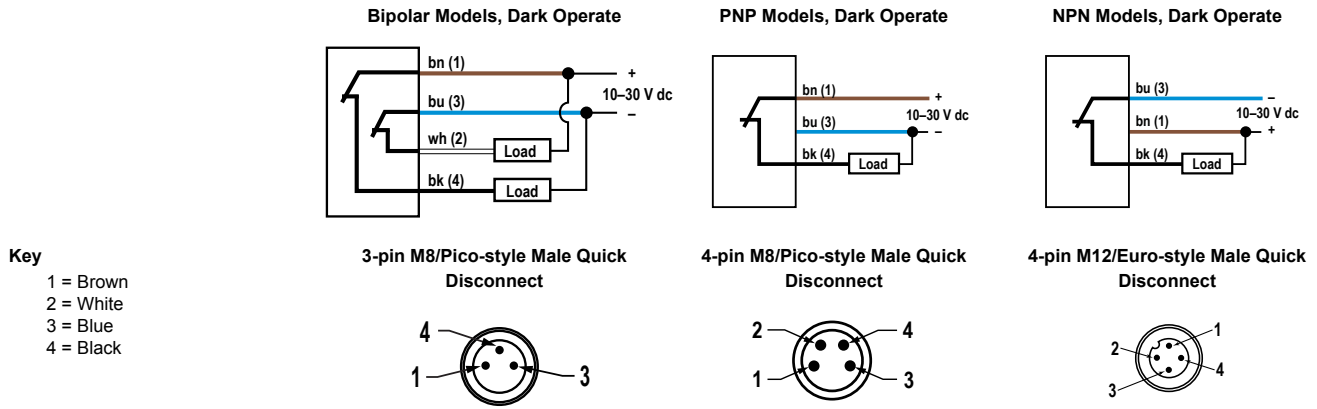
Wiring

Cabled wiring diagrams are shown. Quick disconnect wiring diagrams are functionally identical.



CAUTION: Observe proper ESD precautions (grounding) when connecting quick disconnect models.





Sensor Setup - Background Suppression

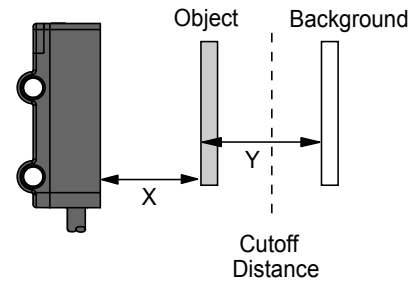
Background Suppression Mode: Detect objects closer than the set cutoff distance. Ignore objects more than the minimum separation distance and further than the set cutoff distance.

To ensure reliable background suppression, a minimum separation distance between the object to be detected and the background to be ignored is necessary. See the *Minimum Separation Distance* figure in [Performance Curves](#) on p. 5 to determine the minimum separation distance for the sensor's emitter type: LED or laser.

1. Mount the sensor with the darkest object at the longest application distance. The distance to the object must be less than shown in the *Minimum Separation Distance* figure in [Performance Curves](#) on p. 5 for your object color.
2. Turn the adjustment potentiometer **counter-clockwise** until the yellow indicator turns **off** (3 turns maximum).
3. Turn the adjustment potentiometer **clockwise** until the yellow indicator turns **on**.
4. Replace the darkest object with the brightest background at the closest application distance.
5. Turn the adjustment potentiometer **clockwise**, counting the revolutions, until the yellow indicator turns **on**.
 - a. **Application Note:** If the background turns the sensor **on** before adjusting the potentiometer, the object to background distance is too close for reliable operation, and the Minimum Separation Distance is not met.
6. Turn the adjustment potentiometer **counter-clockwise** half of the number of turns from step 5. This places the cutoff distance midway between the object and the background switchpoints (see [Figure 3](#) on p. 3).

The sensor is ready for operation.

Figure 3. Set the cutoff distance approximately midway between the farthest object and the closest background



X: Distance to the Object

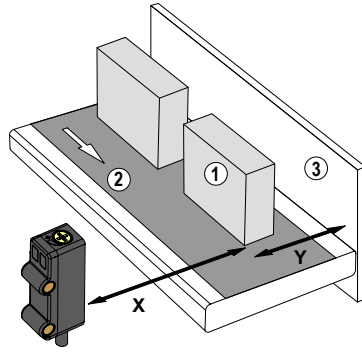
Y: Minimum Separation Between the Object and the Background

Setup Example

An object with a reflectivity similar to black paper is set 75 mm away from the sensor. A background with a reflectivity similar to white paper is set 90 mm away from the sensor. According to the *Minimum Separation Distance* figure in [Performance Curves](#) on p. 5, the LED sensor requires a minimum separation distance of 4 mm between the object and the background for reliable operation, and the laser sensor requires a minimum separation distance of 10 mm. In this application, reliable detection for both sensor types is achieved when set up according to the procedure outlined in [Sensor Setup - Background Suppression](#) on p. 3.

Application Notes: Laser sensors can be influenced by the lateral motion of some objects as they laterally pass by the sensor as shown in [Figure 4](#) on p. 4. If the object causes output instability when moving past the sensor laterally, move the sensor closer to the object or turn the adjustment potentiometer clock-wise to slightly move the cutoff distance further past the object to stabilize the output.

Figure 4. Background Suppression Mode Application Example



1. Object
 2. Conveyor
 3. Background
- X: Distance to the Object = 75 mm
 Y: Minimum Separation Between the Object and the Background > 4 mm or 10 mm, depending on sensor type

Specifications

Supply Voltage

10 V DC to 30 V DC (10% maximum ripple within specified limits) at less than 16 mA, exclusive of load

Sensing Beam

Q2XAF150 (LED): Visible red LED, 645 nm
 Q2XLAF100 (Laser): Visible red (see below)

Laser Characteristics

Q2XLAF100:

Wavelength: Visible red Class 1 laser, 680 nm
 Pulse Width: 3 μs
 Rep Rate: 87 μs
 Average Output Power: 0.25 mW

Supply Protection Circuitry

Protected against reverse polarity and transient voltages

Output Configuration

Bipolar (1 NPN and 1 PNP) solid-state output or single output (PNP or NPN), light operate (LO) or dark operate (DO), depending on model
 Rating: 50 mA total output current
Off-state leakage current: < 10 μA at 30 V DC
ON-state saturation voltage: < 2 V at 50 mA
 Protected against output short-circuit, continuous overload, and false pulse on power-up

Required Overcurrent Protection



WARNING: Electrical connections must be made by qualified personnel in accordance with local and national electrical codes and regulations.

Overcurrent protection is required to be provided by end product application per the supplied table.
 Overcurrent protection may be provided with external fusing or via Current Limiting, Class 2 Power Supply.
 Supply wiring leads < 24 AWG shall not be spliced.
 For additional product support, go to www.bannerengineering.com.

| Supply Wiring (AWG) | Required Overcurrent Protection (Amps) |
|---------------------|--|
| 20 | 5.0 |
| 22 | 3.0 |
| 24 | 2.0 |
| 26 | 1.0 |
| 28 | 0.8 |
| 30 | 0.5 |

Output Response

850 microseconds, OFF to ON and ON to OFF

Note: 120 millisecond delay on power-up; outputs do not conduct during this time

Adjustments

Three-turn adjustment potentiometer sets cutoff distance between minimum and maximum positions, clutched at both ends of travel

Repeatability

125 μs

Indicators

2 LED indicators on sensor top:

Green solid: Power on

Amber solid: Light sensed

Amber flashing: Marginal sensing condition

Construction

PC/ABS housing, acrylic lens cover; PVC cable, acetal adjustment potentiometer

Environmental Rating

IP67

Connections

2 m (6.5 ft) unterminated 3-wire PVC-jacketed cable, 150 mm (6 in) PVC cable with a 3-pin M8 male quick disconnect, 150 mm (6 in) PVC cable with a 4-pin M8 male quick disconnect, or 150 mm (6 in) PVC cable with a 4-pin M12 male quick disconnect, depending on model.

Operating Conditions

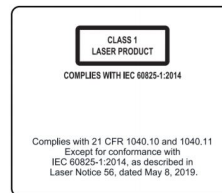
95% at +50 °C maximum relative humidity (non-condensing)
 Temperature: -25 °C to +50 °C (-13 °F to +122 °F)

Application Notes

For mirror-like objects, minimize the sensor to object mounting distance and tilt the sensor so reflected light is directed away from the sensor when the object is present

Laser Classification

Q2XLAF100 models: Class 1 laser product; Complies with IEC 60825-1:2014 and 21 CFR 1040.10, except for deviations pursuant to Laser Notice 56, dated 5-08-19

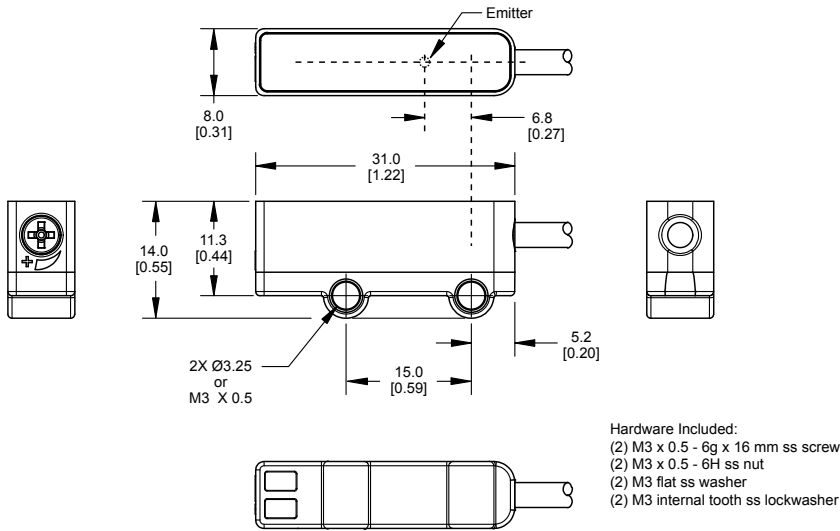


Certifications



Dimensions

All measurements are listed in millimeters [inches], unless noted otherwise.



Maximum torque 0.9 Nm (8 in-lbf)

Performance Curves

Figure 5. Q2XAF150 (LED) Static Minimum Separation Distance Between Object and Background: Background Suppression Mode

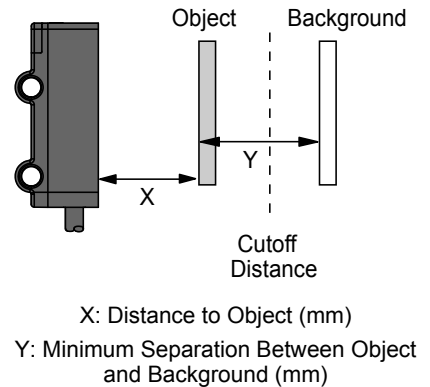
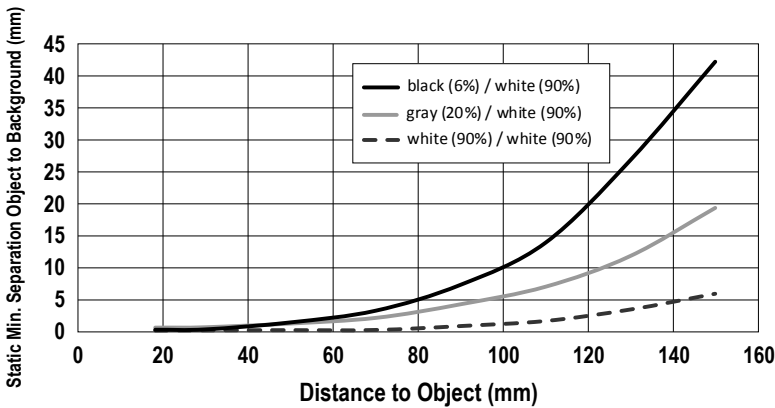


Figure 6. Q2XLAF100 (Laser) Static Minimum Separation Distance Between Object and Background: Background Suppression Mode

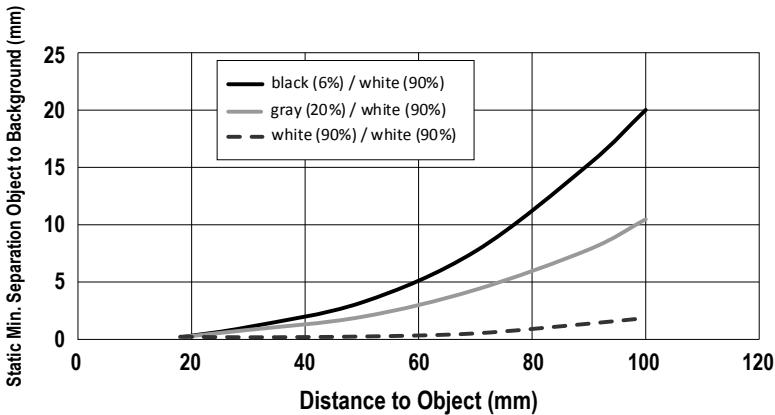


Figure 7. Q2XAF150 (LED) Typical Emitter Spot Diameter vs. Distance

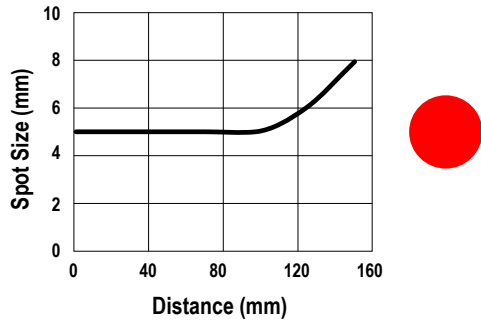
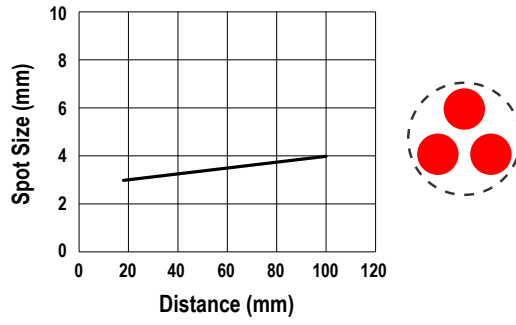


Figure 8. Q2XLAF100 (Laser) Typical Emitter Spot Diameter vs. Distance



Excess Gain Curves

Figure 9. Q2XAF150 (LED) Excess Gain Curve with 18 mm Cutoff and 150 mm Cutoff (based on 90% White Card)

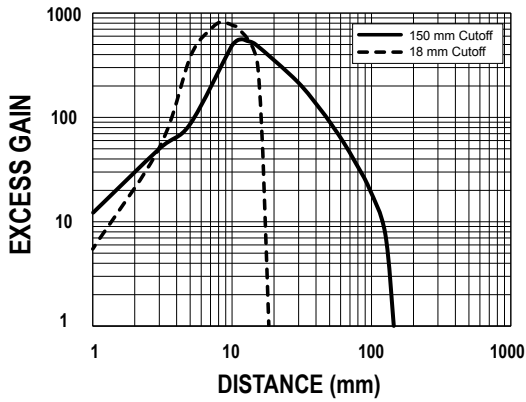
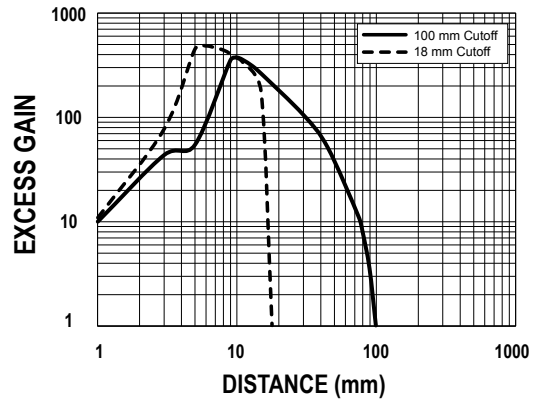


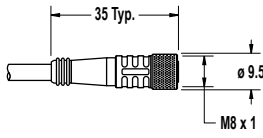
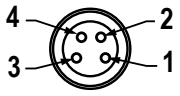
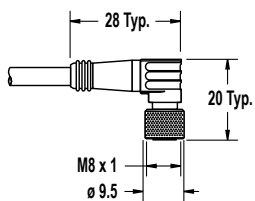
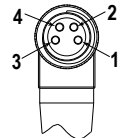
Figure 10. Q2XLAF100 (Laser) Excess Gain Curve with 18 mm Cutoff and 100 mm Cutoff (based on 90% White Card)

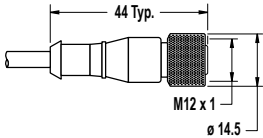
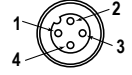
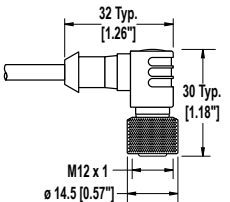
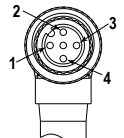


Accessories

Cordsets

| 3-pin Threaded M8 Cordsets—Single Ended | | | | |
|---|---------------------|-------------|------------|---|
| Model | Length | Style | Dimensions | Pinout (Female) |
| PKG3M-2 | 2.035 m (6.68 ft) | Straight | | <p>1 = Brown 3 = Blue 4 = Black</p> |
| PKG3M-5 | 5.035 m (16.51 ft) | | | |
| PKG3M-7 | 7.035 m (23.08 ft) | | | |
| PKG3M-9 | 9.035 m (29.64 ft) | | | |
| PKG3M-10 | 10.035 m (32.92 ft) | | | |
| PKW3M-2 | 2 m (6.56 ft) | Right-Angle | | <p>1 = Brown 3 = Blue 4 = Black</p> |
| PKW3M-5 | 5 m (16.40 ft) | | | |
| PKW3M-9 | 9 m (29.53 ft) | | | |

| 4-Pin Threaded M8 Cordsets—Single Ended | | | | | |
|---|------------------|-------------|---|---|---|
| Model | Length | Style | Dimensions | Pinout (Female) | |
| PKG4M-2 | 2.04 m (6.68 ft) | Straight |  |  | 1 = Brown 2 = White 3 = Blue 4 = Black |
| PKG4M-5 | 5 m (16.4 ft) | | | | |
| PKG4M-9 | 9.04 m (29.6 ft) | | | | |
| PKW4M-2 | 2 m (6.56 ft) | Right Angle |  |  | |
| PKW4M-5 | 5 m (16.4 ft) | | | | |
| PKW4M-9 | 9 m (29.5 ft) | | | | |

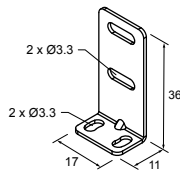
| 4-Pin Threaded M12 Cordsets—Single Ended | | | | | |
|--|----------------|-------------|--|---|---|
| Model | Length | Style | Dimensions | Pinout (Female) | |
| MQDC-406 | 2 m (6.56 ft) | Straight |  |  | 1 = Brown 2 = White 3 = Blue 4 = Black |
| MQDC-415 | 5 m (16.4 ft) | | | | |
| MQDC-430 | 9 m (29.5 ft) | | | | |
| MQDC-450 | 15 m (49.2 ft) | Right-Angle |  |  | |
| MQDC-406RA | 2 m (6.56 ft) | | | | |
| MQDC-415RA | 5 m (16.4 ft) | | | | |
| MQDC-430RA | 9 m (29.5 ft) | | | | |
| MQDC-450RA | 15 m (49.2 ft) | | | | |

Brackets

All measurements are listed in millimeters, unless noted otherwise.

SMBQ2XA

- Vertical L-shaped bracket
- 20-ga stainless steel



SMBQ2XB

- Rear L-shaped bracket
- 20-ga stainless steel

