

CUSTOMER NOTIFICATION

U17534EJ1V0UM00

Apr 27th, 2005

Tadayoshi Mori, Manager
Automotive Systems Division
4th Systems Operations Unit
NEC Electronics Corporation
(Created by Takashi Fuchigami)

CP(K), O

QB-78K0FX1

(IECUBE for 78K0/Fx1+)

User's Manual

Target Device:

78K0/FC1+

78K0/FE1+

78K0/FF1+

[MEMO]

PC/AT is a trademark of International Business Machines Corporation.

- **The information in this document is current as of March, 2004. The information is subject to change without notice. For actual design-in, refer to the latest publications of NEC Electronics data sheets or data books, etc., for the most up-to-date specifications of NEC Electronics products. Not all products and/or types are available in every country. Please check with an NEC Electronics sales representative for availability and additional information.**
- No part of this document may be copied or reproduced in any form or by any means without the prior written consent of NEC Electronics. NEC Electronics assumes no responsibility for any errors that may appear in this document.
- NEC Electronics does not assume any liability for infringement of patents, copyrights or other intellectual property rights of third parties by or arising from the use of NEC Electronics products listed in this document or any other liability arising from the use of such products. No license, express, implied or otherwise, is granted under any patents, copyrights or other intellectual property rights of NEC Electronics or others.
- Descriptions of circuits, software and other related information in this document are provided for illustrative purposes in semiconductor product operation and application examples. The incorporation of these circuits, software and information in the design of a customer's equipment shall be done under the full responsibility of the customer. NEC Electronics assumes no responsibility for any losses incurred by customers or third parties arising from the use of these circuits, software and information.
- While NEC Electronics endeavors to enhance the quality, reliability and safety of NEC Electronics products, customers agree and acknowledge that the possibility of defects thereof cannot be eliminated entirely. To minimize risks of damage to property or injury (including death) to persons arising from defects in NEC Electronics products, customers must incorporate sufficient safety measures in their design, such as redundancy, fire-containment and anti-failure features.
- NEC Electronics products are classified into the following three quality grades: "Standard", "Special" and "Specific".

The "Specific" quality grade applies only to NEC Electronics products developed based on a customer-designated "quality assurance program" for a specific application. The recommended applications of an NEC Electronics product depend on its quality grade, as indicated below. Customers must check the quality grade of each NEC Electronics product before using it in a particular application.

"Standard": Computers, office equipment, communications equipment, test and measurement equipment, audio and visual equipment, home electronic appliances, machine tools, personal electronic equipment and industrial robots.

"Special": Transportation equipment (automobiles, trains, ships, etc.), traffic control systems, anti-disaster systems, anti-crime systems, safety equipment and medical equipment (not specifically designed for life support).

"Specific": Aircraft, aerospace equipment, submersible repeaters, nuclear reactor control systems, life support systems and medical equipment for life support, etc.

The quality grade of NEC Electronics products is "Standard" unless otherwise expressly specified in NEC Electronics data sheets or data books, etc. If customers wish to use NEC Electronics products in applications not intended by NEC Electronics, they must contact an NEC Electronics sales representative in advance to determine NEC Electronics' willingness to support a given application.

(Note)

(1) "NEC Electronics" as used in this statement means NEC Electronics Corporation and also includes its majority-owned subsidiaries.

(2) "NEC Electronics products" means any product developed or manufactured by or for NEC Electronics (as defined above).

M8E 02.11-1

Regional Information

Some information contained in this document may vary from country to country. Before using any NEC Electronics product in your application, please contact the NEC Electronics office in your country to obtain a list of authorized representatives and distributors. They will verify:

- Device availability
- Ordering information
- Product release schedule
- Availability of related technical literature
- Development environment specifications (for example, specifications for third-party tools and components, host computers, power plugs, AC supply voltages, and so forth)
- Network requirements

In addition, trademarks, registered trademarks, export restrictions, and other legal issues may also vary from country to country.

[GLOBAL SUPPORT]

<http://www.necel.com/en/support/support.html>

NEC Electronics America, Inc. (U.S.)

Santa Clara, California
Tel: 408-588-6000
800-366-9782

NEC Electronics (Europe) GmbH

Duesseldorf, Germany
Tel: 0211-65030

NEC Electronics Hong Kong Ltd.

Hong Kong
Tel: 2886-9318

- **Sucursal en España**

Madrid, Spain
Tel: 091-504 27 87

- **Succursale Française**

Vélizy-Villacoublay, France
Tel: 01-30-67 58 00

- **Filiale Italiana**

Milano, Italy
Tel: 02-66 75 41

- **Branch The Netherlands**

Eindhoven, The Netherlands
Tel: 040-244 58 45

- **Tyskland Filial**

Taeby, Sweden
Tel: 08-63 80 820

- **United Kingdom Branch**

Milton Keynes, UK
Tel: 01908-691-133

NEC Electronics Hong Kong Ltd.

Seoul Branch
Seoul, Korea
Tel: 02-558-3737

NEC Electronics Shanghai Ltd.

Shanghai, P.R. China
Tel: 021-5888-5400

NEC Electronics Taiwan Ltd.

Taipei, Taiwan
Tel: 02-2719-2377

NEC Electronics Singapore Pte. Ltd.

Novena Square, Singapore
Tel: 6253-8311

J04.1

INTRODUCTION

Readers This manual is intended for users who wish to perform debugging using the QB-78K0FX1. The readers of this manual are assumed to be familiar with the device functions and usage, and to have knowledge of debuggers.

Purpose This manual is intended to give users an understanding of the basic specifications and correct usage of the QB-78K0FX1.

Organization This manual is divided into following parts.

- General
- Setup procedure
- Settings at product shipment
- Differences between target device and target interface circuit
- Cautions
- Restrictions

How to Read This Manual It is assumed that the readers of this manual have general knowledge in the fields of electrical engineering, logic circuits, and microcontrollers. This manual describes the basic setup procedures and how to set switches.

To understand the overall functions and usages of the QB-78K0FX1
→ Read this manual according to the **CONTENTS**.

To know the manipulations, command functions, and other software-related settings of the QB-78K0FX1
→ See the user's manual of the debugger (supplied with the QB-78K0FX1) to be used.

Conventions

Note:	Footnote for item marked with Note in the text
Caution:	Information requiring particular attention
Remark:	Supplementary information
Numeric representation:	Binary ... xxxx or xxxxB Decimal ... xxxx Hexadecimal ... xxxxH
Prefix indicating power of 2 (address space, memory capacity):	K (kilo): $2^{10} = 1,024$ M (mega): $2^{20} = 1,024^2$

Terminology

The meanings of the terms used in this manual are described in the table below.

Term	Meaning
Target device	This is the device to be emulated.
Target system	This is the system to be debugged. This includes the target program and the hardware provided by the user.
78K0Fx1+	Generic name indicating 78K0/FC1+, 78K0/FE1+, 78K0/FF1+.

Related Documents

Please use the following documents in conjunction with this manual. The related documents listed below may include preliminary versions. However, preliminary versions are not marked as such.

Documents Related to Development Tools (User's Manuals)

Document Name		Document Number
QB-78K0FX1 In-Circuit Emulator		This manual
RA78K0 Assembler Package Ver. 3.70	Operation	U17015E
	Language	U17014E
	Structured Assembly Language	U11789E
CC78K0 C Compiler Ver. 3.60	Operation	U17017E
	Language	U17016E
ID78K0-QB Ver. 2.81 Integrated Debugger	Operation	U16996E
PM plus Ver. 5.20		U16934E

Caution The related documents listed above are subject to change without notice. Be sure to use the latest version of each document for designing, etc.

General Precautions for Handling This Product

1. Circumstances not covered by product guarantee

- If the product was disassembled, altered, or repaired by the customer
- If it was dropped, broken, or given another strong shock
- Use at overvoltage, use outside guaranteed temperature range, storing outside guaranteed temperature range
- If power was turned on while the AC adapter, USB interface cable, or connection to the target system was in an unsatisfactory state
- If the cable of the AC adapter, the USB interface cable, the emulation probe, or the like was bent or pulled excessively
- If an AC adapter other than the supplied product was used
- If the product got wet

2. Safety precautions

- If used for a long time, the product may become hot (50°C to 60°C). Be careful of low temperature burns and other dangers due to the product becoming hot.
- Be careful of electrical shock. There is a danger of electrical shock if the product is used as described above in **1 Circumstances not covered by product guarantee**.

CONTENTS

CHAPTER 1	GENERAL	10
1.1	Hardware Specifications	11
1.2	System Specifications	12
1.3	System Configuration	13
1.3.1	AC adapter	16
1.4	Package Contents	17
CHAPTER 2	SETUP PROCEDURE	19
2.1	Names and Functions of Hardware	19
2.1	Names and Functions of Hardware	20
2.2	Removal of Acrylic Board	22
2.3	Clock Settings	22
2.3.1	Overview of clock settings	22
2.3.2	Clock setting methods	23
2.3.3	Main system clock	23
2.3.4	Subsystem clock	27
2.4	Software Settings	28
2.5	Mounting and Connecting Connectors	29
2.5.1	Mounting NQ in target system	29
2.5.2	Mounting YQ on NQ	29
2.5.3	Plugging EA into YQ	30
2.5.4	Precautions for handling NQ, YQ, YS	30
2.5.5	Precautions on mounting NQ and IC	31
2.6	Connection of QB-78K0FX1 to Target System	31
2.7	Power Supply and GND Pin Connection Precautions	35
2.8	Connection of USB Interface Cable and AC Adapter	35
2.9	Switching Power On and Off	35
CHAPTER 3	SETTINGS AT PRODUCT SHIPMENT	36
CHAPTER 4	DIFFERENCES BETWEEN TARGET INTERFACE CIRCUIT AND TARGET DEVICE	37
4.1	For 78K0FC1+ Emulation	38
4.2	For 78K0/FE1+ Emulation	40
4.3	For 78K0/FF1+ Emulation	42
CHAPTER 5	CAUTIONS	44
CHAPTER 6	RESTRICTIONS	44
APPENDIX A	NOTES ON TARGET SYSTEM DESIGN	45
APPENDIX B	PACKAGE DRAWINGS	48

B.1	Target Connectors.....	48
B.2	Exchange Adapters.....	53
B.3	YQ Connectors.....	55
B.4	Mount Adapters.....	57
B.5	Check Pin Adapter.....	59
B.6	Spacer Adapters.....	60
B.7	Emulation Probe.....	62
B.8	Clock Board.....	63

CHAPTER 1 GENERAL

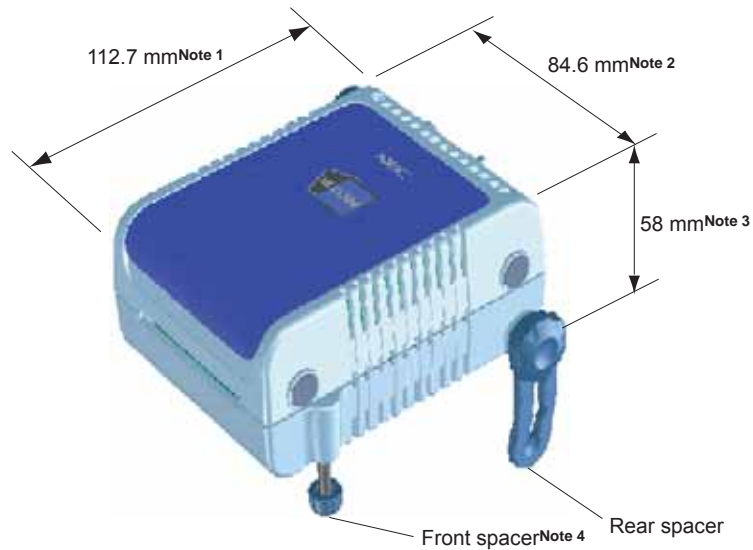
The QB-78K0FX1 is an in-circuit emulator for emulating the 78K0/Fx1+.

Hardware and software can be debugged efficiently in the development of systems in which the 78K0/Fx1+ is used. This manual describes basic setup procedures, hardware specifications, system specifications, and how to set switches.

1.1 Hardware Specifications

Table 1-1. QB-78K0FX1 Hardware Specifications

Parameter		Specification	
Target device		78K0/FC1+, 78K0/FE1+, 78K0/FF1+	
Operating voltage		3.7 to 5.5 V	
Operating frequency		Main system clock V _{DD} = 4.0 to 5.5 V: 16 MHz V _{DD} = 3.7 to 4.0 V: 12 MHz	
		Subsystem clock	32.768 kHz
		Ring-OSC	TYP.240KHz (120KHz ~ 480KHz)
Operating temperature range		0 to 40°C (No condensation)	
Storage temperature range		-15 to 60°C (No condensation)	
External dimensions		See figure below	
Power consumption	AC adapter for QB-78K0FX1	15 V, 1 A	
	Target system power supply	Same level as target device	
Weight		382 g	
Host interface		USB interface (1.1, 2.0)	



- Notes**
- 1 . Does not include projection of power switch
 - 2 . Includes projection of screw that fixes rear spacer
 - 3 . Dimension when rear spacer is made shortest (88 mm when longest)
 - 4 . Front spacer can vary from 20 mm (longest) to 5 mm (shortest)

1.2 System Specifications

This section shows the QB-78K0FX1 system specifications.

Table 1-2. QB-78K0FX1 System Specifications

Parameter		Specification
Emulation memory capacity		64 KB
Program execution functions	Real-time execution function	Go, Start from Here, Go & Go, Come Here, Restart, Return Out, Ignore break points and Go
	Non-real-time execution function	Step execution
Break functions	Event break	Execution: 8 points Access: Byte 8 points, word 2 points
	Software break	2000 points
	Pre-execution break	16 points
	Fail-safe break	Exists
	Other	Forcible break, trace full break, trace delay break, timeout break, timer overflow break
Trace functions	Trace data types	Program address, program data, access address, access data, status
	Trace modes	Full trace, section trace, qualify trace
	Trace functions	Delay function, full stop function
	Memory capacity	128K frames
Real-time RAM monitoring function		All spaces
Time measurement functions	Measurement clock	50 MHz or CPU clock
	Measurement objects	Beginning through end of program execution Start event through end event
	Maximum measurement time	Approximately 24 hours (Resolution 41 μ s)
	Minimum resolution	20 ns (Measurement time: 85 seconds)
	Number of timers for measurement	Start through end of program execution: 1 Start event through end event: 2
	Measurement results	Maximum, minimum, average, cumulative, number of passes (between events)
	Other	Timer overflow break function, timeout break function
Other functions		Mapping function, event function, coverage function, snapshot function, DMM function, stub function, power-off emulation function, pin mask function

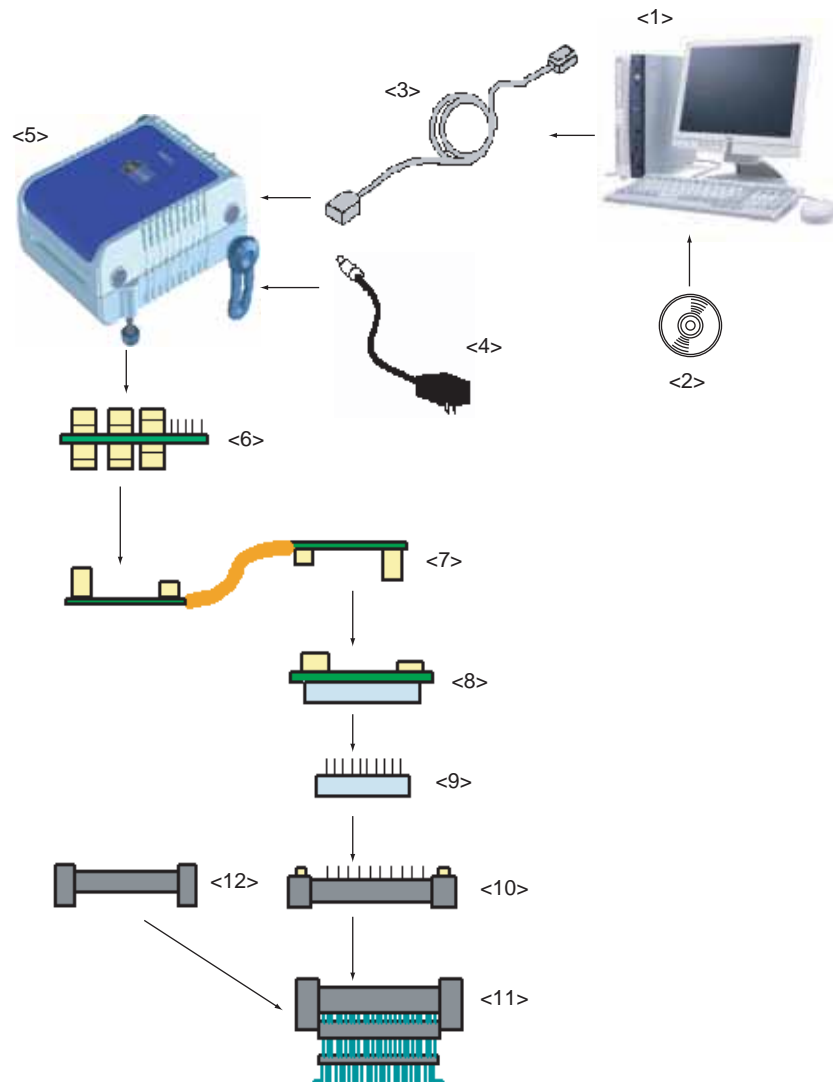
1.3 System Configuration

This section shows the system configuration when using the QB-78K0FX1 connected to a PC (PC-9821 series, PC/AT™ compatible). Connection is possible even without optional products.

Table 1-3. Devices Subject to Emulation by 78K0Fx1

Series Name (Common Name)	Package	Device Name
		Flash Memory Version
FC1+ Series	44-pin QFP (GB)	μ PD78F0871, μ PD78F0872, μ PD78F0873
	48-pin QFP (GA)	μ PD78F0877, μ PD78F0878, μ PD78F0879
FE1+ Series	64-pin QFP (GB,GK)	μ PD78F0874, μ PD78F0875
FF1+ Series	80-pin QFP (GK, GC)	μ PD78F0876

Figure 1-1. System Configuration



- | | |
|------------------------------------|--|
| <1> Host machine: | PC-9821 series, PC/AT compatible can be used |
| <2> ID78K0-QB Disk/Accessory Disk: | Debugger, USB drivers, manual, etc. |
| <3> USB interface cable: | Cable connecting QB-78K0FX1 to host machine |
| <4> AC adapter: | Can support 100 to 240 V by replacing AC plug |
| <5> QB-78K0FX1: | This product |
| <6> Check pin adapter: | Adapter used when observing waveforms on oscilloscope |
| <7> Emulation probe: | Flexible type of emulation probe |
| <8> Exchange adapter: | Adapter that performs pin conversion |
| <9> Spacer adapter: | Adapter for height regulation |
| <10> YQ connector: | Connector that connects exchange adapter to target connector |
| <11> Target connector: | Connector soldered to target system |
| <12> Mount adapter: | Adapter for socket mounting target device |

- Remarks 1.** Obtain device files from the NEC Electronics website.
http://www.necel.com/micro/index_e.html
- 2.** Refer to **1.4 Package Contents** for the purchase forms of the above products.

Table 1-5. Check Pin Adapters

Package	Check Pin Adapter
Common	QB-144-CA-01

Table 1-6. Exchange Adapters

Package	Exchange Adapter
80GC	QB-80GC-EA-01T
80GK	QB-80GK-EA-01T
64GB	QB-64GB-EA-03T
64GK	QB-64GK-EA-03T
48GA	QB-48GA-EA-01T
44GB	QB-44GB-EA-02T

Table 1-7. Emulation Probes

Package	Emulation Probe
Common	QB-80-EP-01T

Table 1-8. YQ Connectors

Package	YQ Connector
80GC	QB-80GC-YQ-01T
80GK	QB-80GK-YQ-01T
64GB	QB-64GB-YQ-01T
64GK	QB-64GK-YQ-01T
48GA	QB-48GA-YQ-01T
44GB	QB-44GB-YQ-01T

Table 1-9. Spacer Adapters

Package	Spacer Adapter
80GC	QB-80GC-YS-01T
80GK	QB-80GK-YS-01T
64GB	QB-64GB-YS-01T
64GK	QB-64GK-YS-01T
48GA	QB-48GA-YS-01T
44GB	QB-44GB-YS-01T

Table 1-10. Target Connectors

Package	Target Connector
80GC	QB-80GC-NQ-01T
80GK	QB-80GK-NQ-01T
64GB	QB-64GB-NQ-01T
64GK	QB-64GK-NQ-01T
48GA	QB-48GA-NQ-01T
44GB	QB-44GB-NQ-01T

Table 1-11. Mount Adapters

Package	Target Connector
80GC	QB-80GC-HQ-01T
80GK	QB-80GK-HQ-01T
64GB	QB-64GB-HQ-01T
64GK	QB-64GK-HQ-01T
48GA	QB-48GA-HQ-01T
44GB	QB-44GB-HQ-01T

1.3.1 AC adapter

By replacing the AC plug, this product can support 100 to 240 V.

The following three types are included.



1.4 Package Contents

The following items have been placed in the QB-78K0FX1 packing box. Please check the contents.

Products supplied with QB-78K0FX1-ZZZ

- 1: QB-78K0FX1
- 2: AC adapter
- 3: USB interface cable
- 4: Clock board set
 - Main Clock Type I
 - Main Clock Type II
 - Main Clock Type III (Mounted at shipment)
 - Sub Clock Type I
 - Sub Clock Type II (Mounted at shipment)
- 5: User registration
- 6: PG-FPL
- 7: ID78K0-QB Disk (CD-ROM)
- 8: Accessory Disk (CD-ROM)
- 9: Setup Manual

Products supplied with QB-78K0FX1-T80GC

- 1 to 9
- 10: Emulation probe QB-80-EP-01T
 - 11: Exchange adapter QB-80GC-EA-01T
 - 12: YQ connector QB-80GC-YQ-01T
 - 13: Target connector QB-80GC-NQ-01T

Products supplied with QB-78K0FX1-T80GK

- 1 to 9
- 10: Emulation probe QB-80-EP-01T
 - 11: Exchange adapter QB-80GK-EA-01T
 - 12: YQ connector QB-80GK-YQ-01T
 - 13: Target connector QB-80GK-NQ-01T

Products supplied with QB-78K0FX1-T64GB

- 1 to 9
- 10: Emulation probe QB-80-EP-01T
 - 11: Exchange adapter QB-64GB-EA-03T
 - 12: YQ connector QB-64GB-YQ-01T
 - 13: Target connector QB-64GB-NQ-01T

Products supplied with QB-78K0FX1-T64GK

- 1 to 9
- 10: Emulation probe QB-80-EP-01T
 - 11: Exchange adapter QB-64GK-EA-03T
 - 12: YQ connector QB-64GK-YQ-01T
 - 13: Target connector QB-64GK-NQ-01T

Products supplied with QB-78K0FX1-T48GA

1 to 9

- 10: Emulation probe QB-80-EP-01T
- 11: Exchange adapter QB-48GA-EA-01T
- 12: YQ connector QB-48GA-YQ-01T
- 13: Target connector QB-48GA-NQ-01T

Products supplied with QB-78K0FX1-T44GB

1 to 9

- 10: Emulation probe QB-80-EP-01T
- 11: Exchange adapter QB-44GB-EA-02T
- 12: YQ connector QB-44GB-YQ-01T
- 13: Target connector QB-44GB-NQ-01T

The following products are sold as single items.

- Emulation probe
- Exchange adapter
- YQ connector
- Target connector
- Check pin adapter
- Spacer adapter
- Mount adapter

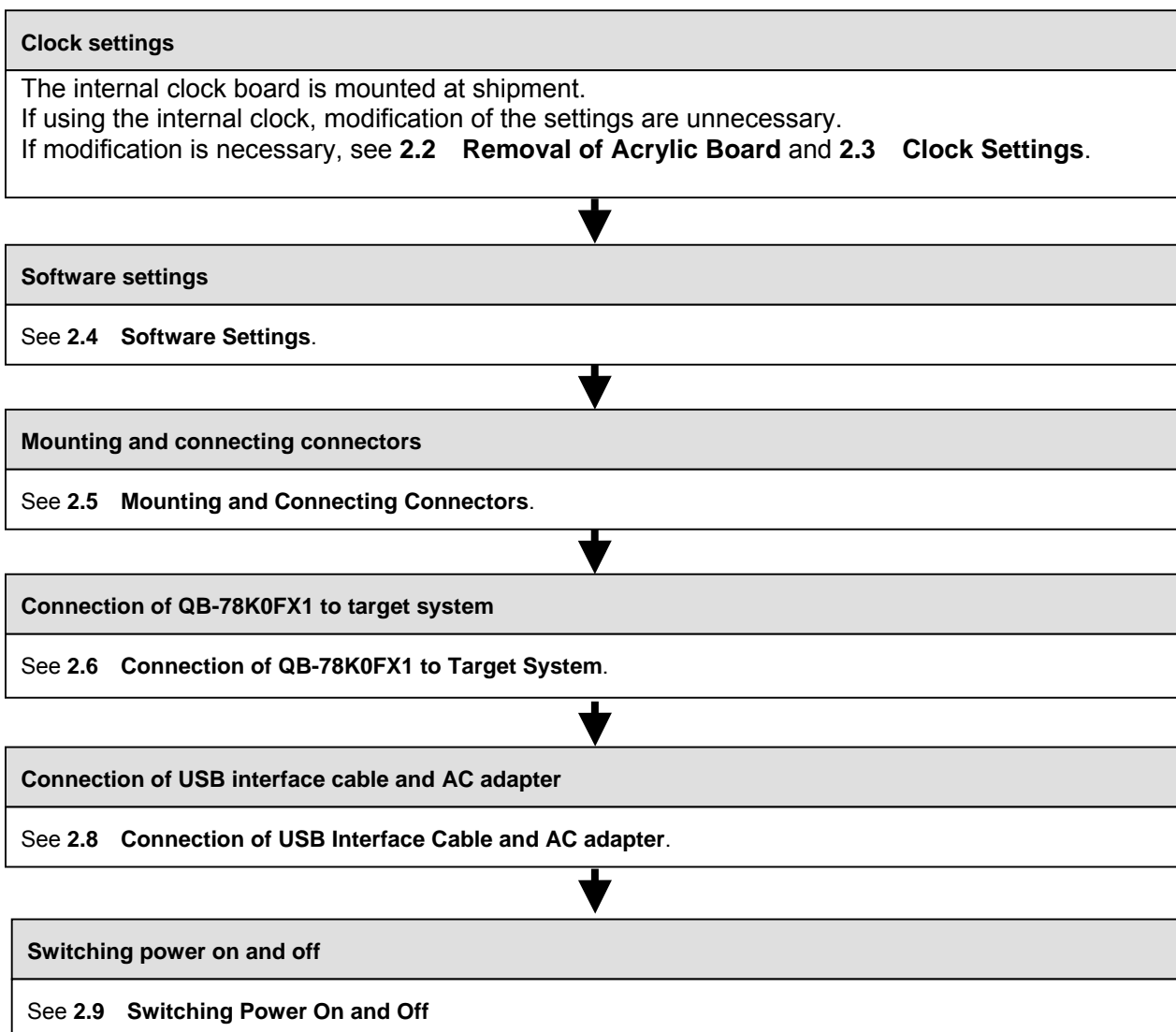
CHAPTER 2 SETUP PROCEDURE

This chapter explains the QB-78K0FX1 setup procedure.

Setup can be completed by performing installation setup in the order in which it appears in this chapter.

Perform setup along the lines of the following procedure.

See **2.1 Names and Functions of Hardware** for clock board positions.



2.1 Names and Functions of Hardware

Figure 2-1. Names of Parts of QB-78K0FX1

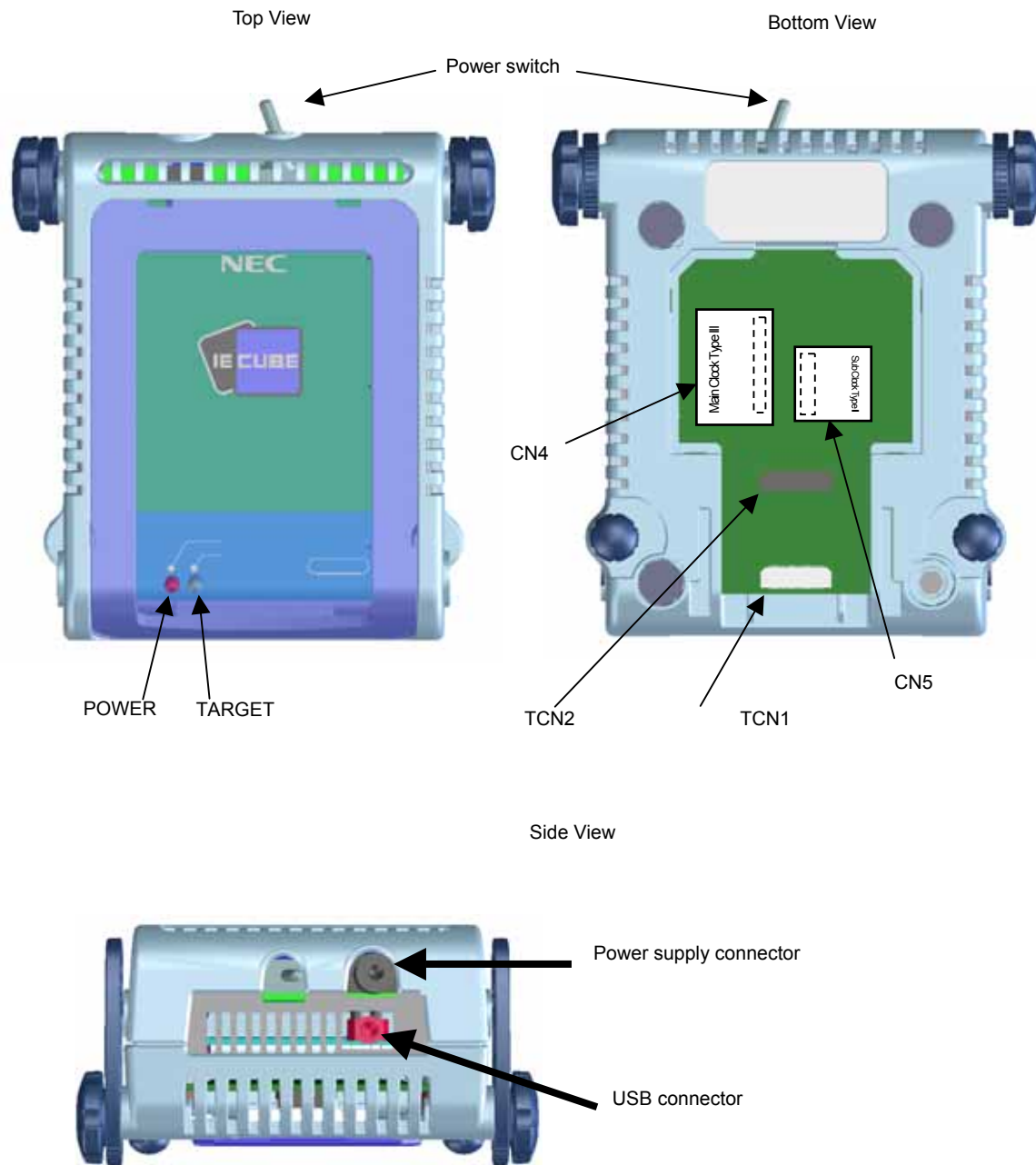
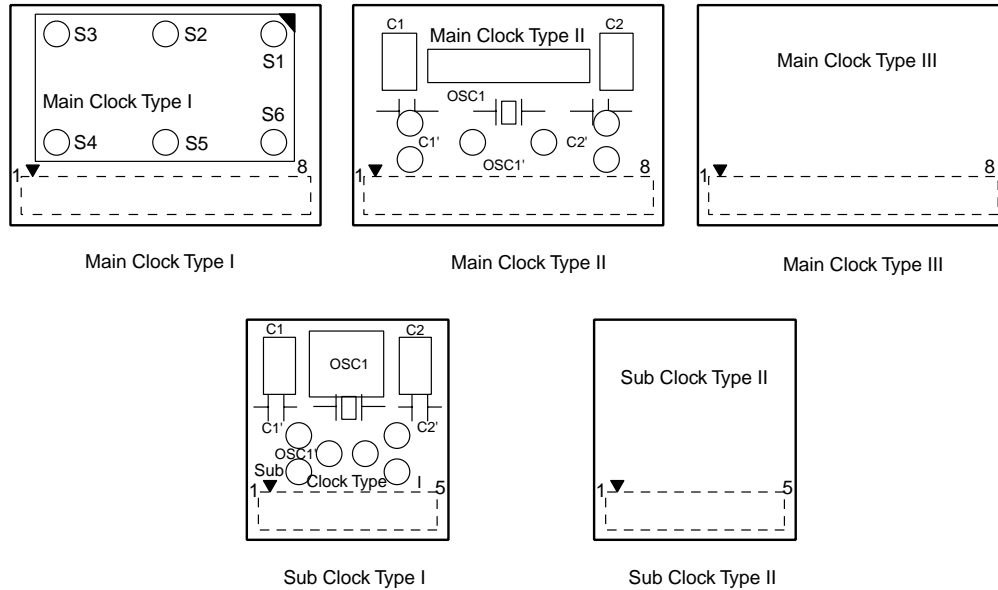


Figure 2-2. Clock Board



(1) TCN1, TCN2

These are connectors for connecting a check pin adapter or emulation probe.

(2) CN4

CN4 (Main clock board connector) is the connector for mounting the main clock board. Main Clock Type III is mounted at shipment.

(3) CN5

CN5 (Subclock board connector) is the connector for mounting the subclock board. Sub Clock Type II is mounted at shipment.

(4) POWER (Red LED)

This is an LED that shows whether or not the power supply of the QB-78K0FX1 is switched on.

LED State	QB-78K0FX1 State
Lit	Power switch ON
Not lit	Power switch OFF or AC adapter not connected to QB-78K0FX1
Blinking	Internal error occurred (Contact an NEC Electronics sales representative or distributor)

(5) TARGET (Green LED)

This is an LED that shows whether or not the power supply of the target system is switched on.

LED State	Target System State
Lit	Target system power supply ON
Not lit	Target system power supply OFF or target system not connected

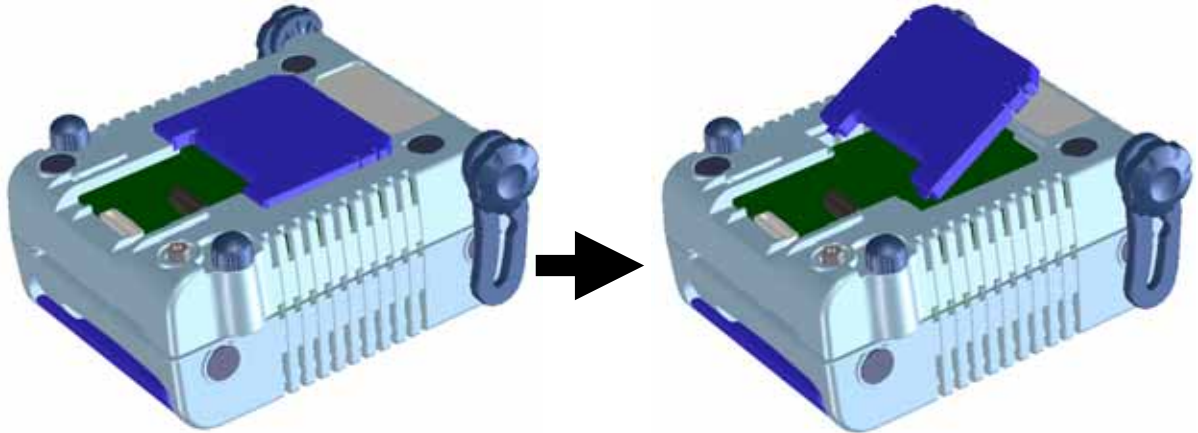
(6) Power switch

This is the power switch of the QB-78K0FX1.
It is OFF at shipment.

2.2 Removal of Acrylic Board

To modify the clock setup, the acrylic board on the bottom of the QB-78K0FX1 must be removed. The acrylic board can be removed by lifting it up.

Figure 2-3. Acrylic Board Removal Method



2.3 Clock Settings

2.3.1 Overview of clock settings

The following 7 types of clock settings are available.

For details, see **2.3.2 Clock setting methods**.

Main system clock

- (1) Mount the clock board in CN4 and use the internally generated clock
- (2) Mount the clock board in CN4 and use an externally input clock
- (3) Mount the oscillator clock board in CN4 and generate the clock from the clock board
- (4) Mount the oscillation circuit clock board in CN4 and generate the clock from the clock board

Subsystem clock

- (1) Mount the clock board in CN5 and use the internally generated clock
- (2) Mount the clock board in CN5 and use an externally input clock
- (3) Mount the oscillation circuit clock board in CN5 and generate the clock from the clock board

2.3.2 Clock setting methods

This section shows the hardware settings when setting the clock.

Table 2-1. Hardware Settings When Setting Main System Clock

Type of Clock to Use	CN4	Remarks
(1) Mount clock board in CN4 and use internally generated clock	Mount Main Clock Type III in CN4.	Mounted in CN4 at shipment
(2) Mount clock board in CN4 and use externally input clock	Mount Main Clock Type III in CN4.	Mounted in CN4 at shipment
(3) Mount oscillator clock board in CN4 and generate clock from clock board	Mount Main Clock Type I on which oscillator is mounted in CN4.	
(4) Mount oscillation circuit clock board in CN4 and generate clock from clock board	Mount Main Clock Type II on which oscillation circuit is assembled in CN4.	

Remark Settings other than the above are prohibited.

Table 2-2. Hardware Settings When Setting Subsystem Clock

Type of Clock to Use	CN5	Remarks
(1) Mount clock board in CN5 and use internally generated clock	Mount Sub Clock Type II in CN5	Mounted in CN5 at shipment
(2) Mount clock board in CN5 and use externally input clock	Mount Sub Clock Type II in CN5	Mounted in CN5 at shipment
(3) Mount oscillation circuit clock board in CN5 and generate clock from clock board	Mount Sub Clock Type I on which oscillation circuit is assembled in CN5	

Remark Settings other than the above are prohibited.

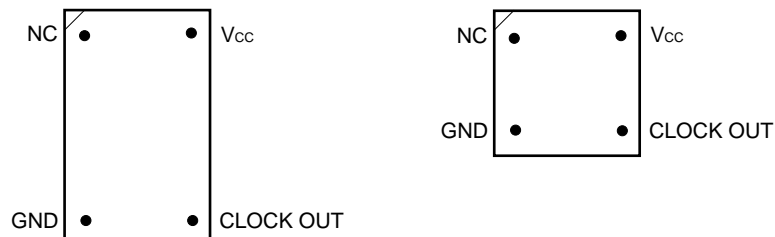
2.3.3 Main system clock

(1) For mounting Main Clock Type I (for oscillator use)

◆ Things to prepare

- Oscillator (with pins as shown in Figure 2-4 and 5 V power supply)

Figure 2-4. Oscillator (Main System Clock)



Top View

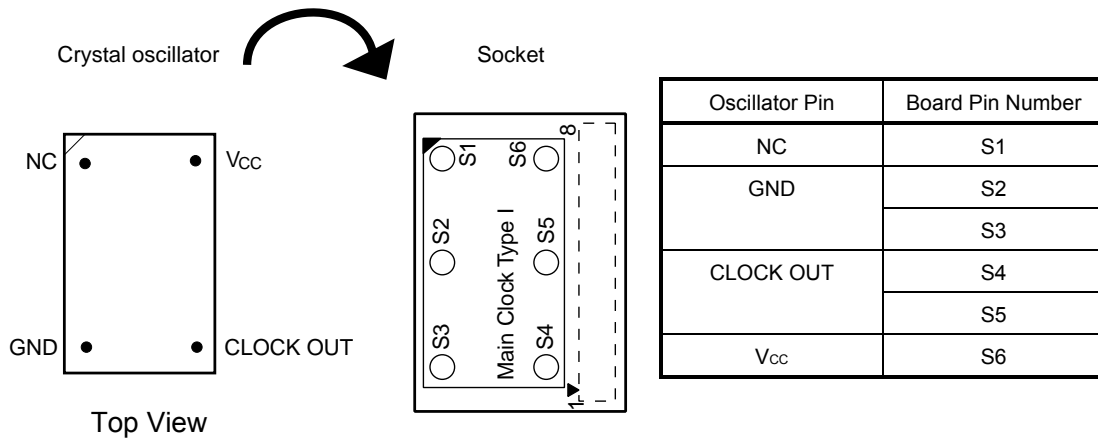
<Procedure>

<1> Prepare the QB-78K0FX1 and Main Clock Type I. Remove the clock board that is mounted in the CN4 socket on the QB-78K0FX1.

When removing the clock board, do so carefully, since the pins of the CN4 socket bend easily.

<2> Implement the prepared oscillator in Main Clock Type I. Carefully insert it in the direction of the number 1 pin mark.

Figure 2-5. Mapping of Oscillator to Main Clock Type (Main System Clock)



<3> Fit Main Clock Type I prepared in <2> in the CN4 socket from which the clock board was removed in <1>.

In the debugger, only the "Clock Board" button can be selected (others displayed in gray) at this time. For the frequency at this time, the clock of the oscillator that is mounted on the clock board is used.

(2) For mounting Main Clock Type II (for oscillation circuit use)

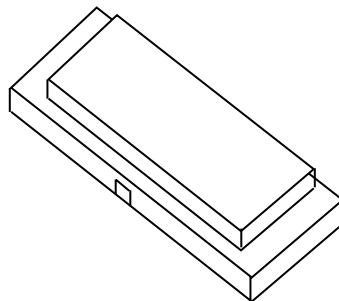
(a) When using 3-pin type resonator

◆ Things to prepare

- Ceramic resonator or crystal resonator^{Note}
- Soldering tool set

Note CSTCE10M0G (by Murata Mfg. Co., Ltd.) is assumed.

Figure 2-6. Resonator (Main System Clock: 3-Pin)



<Procedure>

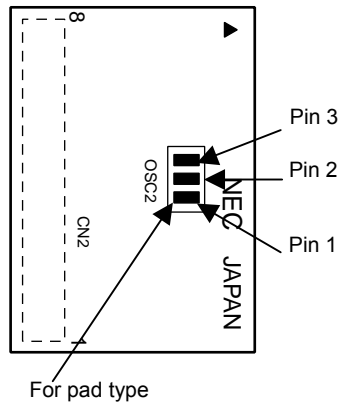
<1> Prepare the QB-78K0FX1 and Main Clock Type II. Remove the clock board that is mounted in the CN4 socket on the QB-78K0FX1.

When removing the clock board, do so carefully, since the pins of the CN4 socket bend easily.

<2> Solder the ceramic resonator or crystal resonator used in OSC1 of Main Clock Type II.

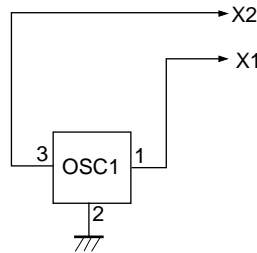
Figure 2-7. Connection to Main Clock Type II (Main System Clock: 3-Pin)

Main Clock Type II (Back)



Pin Number	Connection
OSC2	Ceramic resonator or crystal resonator

Circuit Diagram



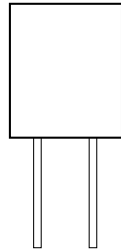
<3> Fit Main Clock Type II of <2> in the CN4 socket from which the clock board was removed in <1>.

(b) When using 2-pin type resonator

◆ Things to prepare

- Ceramic resonator or crystal resonator
- Capacitor C1
- Capacitor C2
- Soldering tool set

Figure 2-8. Resonator (Main System Clock: 2-Pin)



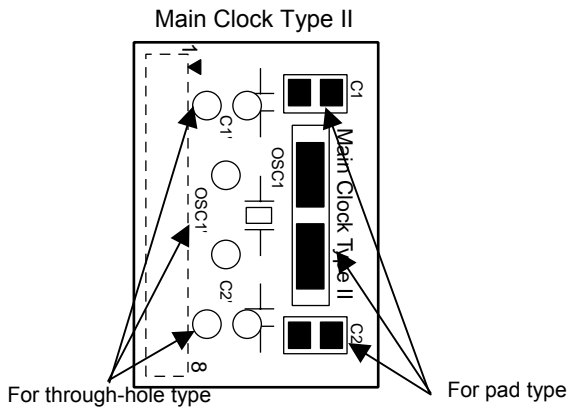
<Procedure>

<1> Prepare the QB-78K0FX1 and Main Clock Type II. Remove the clock board that is mounted in the CN4 socket on the QB-78K0FX1.

When removing the clock board, do so carefully, since the pins of the CN4 socket bend easily.

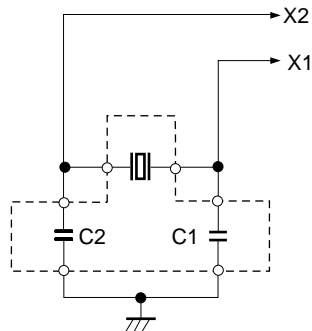
<2> Solder the ceramic resonator or crystal resonator used in OSC1 of Main Clock Type II and capacitor C1 and capacitor C2 conforming with its oscillation frequency as follows. When soldering, use either through-hole types or pad types.

Figure 2-9. Connection to Main Clock Type II (Main System Clock: 2-Pin)



Pin Number	Connection
C1, C1'	Capacitor C1
C2, C2'	Capacitor C2
OSC1, OSC1'	Ceramic resonator or crystal resonator

Circuit Diagram



<3> Fit Main Clock Type II of <2> in the CN4 socket from which the clock board was removed in <1>.

In the debugger, only the "Clock Board" button can be selected at this time (others are displayed in gray). For the frequency at this time, the clock of the oscillation circuit that is mounted on the clock board is used.

(3) For mounting Main Clock Type III (for internally generated clock or externally input clock use)

Main Clock Type III is fitted in the CN4 socket at shipment. If in the same state as at shipment, hardware settings are unnecessary.

In the debugger, only "External Clock" or "System Clock" can be selected at this time ("Clock Board" is displayed in gray). If "External Clock" is selected, a clock that is input from the target system is used. If "System Clock" is selected, select the desired frequency from the dialog menu.

If inputting an external clock, input a square wave of the same potential as the target device in the clock pin (X1, XT1) (input of inverse waveform to X2, XT2 is unnecessary).

2.3.4 Subsystem clock

(1) For mounting Sub Clock Type I (For oscillation circuit use)

◆ Things to prepare

- Ceramic resonator or crystal resonator^{Note}
- Capacitor C1
- Capacitor C2
- Soldering tool set

Note The resonator used is assumed to be NC-206 (by Kyushu Dentsu Co., Ltd.).

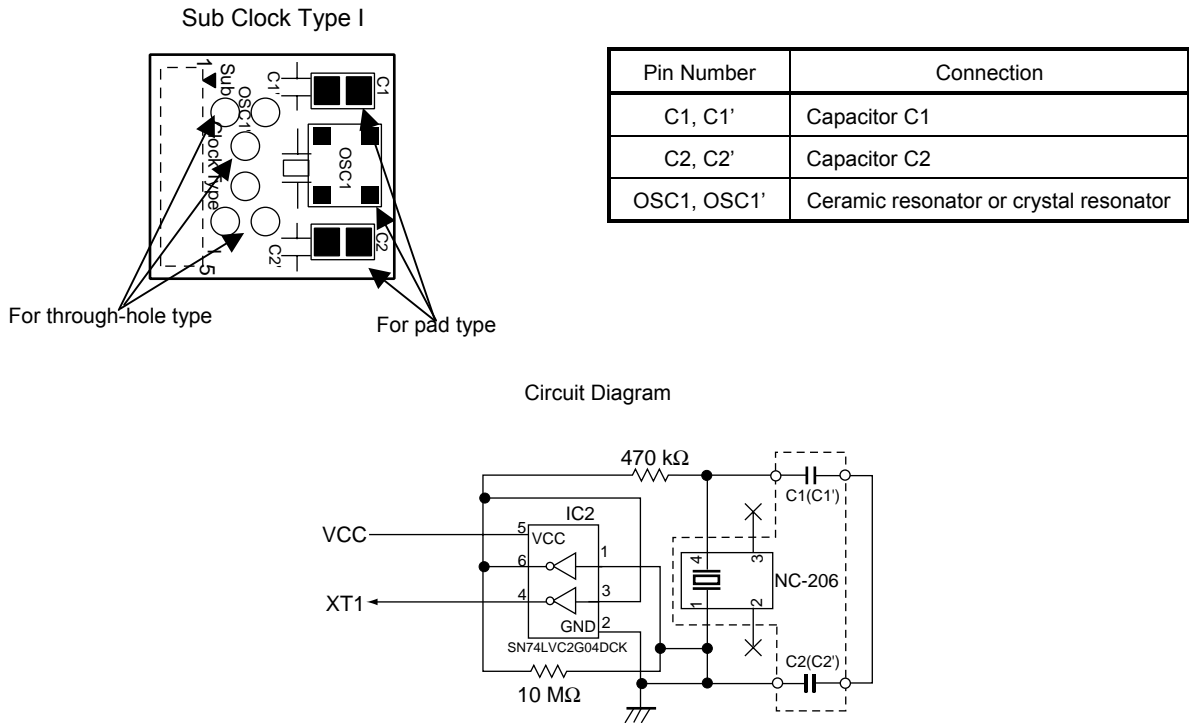
<Procedure>

<1> Prepare the QB-78K0FX1 and Sub Clock Type I. Remove the clock board that is mounted in the CN5 socket on the QB-78K0FX1.

When removing the clock board, do so carefully, since the pins of the CN5 socket bend easily.

<2> Solder the ceramic resonator or crystal resonator that is used in Sub Clock Type I and capacitor C1 and capacitor C2 that conform to its oscillation frequency as follows.

Figure 2-10. Connection to Subclock Type I (Subsystem Clock)



Remark Places surrounded by broken lines indicate portions installed on the parts board.

<3> Fit Sub Clock Type I of <2> in the CN5 socket from which the clock board was removed in <1>.

In the debugger, only the "Clock Board" button can be selected at this time (others are displayed in gray). For the frequency at this time, the clock of the oscillation circuit that is mounted on the clock board is used.

(2) For mounting Sub Clock Type II (for internally generated clock or externally input clock use)

Sub Clock Type II is fitted in the CN5 socket at shipment. If in the same state as at shipment, hardware settings are unnecessary.

In the debugger, only "External Clock" or "System Clock" can be selected at this time ("Clock Board" is displayed in gray). If "External Clock" is selected, a clock that is input from the target system is used. If "System Clock" is selected, select the desired frequency from the dialog menu.

If inputting an external clock, input a square wave of the same potential as the target device to the clock pin (X1, XT1) (input of inverse waveform to X2, XT2 is unnecessary).

2.4 Software Settings

For details, see the **ID78K0-QB Ver. 2.81 Integrated Debugger Operation User's Manual (U16996E)**.

2.5 Mounting and Connecting Connectors

This section describes the methods of connecting the QB-78K0FX1 and target system.

Make connections with both the QB-78K0FX1 and target system powered OFF.

The following abbreviations are used in this section.

- NQ: Target connector
- YQ: YQ connector
- EA: Exchange adapter
- HQ: Mount adapter
- CA: Check pin adapter
- YS: Spacer adapter

2.5.1 Mounting NQ in target system

- (1) Thinly apply a two-component epoxy adhesive (hardening time at least 30 minutes) to the ends of the four projections on the base of the NQ and adhere the NQ to the user board (clean the surface of the user board using alcohol or the like). If alignment of user board pads to NQ leads is difficult, align them as in (2).
- (2) Align by inserting the guide pins for alignment for the NQ (NQ-Guide) through the pin holes on the top of the NQ. Accessory holes are $\phi 1.0$ mm non-through holes in 2 or 3 places.
(For hole positions, see the particular NQ drawing.)
- (3) Solder after fitting the HQ to the NQ. This is to prevent troubles such as flux or solder splashing and adhering to the NQ contact pins when soldering.
 - Soldering conditions Solder reflow 240°C × 20 seconds or less
 Manual soldering 240°C × 10 seconds or less (1 pin)

Caution Do not perform washing by flux immersion or vapor.

- (4) Take away the guide pins.

2.5.2 Mounting YQ on NQ

- (1) After confirming that there are no broken or bent YQ contact pins, fit the YQ in the NQ and fasten the screw. If repeatedly inserting and removing, be sure to inspect the YQ pins before fitting. If pins are bent, correct them using something thin and flat such as the edge of a knife.
- (2) Accessory holes are needed in prescribed positions in 4 places in the board for connecting the YQ. Fasten the YQ to the NQ on the user board using the supplied M2 × 10 mm screws. The thickness of a board corresponding to these screws is 1.0 to 2.0 mm. Fasten the screws equally in the four corners using a No. 1 or No. 0 precision (+) driver or torque driver. The tightening torque of the screws is 0.55kg • f • cm (0.054N • m) Max. Too great tightening causes bad connections.
Screws for fitting to the NQ (M2 × 10 mm/4) are included with the YQ.

2.5.3 Plugging EA into YQ

Match the No. 1 pin position of the YQ or YS (C cuts match in both) to the No. 1 pin position of the EA and plug in.

- When plugging or unplugging, press on the NQ, YQ, and YS with a finger so that there is no force on the NQ.
- When plugging or unplugging, be careful of the direction of rocking.

As a tool when unplugging, insert a bamboo skewer or the like between the YQ (YS) and EA and rock while slowly unplugging. Be careful since the connector will be damaged if this is done in the wrong direction.

2.5.4 Precautions for handling NQ, YQ, YS

- (1) When taking the NQ from the box, press down on the body and take out the sponge first.
- (2) Since the pins of the YQ are thin and easily bent, be careful. When inserting it in the NQ, confirm that there are no bent pins.
- (3) When screwing a YQ soldered to a board to the NQ, fasten the screws in four places in turn using a No. 0 or No. 1 (+) precision driver or torque driver after tentatively tightening them. Fix the torque at 0.054 Nm (Max.). If just one place is overtightened, it may cause poor contact. Moreover, a board being connected to the YQ must have accessory holes in prescribed positions (4 places: $\phi 2.3$ mm or $\phi 3.3$ mm). The $\phi 3.8$ mm or $\phi 4.3$ mm that is the screw head size is an area where wiring is prohibited.
- (4) In YQ and YS removal, since there is a danger of YQ pins being bent or broken when prying and rocking, remove them gradually using a (-) driver from four directions. Moreover, to connect and use the YQ and YS, screw the YQ to the NQ according to the YQGUIDE (sold separately) using a 2.3 mm (-) driver and then connect it to the YS. Fix the torque at 0.054 Nm (Max.). If even one place is overtightened, it may cause poor contact.
- (5) For the NQ, YQ, and YS, since there is a danger that washing fluid on the structure will remain in the connector, do not perform washing.
- (6) NQ, IC, and YQ cannot be used in combination.
- (7) An NQ/YQ system cannot be used in an environment of vibrations or shocks.
- (8) It is assumed that this product will be used in system development and evaluation. Moreover, when used in Japan, Electrical Appliance and Material Control Law and electromagnetic disturbance countermeasures have not been applied.
- (9) Since there are rare cases of shape change if the box is left for a long time in a place where it is 50°C or higher, for safekeeping, store it in a place where it is no higher than 40°C and direct sunlight does not hit it.
- (10) For details about handling the NQ, YQ, and YS, see the NQPACK series technical materials at the website of Tokyo Eletech Corporation.

Tokyo Eletech Corporation website: <http://www.tetc.co.jp/>

2.5.5 Precautions on mounting NQ and IC

- (1) Confirm that there is no weld flash in the resin (sealant part) of the IC. If there is weld flash, remove it using a knife or the like.
- (2) Confirm that there is no weld flash breaking or bending of IC leads. In particular, confirm the planarity of IC leads. If there is abnormality in the planarity, correct that portion.
- (3) Viewing the NQ contact pins from the top, if there are foreign bodies on them, remove them using a brush or the like.

After confirming (1) to (3), fit the IC to the NQ. Also fit the HQ.

- (4) Put the supplied M2 × 6 mm screws in the 4 accessory holes of the HQ and fasten the screws in opposite corners. At that time, use either the dedicated screw driver that is supplied or a torque driver to fasten them equally in turn with a tightening torque of MAX. 0.55 kg • f (0.054 Nm). Since the contact is poor if tightening is too great, once you have lightly fastened the HQ screws, tighten them again.
- (5) Depending on the use environment, when starting up a device that has been left for a long time, starting it may be difficult. In this case, loosen the screws slightly and then retighten them.
- (6) If startup still is difficult after (5) above, check (1) to (3) again.
- (7) Tightening the screws of the HQ too much may give rise to cracks in the molded part of the HQ (plastic part) and bend the mold into a bowed shape, making contact poor.
- (8) After soldering the NQ, do not perform washing by flux immersion or vapor.

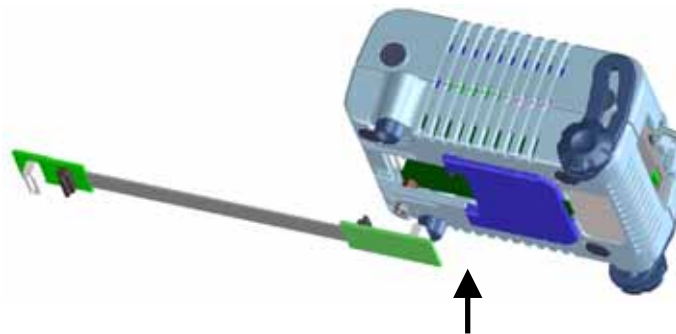
2.6 Connection of QB-78K0FX1 to Target System

If connecting the emulation probe (QB-80-EP-01T), connect it to the QB-78K0FX1 and the target system by the following procedure.

(a) Connection of emulation probe

Connect the emulation probe to the QB-78K0FX1.

Figure 2-11. Emulation Probe Connection Method



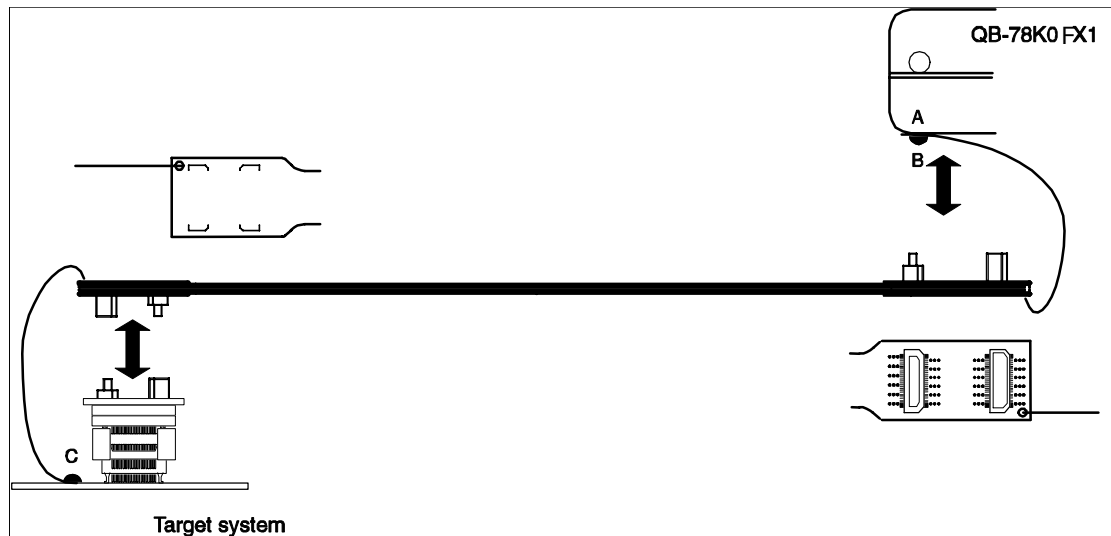
Insert CN1 and CN2 of the probe into TCN1 and TCN2 of the QB-78K0FX1.

(b) Connection of emulation probe GND wire

There are 2 GND wires in the emulation probe. Connect them to the QB-78K0FX1 and target system.

- <1> Fasten the GND wire on the QB-78K0FX1 side of the emulation probe to the nut on the bottom of the QB-78K0FX1 using a #0 or #1 (+) precision driver (connection of B to A in Figure 2-12).
- <2> Next plug the connector on top of the emulation probe into the connector in the opening in the bottom of the QB-78K0FX1 from below being careful of the insertion direction.

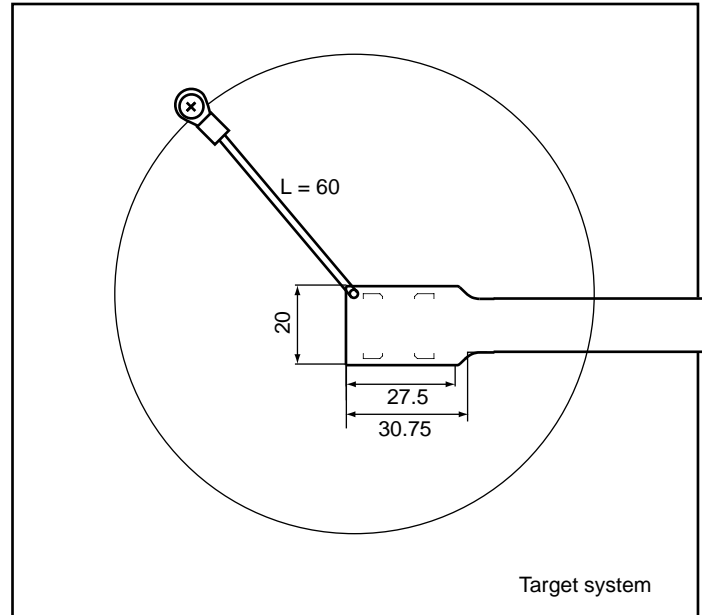
Figure 2-12. GND Wire



- <3> Connect the exchange adapter and emulation probe to the target connector.
- <4> Connect the GND wire on the target system side of the emulation probe to the target system GND. If a pin or screw is fastened to the target system GND, remove the transparent terminal cover on the end of the GND wire and fasten the Y terminal of the GND wire to the target system (C in Figure 2-12). If the GND on the target system is an exposed pad, likewise fasten the Y terminal to the pad on the target system by soldering (recommended soldering iron temperature setting: 300°C).

<5> Since the length of the GND wire below the head (insulated part) is approximately 60 mm, there must be a GND to which it can be connected in the range of an approximately 60 mm radius of the section of the target system for connecting the emulation probe, as shown in Figure 2-13.

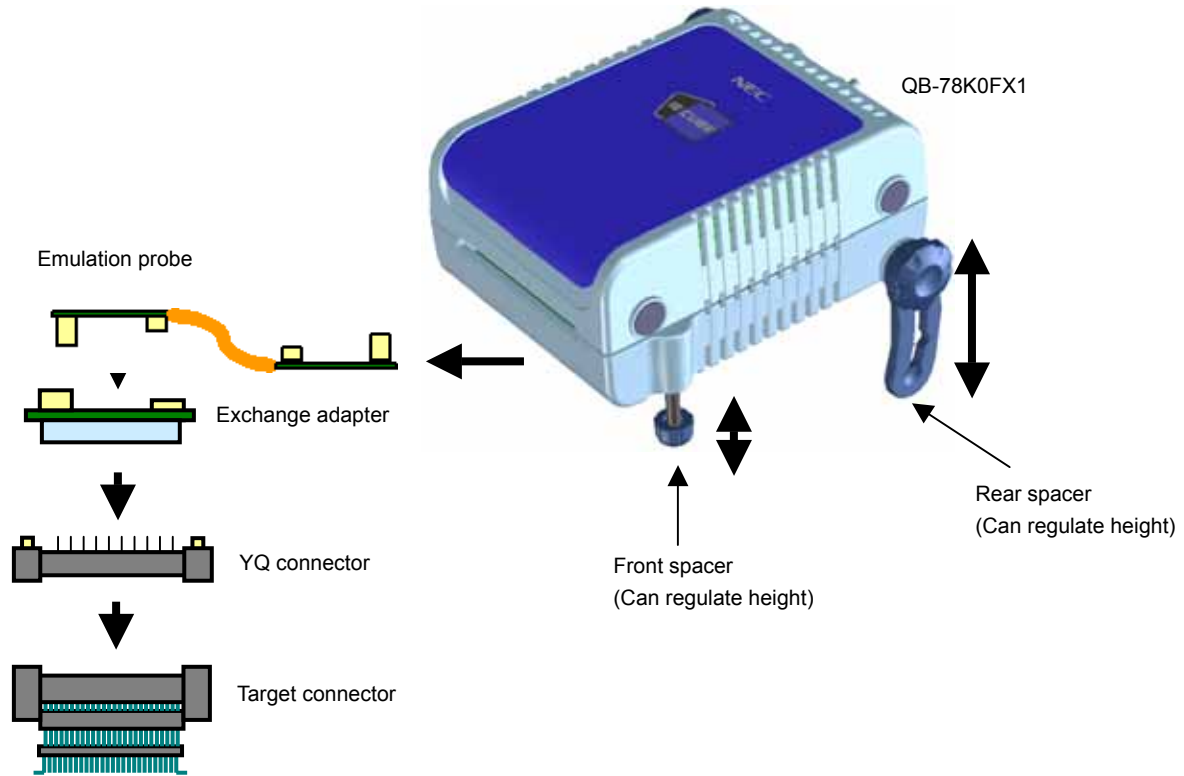
Figure 2-13. Where GND Wire Can Be Connected



(c) Ensuring isolation

When connecting the target system to the QB-78K0FX1 using an emulation probe, perform height regulation using the front spacer or rear spacer of the QB-78K0FX1 and ensure isolation from the target system.

Figure 2-14. Connection Using Emulation Probe



(d) Precautions related to emulation probe

The following precautions pertain to using the emulation probe.

- <1> Be careful that stress of the emulation probe is not placed on the target connector. Moreover, when removing the emulation probe, remove it slowly while pressing down on the exchange adapter with a finger so that there is no stress on the target connector.
- <2> Be sure to connect the GND wire of the emulation probe to the QB-78K0FX1 and the target system. If it cannot be connected, the impedance of the cable is unstable and could bring about lowering of signal transmission characteristics or distortion of the output waveform for an input waveform.

2.7 Power Supply and GND Pin Connection Precautions

For power supplies and GND pins of the target device, be sure to connect all pins to each power supply or GND.

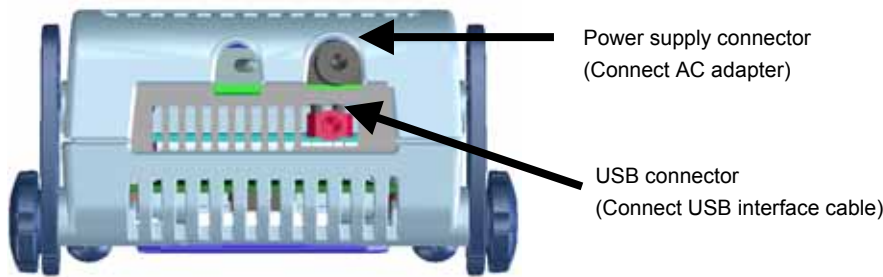
2.8 Connection of USB Interface Cable and AC Adapter

Plug the USB interface cable supplied with the QB-78K0FX1 into the USB connector of the host machine and also plug it into the USB connector on the rear of the QB-78K0FX1.

Plug the AC adapter supplied with the QB-78K0FX1 into a receptacle and plug it into the power supply connector on the rear of the QB-78K0FX1.

For QB-78K0FX1 connector positions, see **Figure 2-15**. There are three types of AC adapter plug. Use the one that has a suitable shape.

Figure 2-15. Connector Positions



2.9 Switching Power On and Off

Be sure to switch the power on and off according to the following procedures.

- Switching power on

- <1> QB-78K0FX1 power on
- <2> Target system power on^{Note}
- <3> Debugger startup

- Switching power off

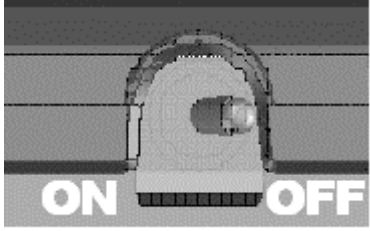
- <1> Debugger termination
- <2> Target system power off^{Note}
- <3> QB-78K0FX1 power off

Note In the procedures, <2> is unnecessary if the target system is not connected.

Caution If there is a mistake in the order, the target system or QB-78K0FX1 may fail.

CHAPTER 3 SETTINGS AT PRODUCT SHIPMENT

Table 3-1. Settings at Shipment

Item	Setting	Remarks
CN4	Main Clock Type III is mounted	
CN5	Sub Clock Type II is mounted	
Power switch		Set to OFF at shipment.

CHAPTER 4 DIFFERENCES BETWEEN TARGET INTERFACE CIRCUIT AND TARGET DEVICE

This chapter explains the differences between the signal lines of a target interface circuit of the QB-78K0FX1 and the signal lines of a target device

Although the target device is a CMOS circuit, the target interface circuit of the QB-78K0FX1 consists of an emulation circuit that depends on the emulation CPU, TTL, CMOS-IC, or other.

When the target system is debugged by connecting it to the QB-78K0FX1, the QB-78K0FX1 emulates just as if the actual target device were operating on the target system.

However, small differences arise because the QB-78K0FX1 actually is emulating.

- (1) Signals input and output by emulation CPU (μ PD78F0876)
- (2) Signals input and output by emulation CPU (FPGA)
- (3) Other signals

The circuits of the QB-78K0FX1 for the signals in (1) to (3) above are shown below by target device.

4.1 For 78K0FC1+ Emulation

For the signals in (1) to (3) below, see **Figure 4-1 Emulation Circuit Equivalent Circuit 1.**

(1) Signals input and output by emulation CPU (μ PD78F0876)

- P01-P00
- P17-P10
- P33-P30
- P73-P70
- P87-P80
- P120
- P130
- AV_{REF} , V_{DD} , EV_{DD}

(2) Signals input and output by emulation CPU (FPGA)

- $\overline{P41}$ - $\overline{P40}$
- $\overline{P62}$ - $\overline{P60}$
- X1, XT1, \overline{RESET} , FLMD0

Note For the 78K0FB1+, the pin name is FLMD0.

(3) Other signals

- X2, XT2, NC, V_{SS} , EV_{SS} , AV_{SS}

Figure 4-1. Emulation Circuit Equivalent Circuit 1 (1/2)

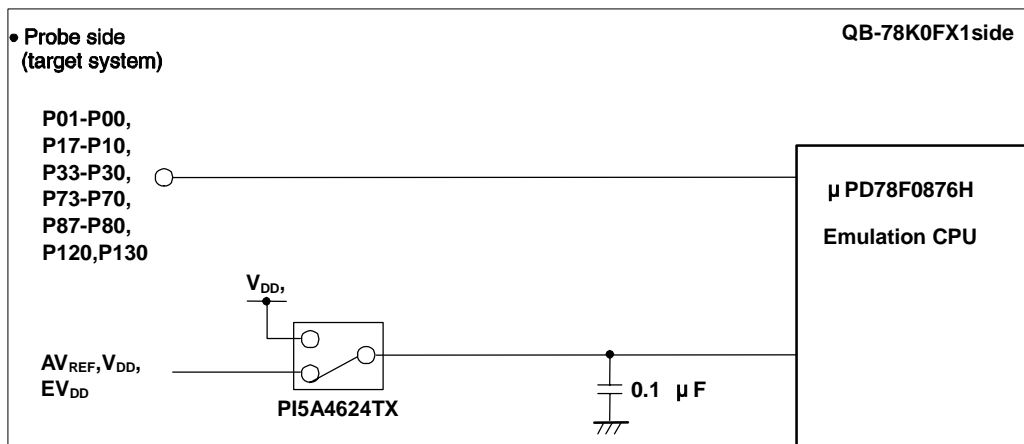
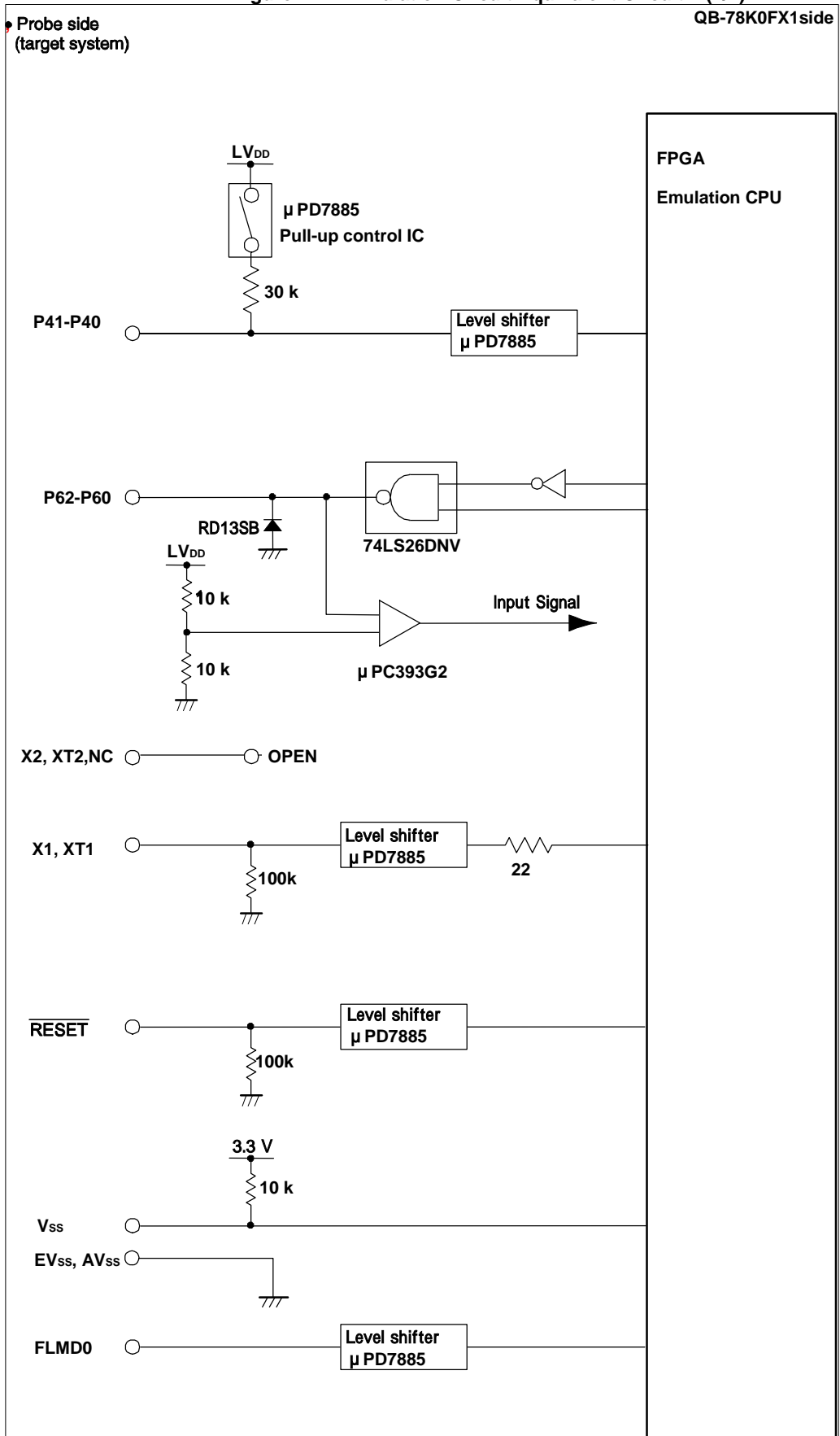


Figure 4-1. Emulation Circuit Equivalent Circuit 1 (2/2)



4.2 For 78K0/FE1+ Emulation

For the signals in (1) to (3) below, see **Figure 4-2 Emulation Circuit Equivalent Circuit 2.**

(1) Signals input and output by emulation CPU (μ PD78F0876)

- P01-P00
- P06-P05
- P17-P10
- P33-P30
- P76-P70
- P87-P80
- P93-P90
- P120
- P130-P132
- AV_{REF} , V_{DD} , EV_{DD}

(2) Signals input and output by emulation CPU (FPGA)

- P43-P40
- P53-P50
- P63-P60
- X1, XT1, RESET, , FLMD0

(3) Other signals

- X2, XT2, NC, V_{SS} , EV_{SS} , AV_{SS}

Figure 4-2. Emulation Circuit Equivalent Circuit 2 (1/2)

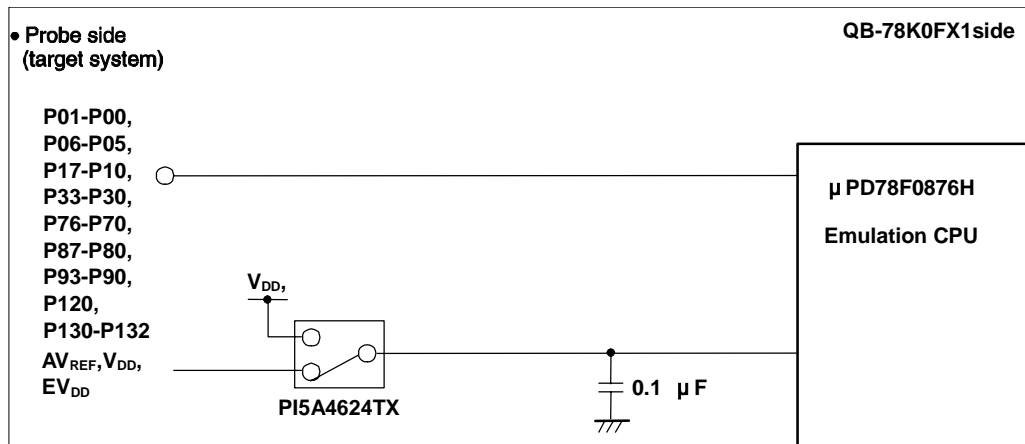
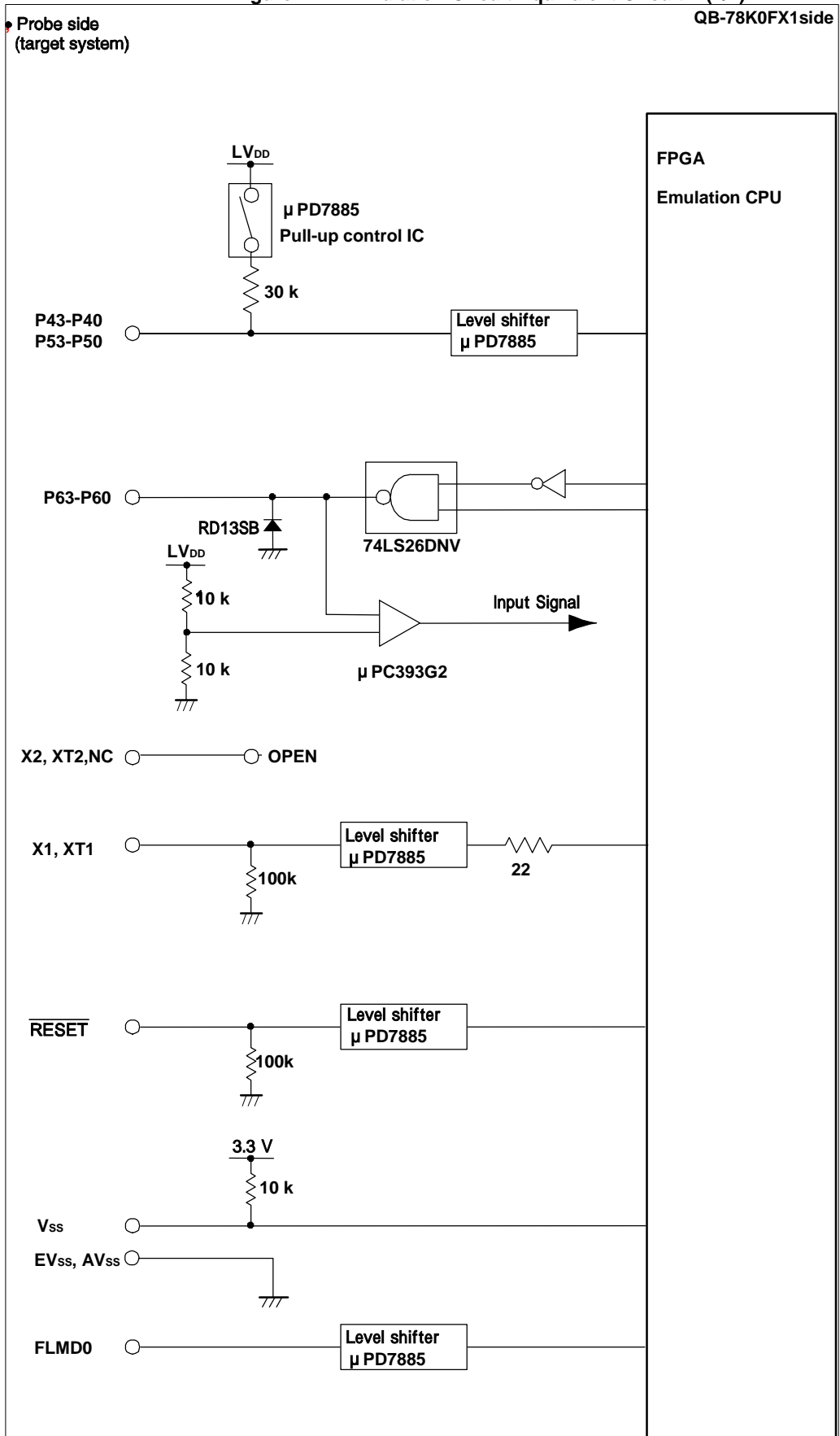


Figure 4-2. Emulation Circuit Equivalent Circuit 2 (2/2)



4.3 For 78K0/FF1+ Emulation

For the signals in (1) to (3) below, see **Figure 4-3 Emulation Circuit Equivalent Circuit 3.**

(1) Signals input and output by emulation CPU (μ PD78F0876)

- P01-P00
- P06-P05
- P17-P10
- P33-P30
- P76-P70
- P87-P80
- P97-P90
- P120
- P130-P132
- AV_{REF} , V_{DD} , EV_{DD}

(2) Signals input and output by emulation CPU (FPGA)

- P47-P40
- P57-P50
- P67-P60
- X1, XT1, \overline{RESET} , FLMD0

(3) Other signals

- X2, XT2, NC, V_{SS} , EV_{SS} , AV_{SS}

Figure 4-3. Emulation Circuit Equivalent Circuit 3 (1/2)

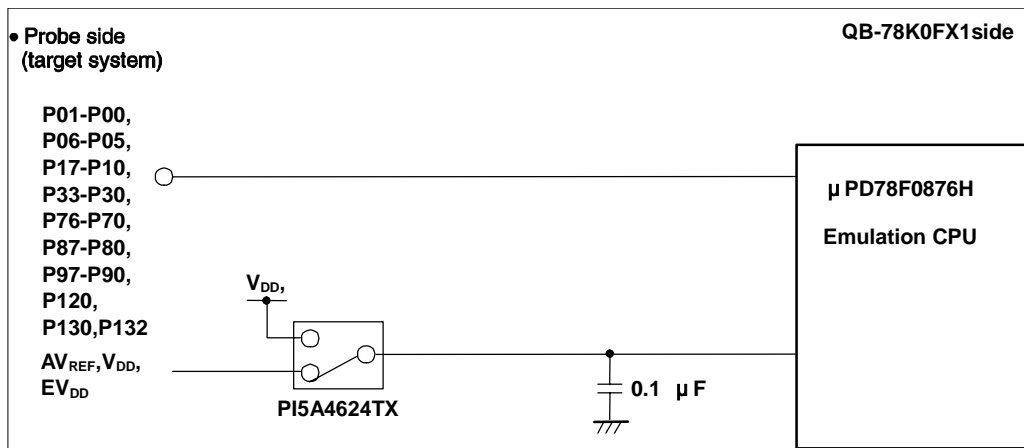
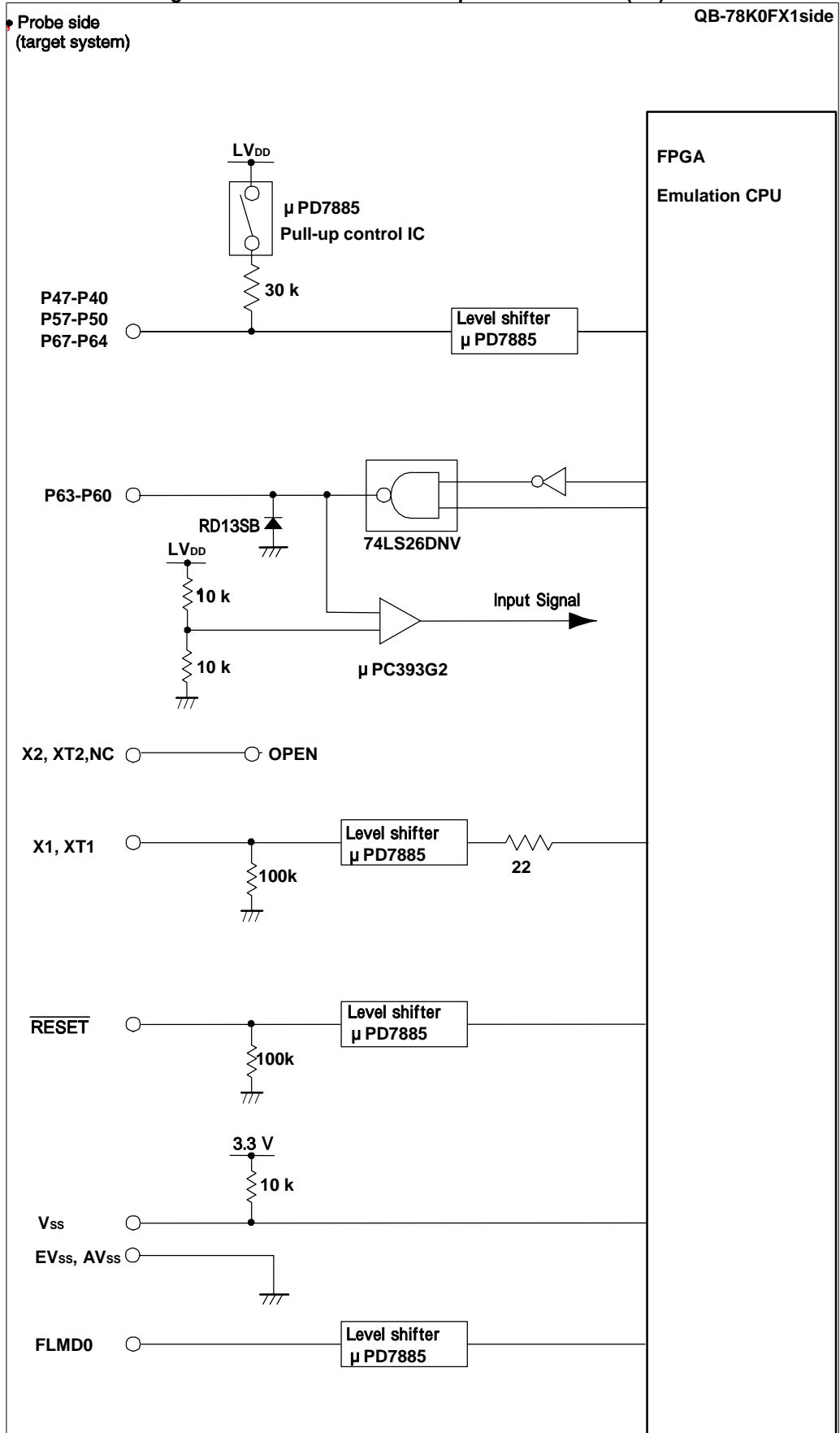


Figure 4-3. Emulation Circuit Equivalent Circuit 3 (2/2)



CHAPTER 5 CAUTIONS

Observe the following cautions.

- Do not turn off the target power supply during a break (power supply can be turned off only during RUN).
- Even when using the product without connecting a target system, connect and use the emulation probe and exchange adapter.

If the product is used without connecting the emulation probe and exchange adapter, a warning window is displayed but use is possible.

CHAPTER 6 RESTRICTIONS

About a restriction matter ,Please refer to QB-78K0FX1 Operating Precautions.

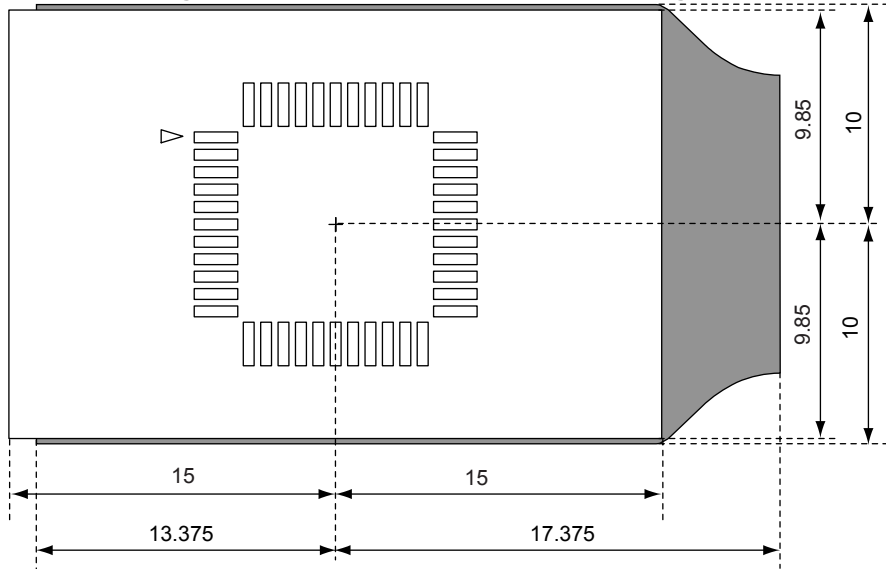
APPENDIX A NOTES ON TARGET SYSTEM DESIGN

This section shows areas on the target system where component mounting is prohibited and areas where there are component mounting height restrictions.

(1) For 78K0FC1+

(a) For 44-pin GB package

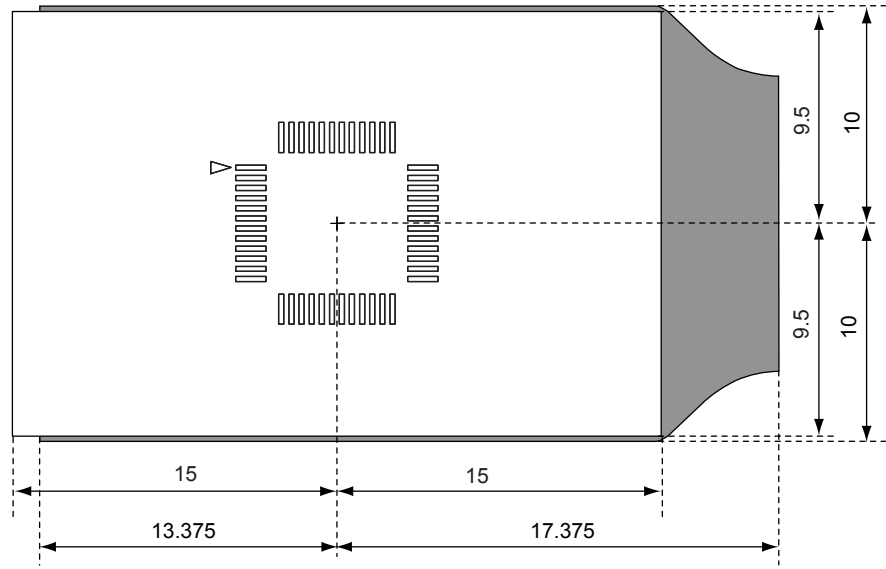
Figure A-1. For 78K0/FC1+(44-Pin GB Package)



- : Exchange adapter area: Components up to 17.45 mm in height can be mounted^{Note}
 - : Emulation probe tip area: Components up to 24.45 mm in height can be mounted^{Note}
- Note** Height can be regulated by using spacer adapters (each adds 2.4 mm)

(b) For 48-pin GA package

Figure A-2. For 78K0/FC1+(48-Pin GA Package)

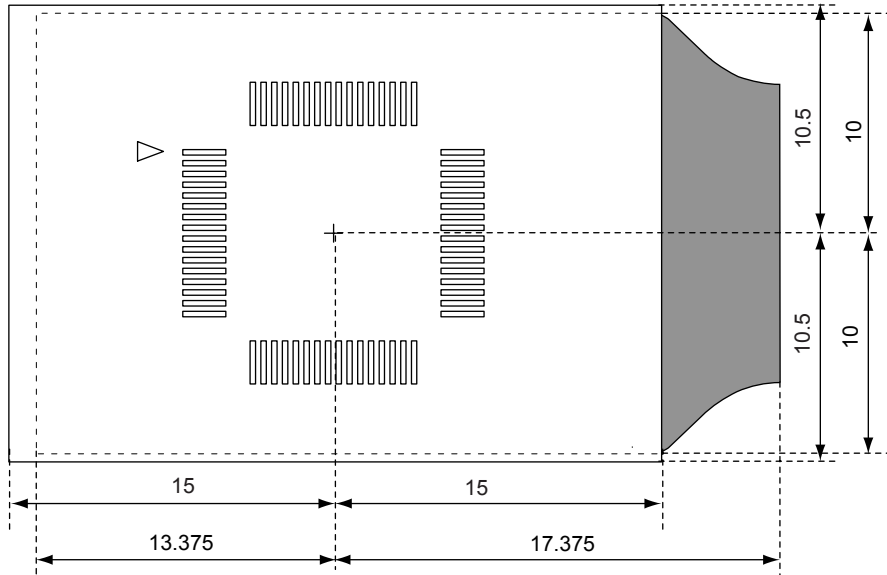


- : Exchange adapter area: Components up to 17.45 mm in height can be mounted^{Note}
 - : Emulation probe tip area: Components up to 24.45 mm in height can be mounted^{Note}
- Note** Height can be regulated by using spacer adapters (each adds 2.4 mm)

(2) For 78K0/FE1+

(a) For 64-pin GB package

Figure A-3. For 78K0/FE1+ (64-Pin GB Package)



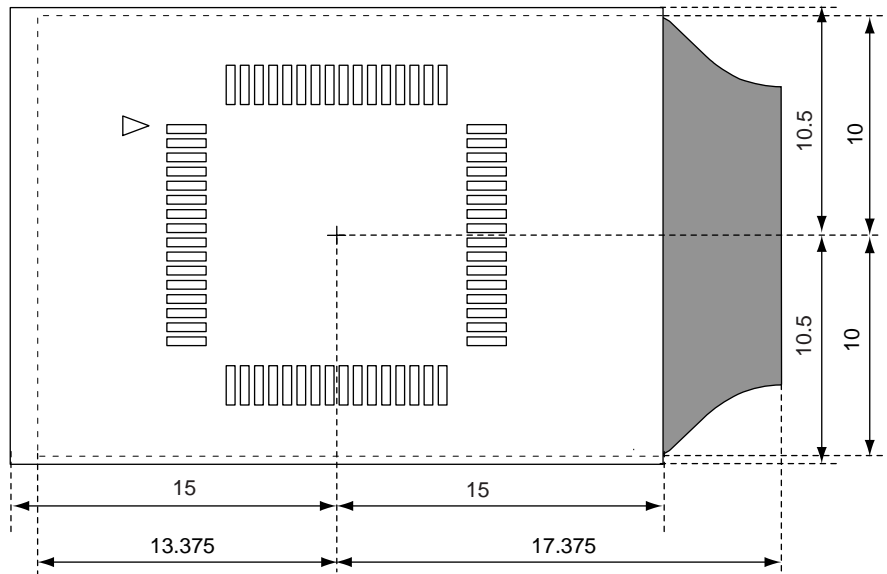
□ : Exchange adapter area: Components up to 17.45 mm in height can be mounted^{Note}

■ : Emulation probe tip area: Components up to 24.45 mm in height can be mounted^{Note}

Note Height can be regulated by using spacer adapters (each adds 2.4 mm)

(b) For 64-pin GK package

Figure A-4. For 78K0/FE1+ (64-Pin GK Package)



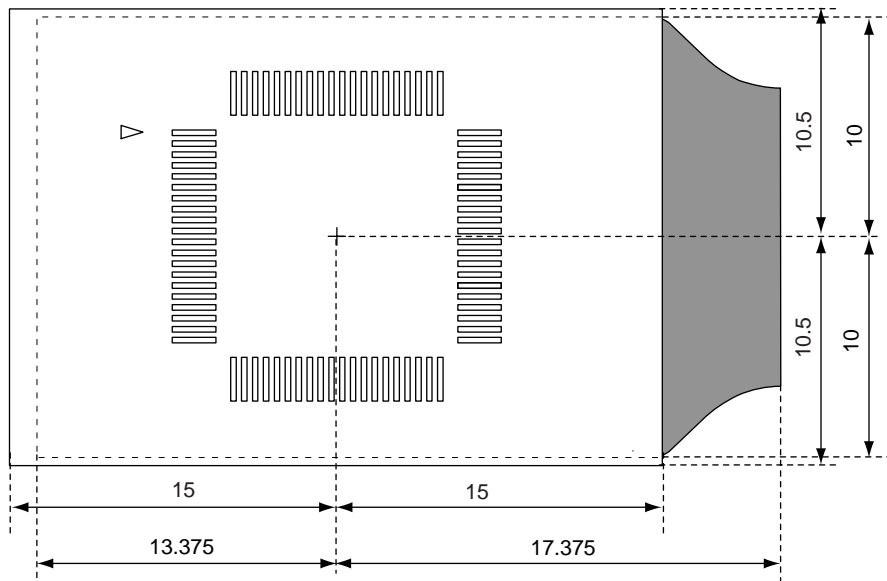
□ : Exchange adapter area: Components up to 17.45 mm in height can be mounted^{Note}

■ : Emulation probe tip area: Components up to 24.45 mm in height can be mounted^{Note}

Note Height can be regulated by using spacer adapters (each adds 2.4 mm)

- (5) For 78K0/FF1+
 (a) For 80-pin GK package

Figure A-5. For 78K0/FF1+ (80-Pin GK Package)

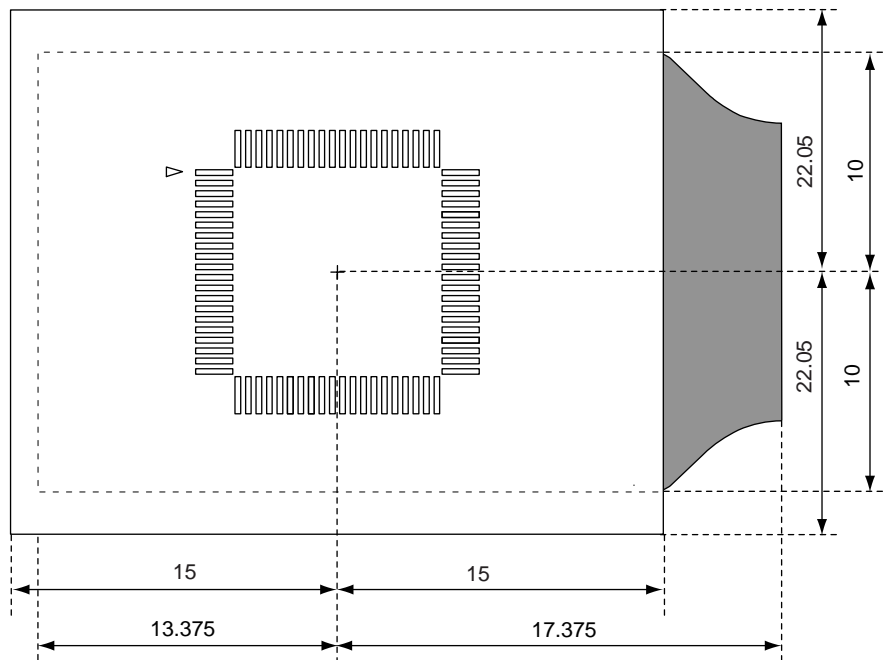


- : Exchange adapter area: Components up to 17.45 mm in height can be mounted^{Note}
 ■ : Emulation probe tip area: Components up to 24.45 mm in height can be mounted^{Note}

Note Height can be regulated by using spacer adapters (each adds 2.4 mm)

- (b) For 80-pin GC package

Figure A-6. For 78K0/FF1+ (80-Pin GC Package)



- : Exchange adapter area: Components up to 17.45 mm in height can be mounted^{Note}
 ■ : Emulation probe tip area: Components up to 24.45 mm in height can be mounted^{Note}

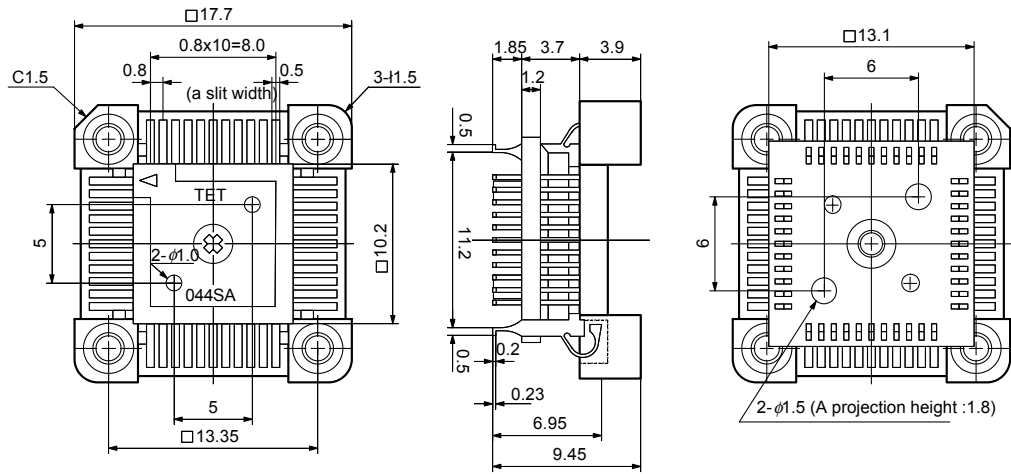
Note Height can be regulated by using spacer adapters (each adds 2.4 mm)

APPENDIX B PACKAGE DRAWINGS

B.1 Target Connectors

Figure B-1. Target Connector for 78K0/FC1+ (QB-44GB-NQ-01T)

(a) Package drawing



(b) Foot pattern

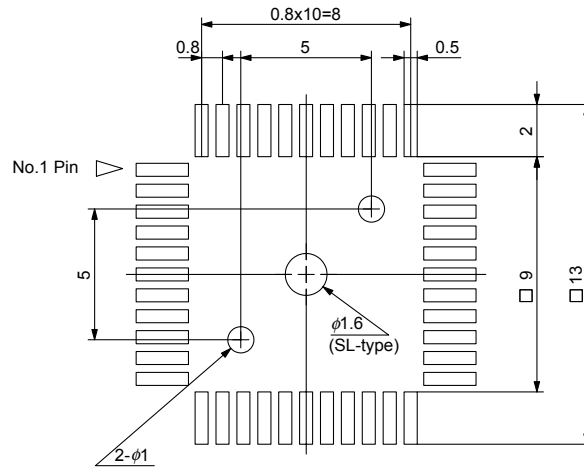
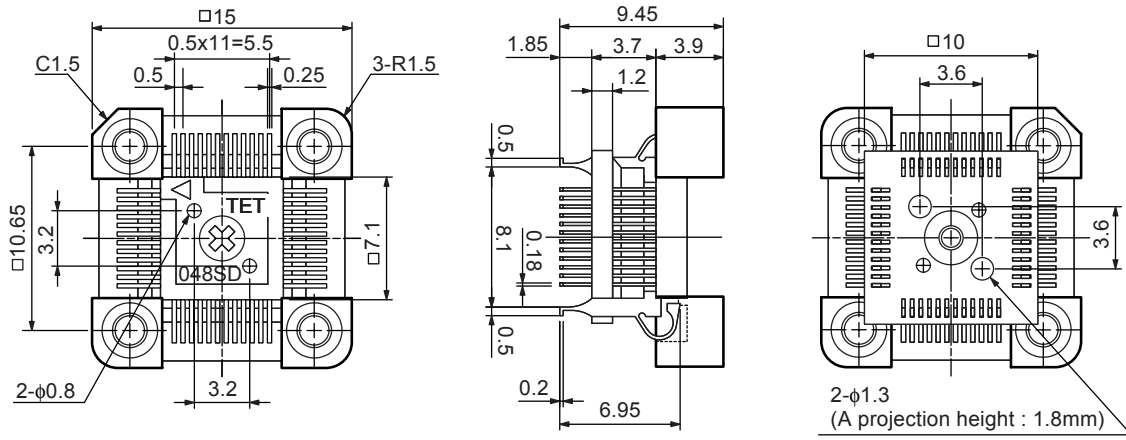


Figure B-2. Target Connector for 78K0/FC1+ (QB-48GA-NQ-01T)

(a) Package drawing



(b) Foot pattern

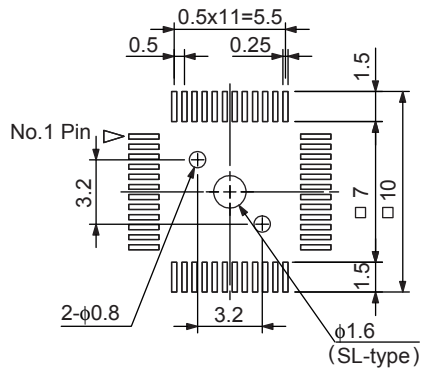
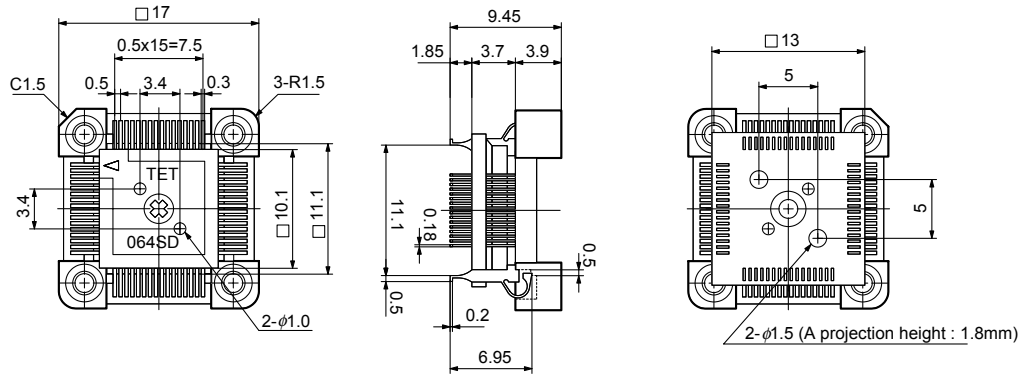


Figure B-3. Target Connector for 78K0/FE1+ (QB-64GB-NQ-01T)

(a) Package drawing



(b) Foot pattern

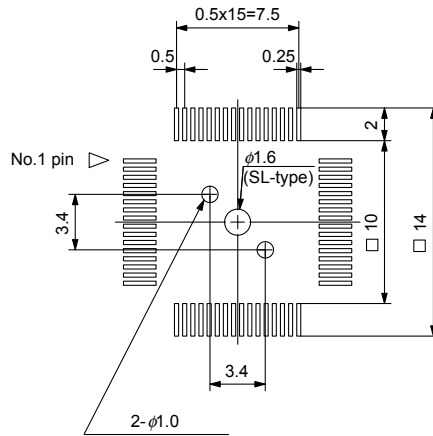
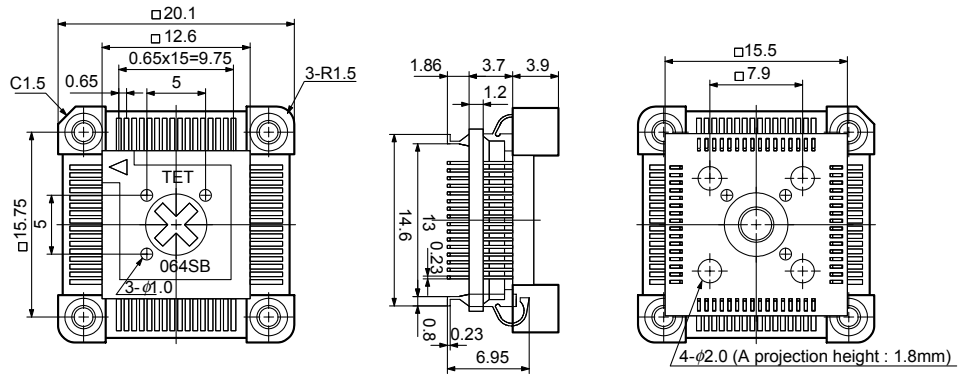


Figure B-4. Target Connector for 78K0/FE1+ (QB-64GK-NQ-01T)

(a) Package drawing



(b) Foot pattern

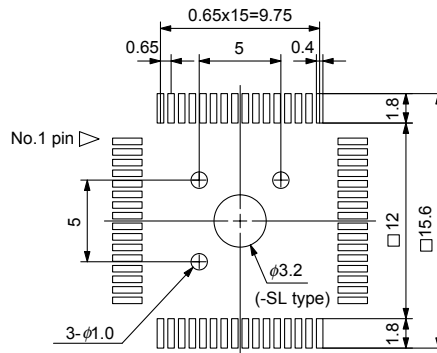
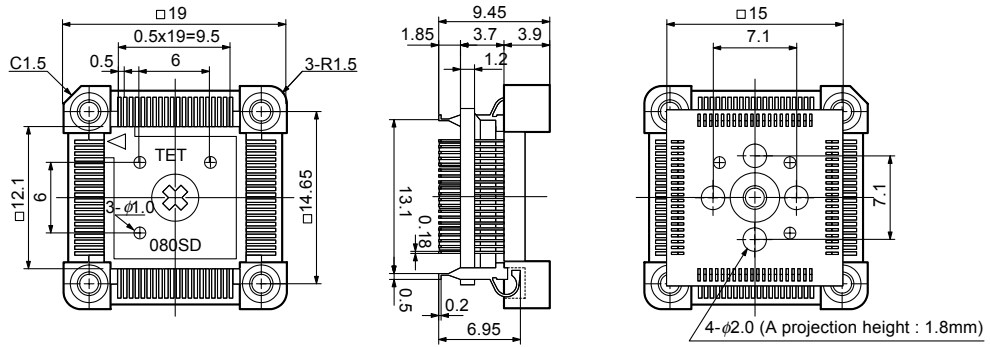


Figure B-5. Target Connector for and 78K0/FF1+ (QB-80GK-NQ-01T)

(a) Package drawing



(b) Foot pattern

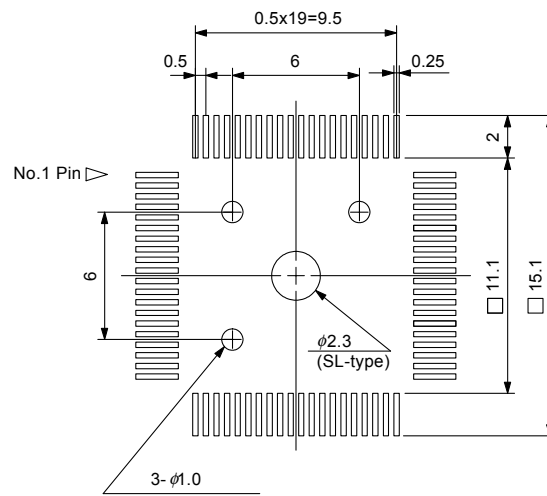
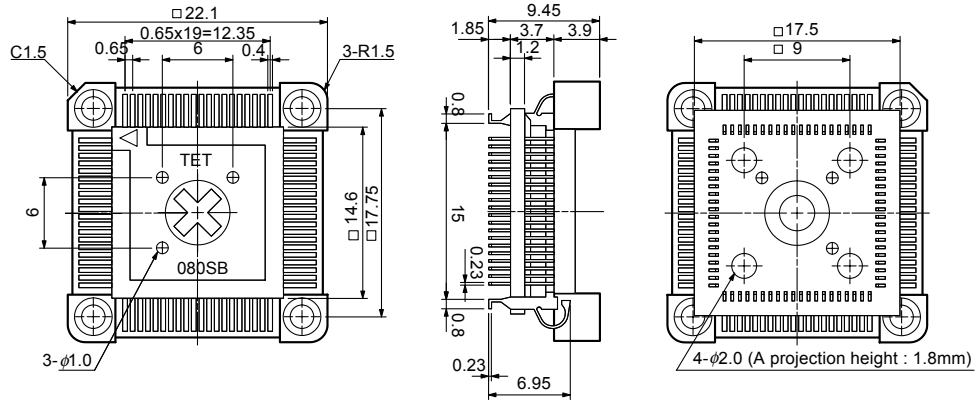
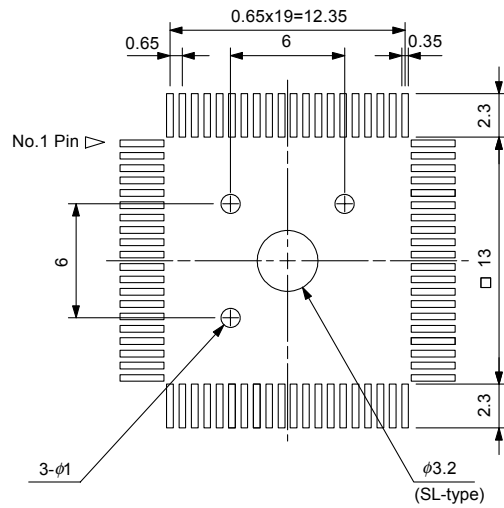


Figure B-6. Target Connector for 78K0/FF1+ (QB-80GC-NQ-01T)

(a) Package drawing



(b) Foot pattern



B.2 Exchange Adapters

Figure B-7. Exchange Adapter for 78K0/FC1+ (QB-44GB-EA-02T)

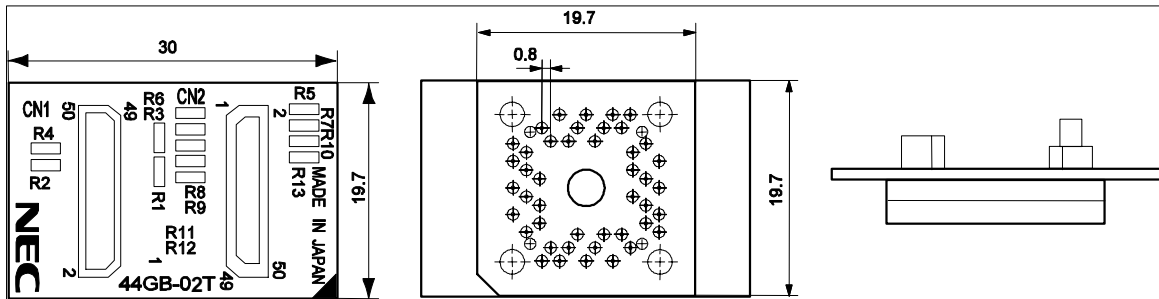


Figure B-8. Exchange Adapter for 78K0/FC1+ (QB-48GA-EA-01T)

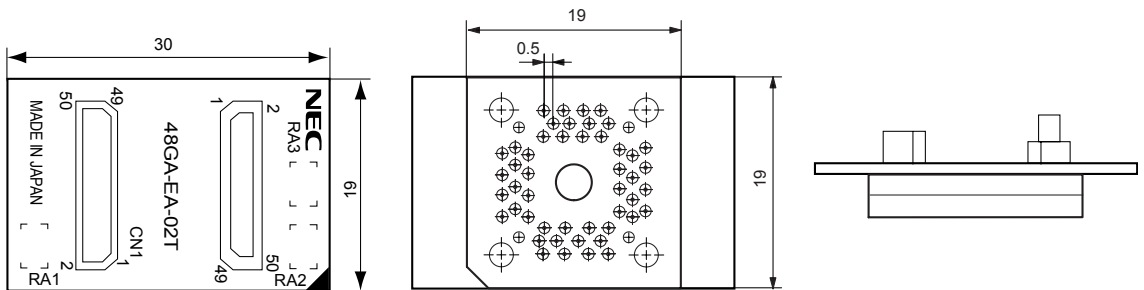


Figure B-9. Exchange Adapter for 78K0/FE1+ (QB-64GB-EA-03T)

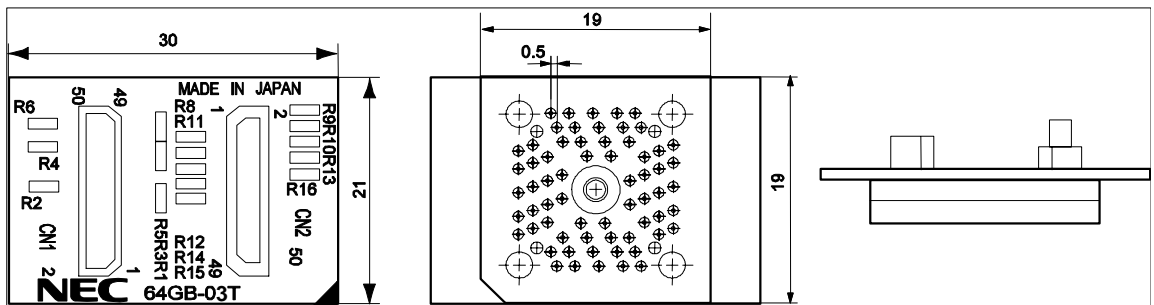


Figure B-10. Exchange Adapter for 78K0/FE1+ (QB-64GK-EA-03T)

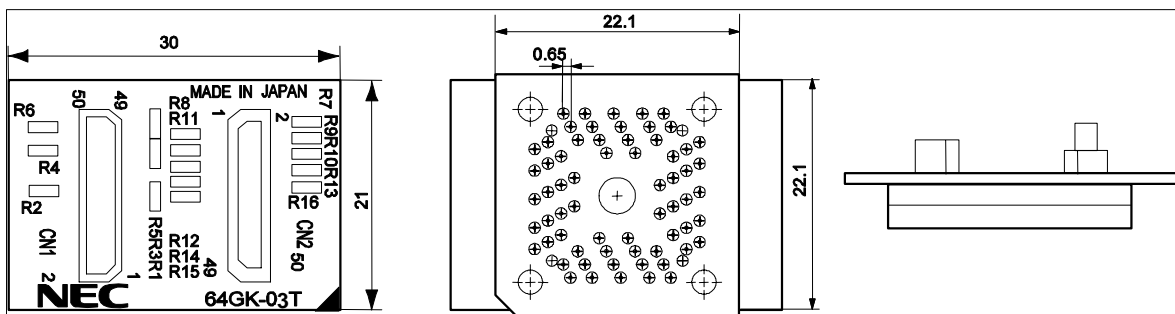


Figure B-11. Exchange Adapter for 78K0/FF1+ (QB-80GK-EA-01T)

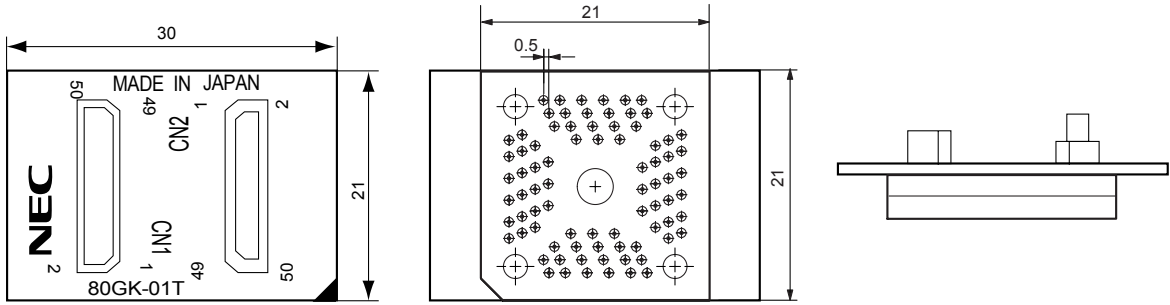
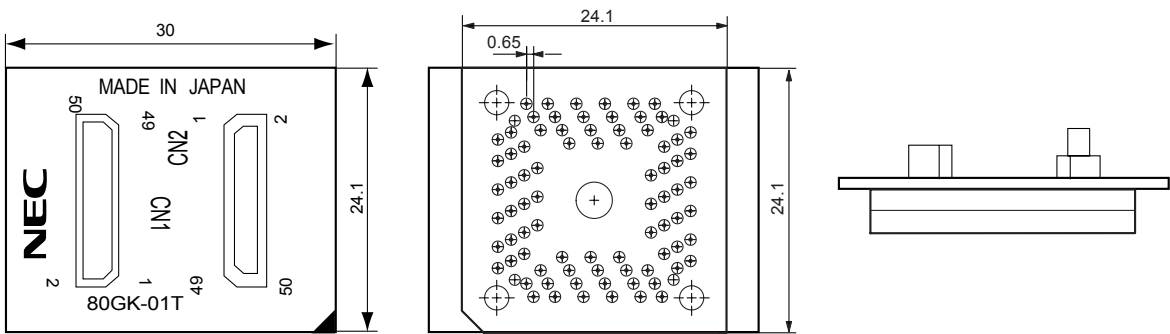


Figure B-12. Exchange Adapter for 78K0/FF1+ (QB-80GC-EA-01T)



B.3 YQ Connectors

Figure B-13. YQ Connector for 78K0/FC1+ (QB-44GB-YQ-01T)

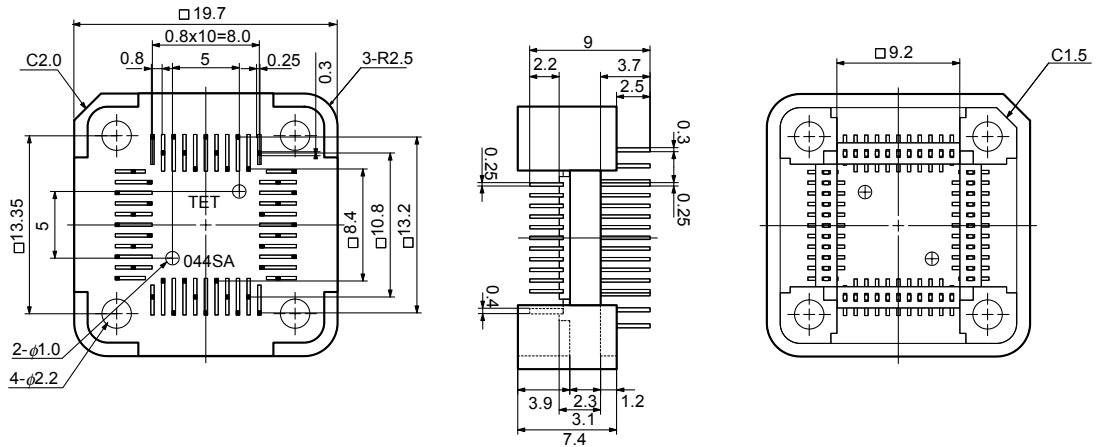


Figure B-14. YQ Connector for 78K0/FC1+ (QB-48GA-YQ-01T)

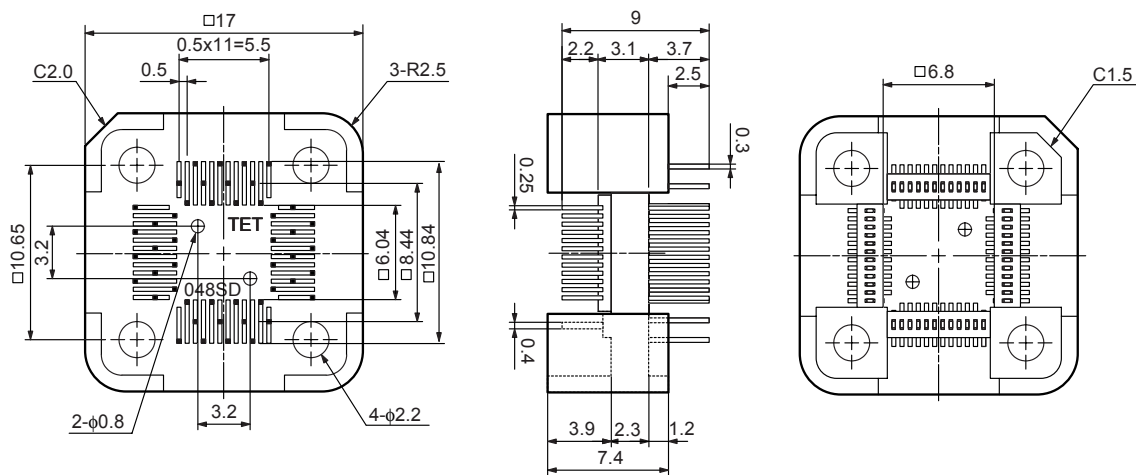


Figure B-15. YQ Connector for 78K0/FE1+ (QB-64GB-YQ-01T)

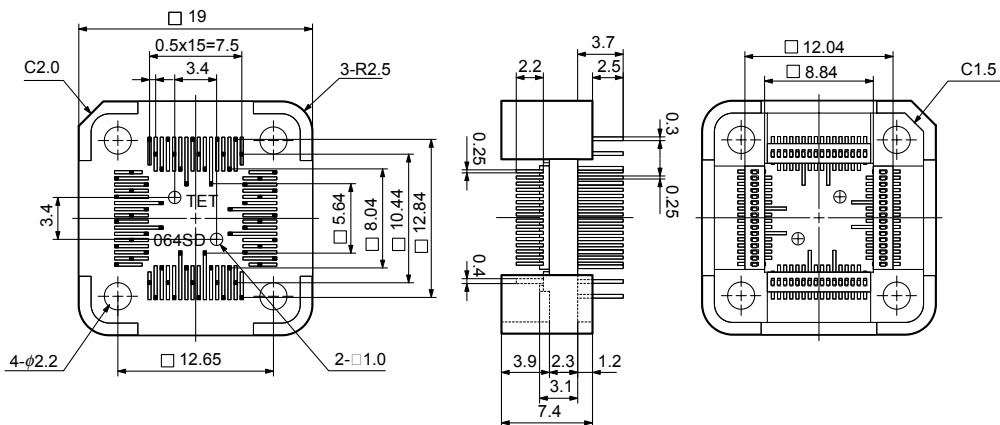


Figure B-16. YQ Connector for 78K0/FE1+ (QB-64GK-YQ-01T)

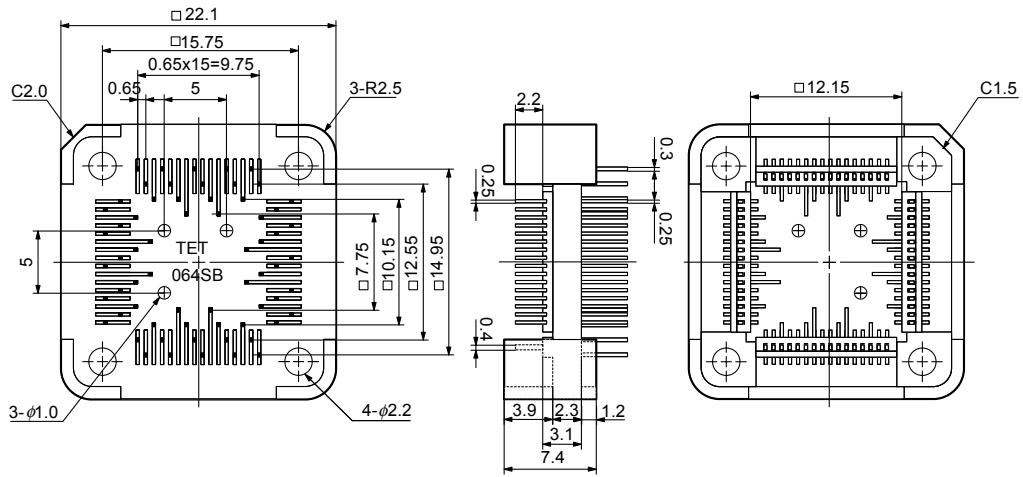


Figure B-17. YQ Connector for 78K0/FF1+ (QB-80GK-YQ-01T)

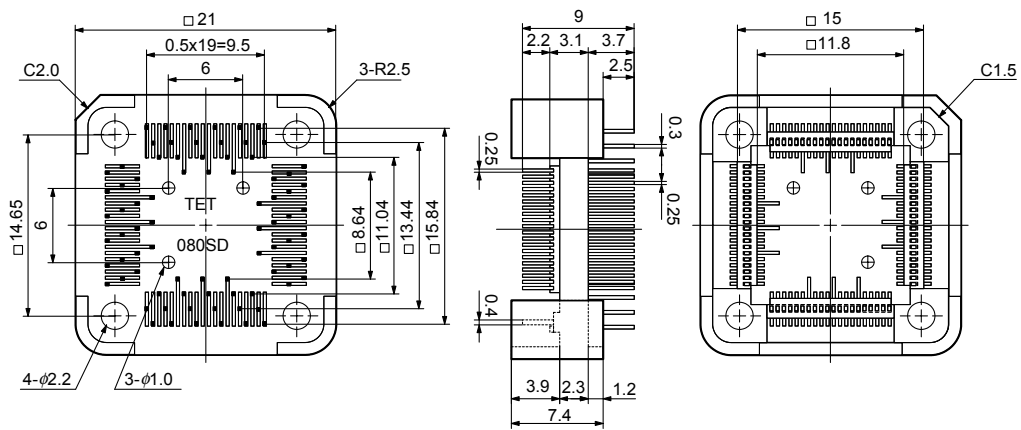
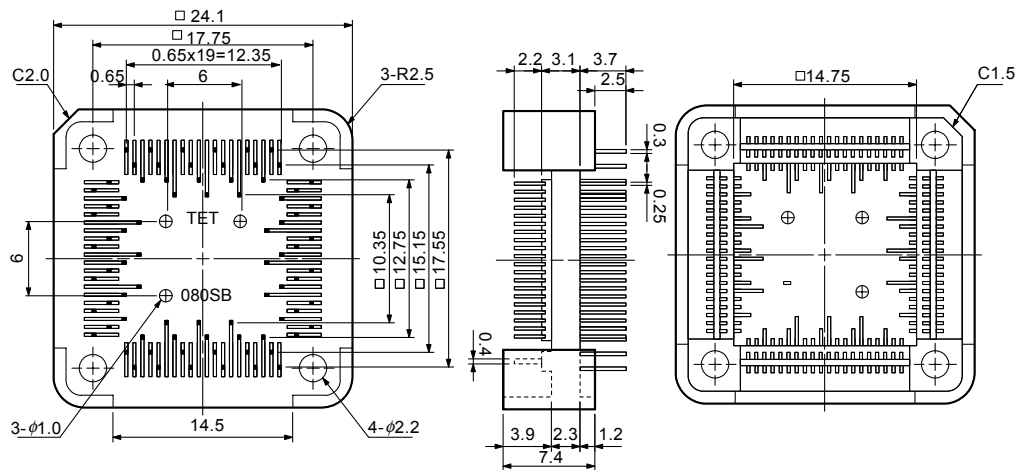


Figure B-18. YQ Connector for 78K0/FF1+ (QB-80GC-YQ-01T)



B.4 Mount Adapters

Figure B-19. Mount Adapter for 78K0/FC1+ (QB-44GB-HQ-01T)

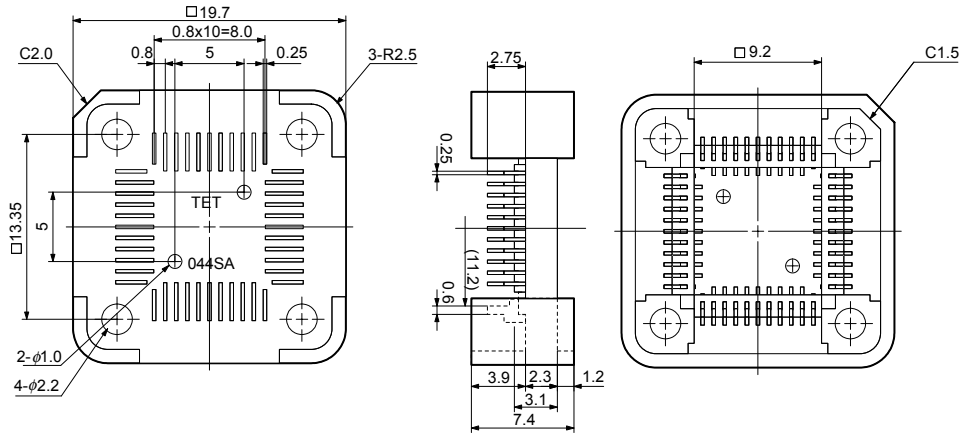


Figure B-20. Mount Adapter for 78K0/FC1+ (QB-48GA-HQ-01T)

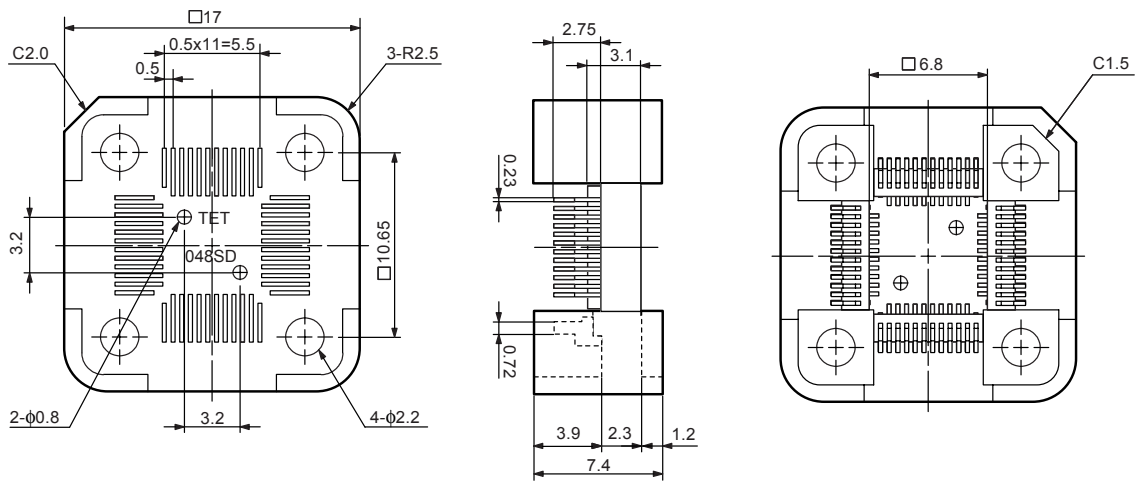


Figure B-21. Mount Adapter for 78K0/FE1+ (QB-64GB-HQ-01T)

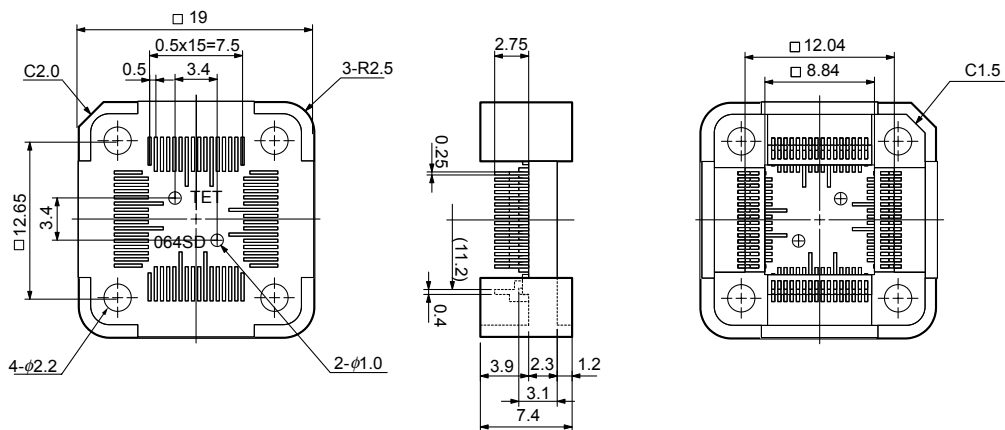


Figure B-22. Mount Adapter for 78K0/FE1+ (QB-64GK-HQ-01T)

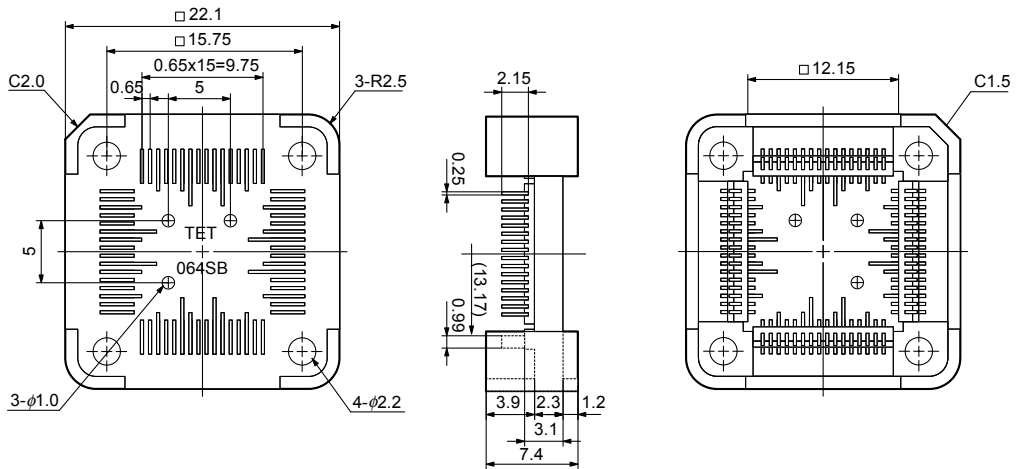


Figure B-23. Mount Adapter for 78K0/FF1+ (QB-80GK-HQ-01T)

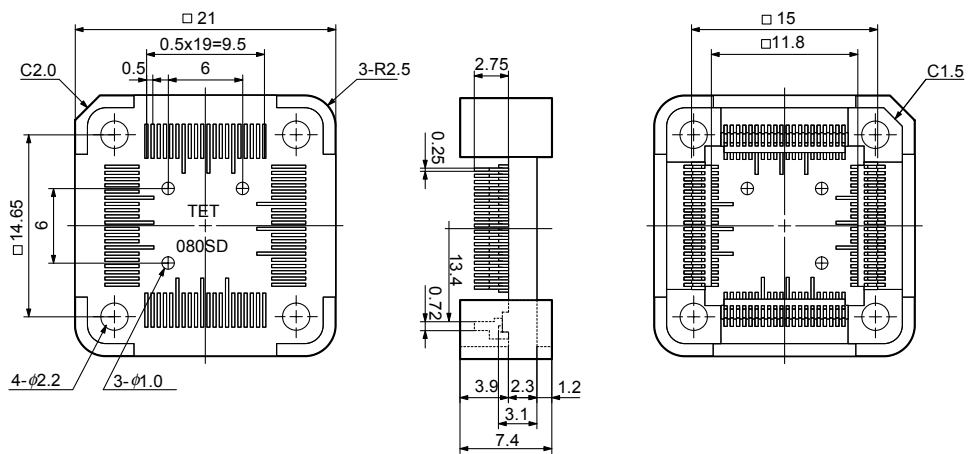
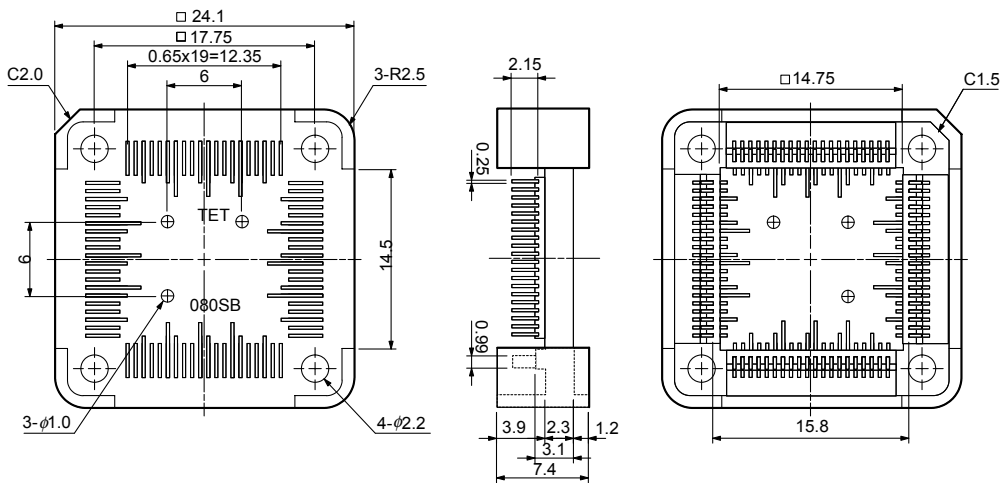
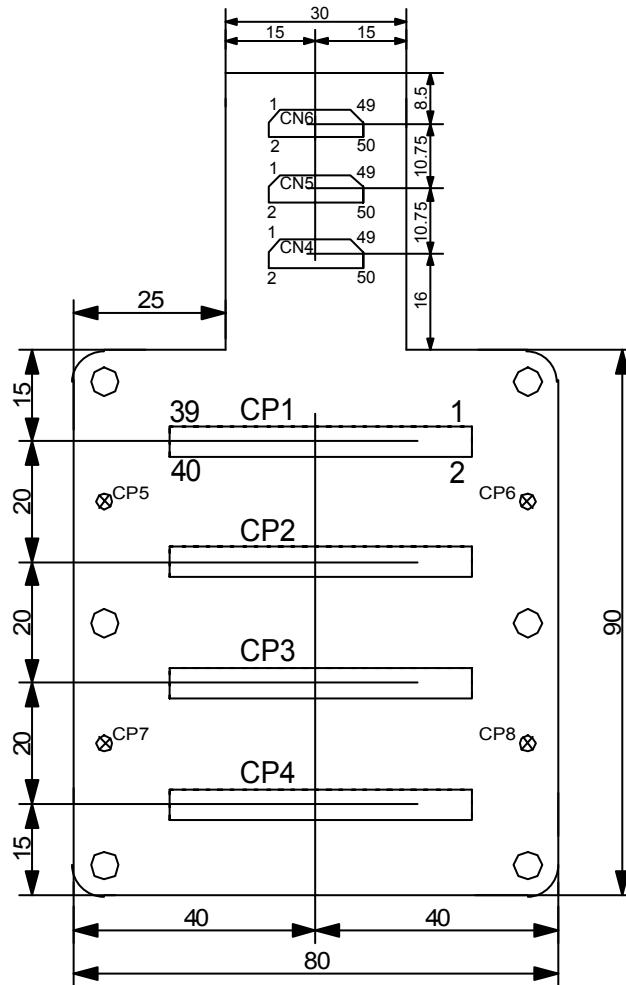


Figure B-24. Mount Adapter for 78K0/FF1+ (QB-80GC-HQ-01T)



B.5 Check Pin Adapter

Figure B-25. Check Pin Adapter (QB-144-CA-01)



B.6 Spacer Adapters

Figure B-26. Spacer Adapter for 78K0/FC1+ (QB-44GB-YS-01T)

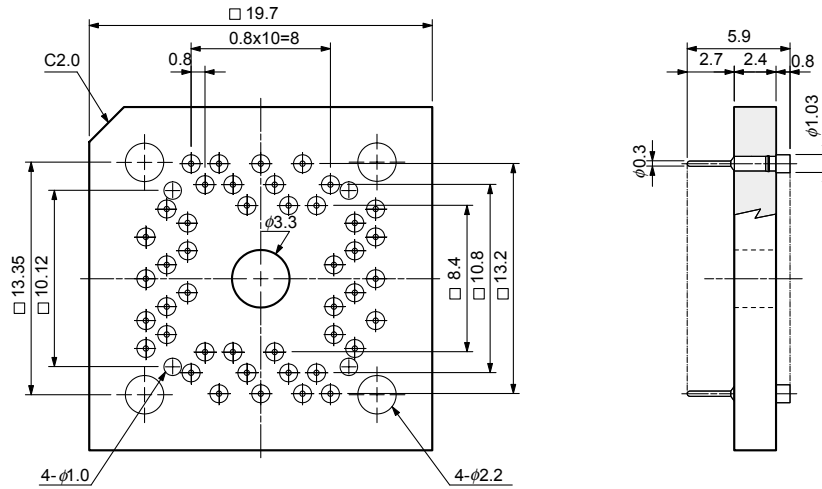


Figure B-27. Spacer Adapter for 78K0/FC1+ (QB-48GA-YS-01T)

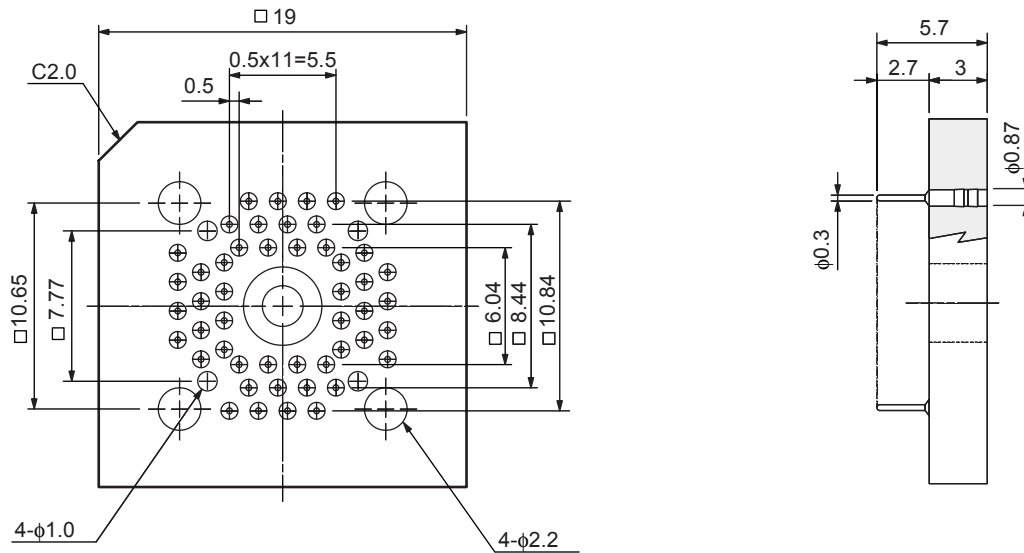


Figure B-28. Spacer Adapter for 78K0/FE1+ (QB-64GB-YS-01T)

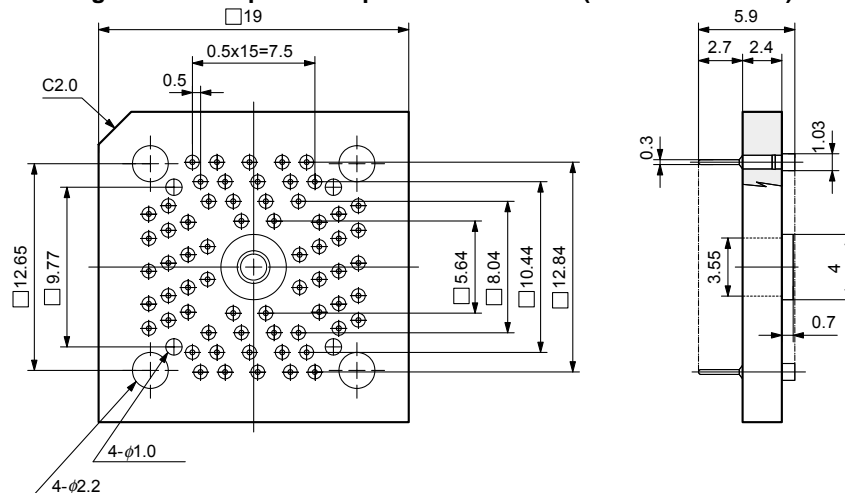


Figure B-29. Spacer Adapter for 78K0/FE1+ (QB-64GK-YS-01T)

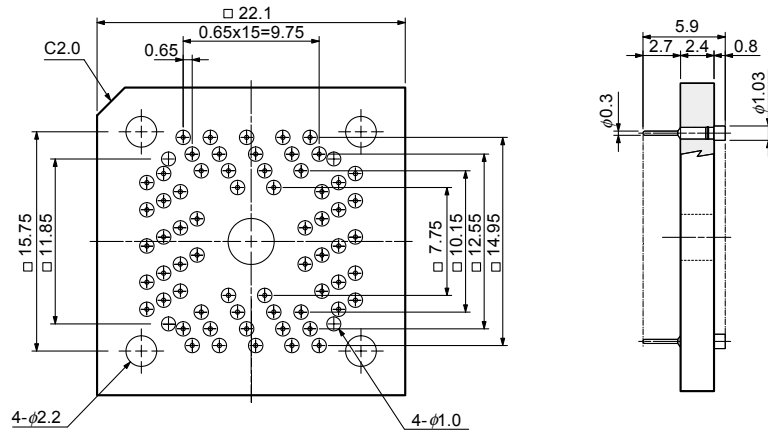


Figure B-30. Spacer Adapter for 78K0/FF1+ (QB-80GK-YS-01T)

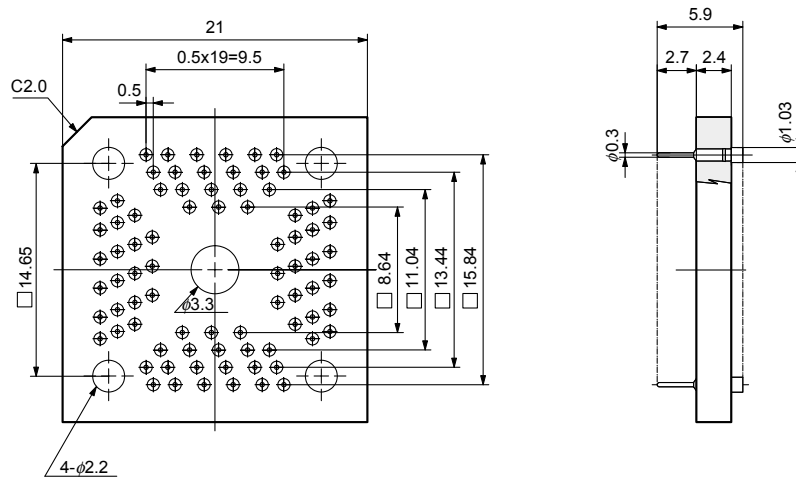
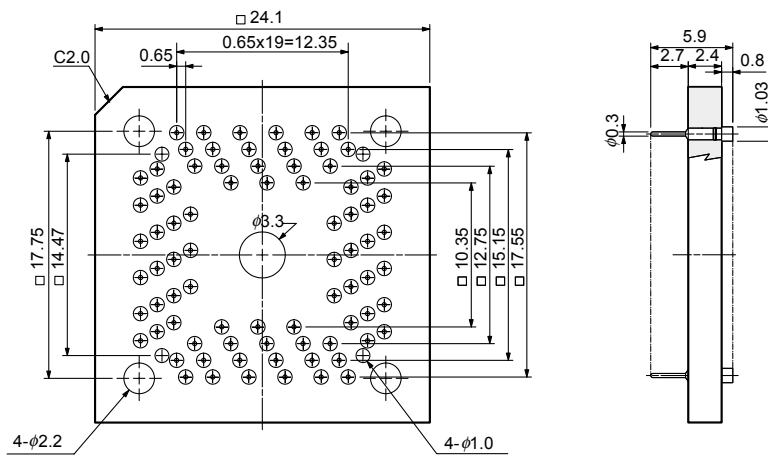


Figure B-31. Spacer Adapter for 78K0/FF1+ (QB-80GC-YS-01T)



B.7 Emulation Probe

Figure B-32. Emulation Probe (QB-80-EP-01T)

