

## QBiX-Pro-WHLA8265H-A1

Industrial system with Intel® Core™ i5-8265U Processor/ Fanless Design / Dual Channel DDR4 up to 32GB/ 2 x HDMI



### Features

- System Size : 178W x 125D x 52.7H (mm)
- Intel® Core™ i5-8265U Processor
- Dual Channel DDR4, 2 x SO-DIMMs
- 2 x HDMI for Dual display
- 2 x GbE LAN ports

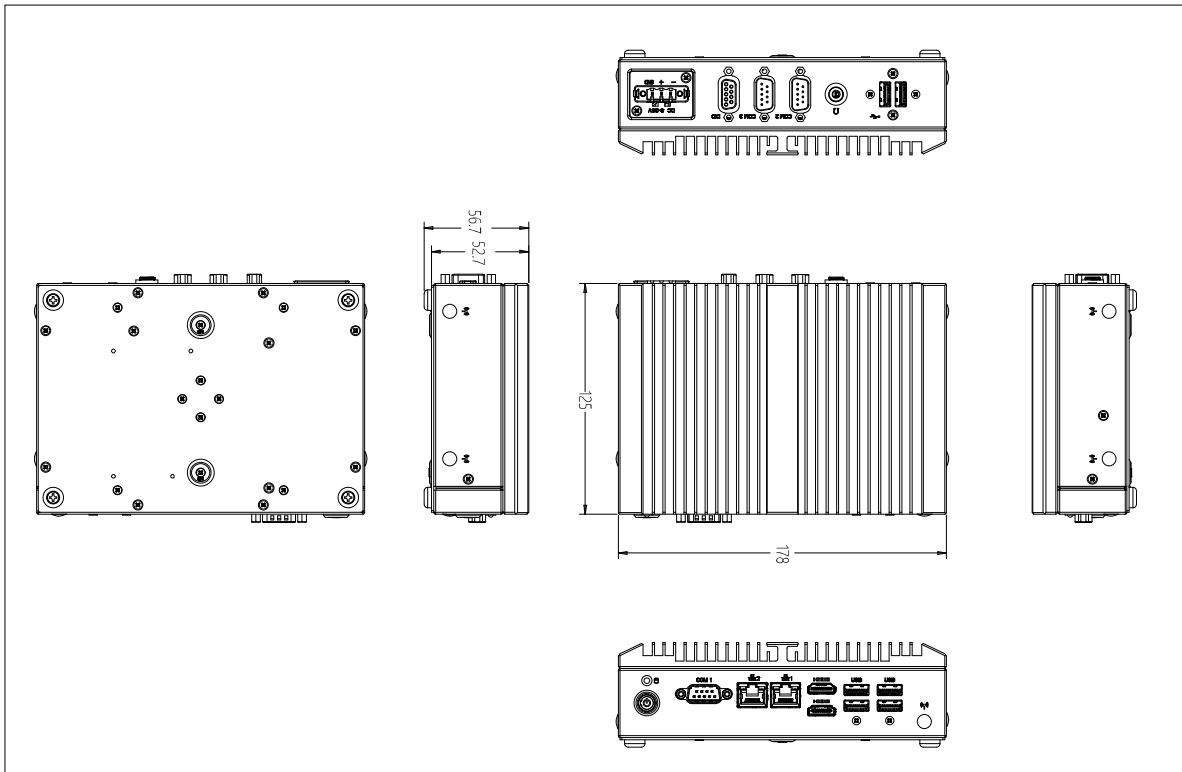
### Specifications

|                            |  |
|----------------------------|--|
| Dimension                  | System Size : 178W x 125D x 52.7H (mm)   |
| CPU                        | Intel® Core™ i5-8265U Processor<br>14nm, 4 cores, 8 threads, up to 3.9 GHz<br>TDP 15W  |
| Chipset                    | SoC  |
| Memory                     | 2 x DDR4 SO-DIMM sockets, Max. Capacity 32 GB<br>Support Dual Channel DDR4 2400 MHz memory modules   |
| Ethernet                   | 2 x GbE LAN ports (Intel® i219V and Intel® i211AT)   |
| Graphic support            | Integrated Graphics Processor - Intel® UHD Graphics 620:<br>2 x HDMI 1.4 ports, supporting a maximum resolution of 4096x2160 @30Hz<br><br>(2 independent display outputs)  |
| Audio                      | Realtek® Audio codec   |
| Storage                    | 1 x 2.5" HDD/SSD (SATA 6Gb/s)  |
| Expansion Slots            | 1 x 2280 M.2 M-Key (PCIe x4, SATA 6Gb/s)<br>1 x 2230 M.2 E-Key (WiFi/BT)<br>1 x Full-size Mini PCIe with SIM slot (PCIe x1 + USB2.0) -- support 3G/4G module   |
| Front I/O                  | 2 x RJ45 LAN ports<br>4 x USB 3.1 Gen2<br>2 x HDMI<br>1 x Power button with LED<br>1 x HDD LED<br>1 x COM port (RS-232/422/485 and RI/5V/12V)  |
| Rear I/O                   | 2 x USB 2.0<br>2 x COM ports (RS-232)<br>1 x GPIO (8 bits)<br>1 x Headphone Jack<br>1 x 3-pin Terminal Block   |
| Side I/O                   | 2 x External Antenna Hole (Optional)   |
| Power                      | +9~36VDC (Full Range)  |
| Operation temperature      | Operating temperature: 0°C to 50°C<br>Operating humidity: 0-90% (non-condensing)<br>Non-operating temperature: -20°C to 70°C<br>Non-operating humidity: 0%-95% (non-condensing)<br>Use wide temperature range memory and storage |
| Vibration During Operation | Operation: IEC 60068-2-64, 5 Grms, random, 5 ~ 500 Hz, 1 hr / Per Axis, With SSD/M.2 2280<br>Non-operation: IEC 60068-2-6, 2 G, Sine, 10 ~ 500 Hz, 1 Oct/min, 1 hr / Per Axis  |
| Shock During Operation     | Operation: IEC 60068-2-27, 50 G, half sine, 11 ms duration, With SSD   |

GIGAIPC reserves the right to modify or change technical data without prior notice.

## Dimension

Unit: mm



## Packing Content

- Box Packing Capacity: 5pcs
- Carton size: 505 x 333 x 231(mm)
- Content:
  - SCREW I HEAD FOR 25HDD M3x8L x 4 (P/N: 25KSG-130081-K1R)
  - THERMAL PAD x 2 (P/N: 25ST3-200052-T5R)
  - THERMAL PAD x 1 (P/N: 25ST3-200051-T5R)
  - CABLE SATA x 1 (P/N: 25CF4-070020-S9R)
  - TERMINAL BLOCKS MALE PLUG x 1 (P/N: 25I00-5ESDVO-D2R)

## Order Information

- System: 6BQP8265AMR-SI

## OPTIONAL KIT

- TPM 2.0 module P/N: 9CTM000NR-00
- TPM Cable P/N: 25CRZ-100600-S9R

2021/08/17

GIGAIPC reserves the right to modify or change technical data without prior notice.