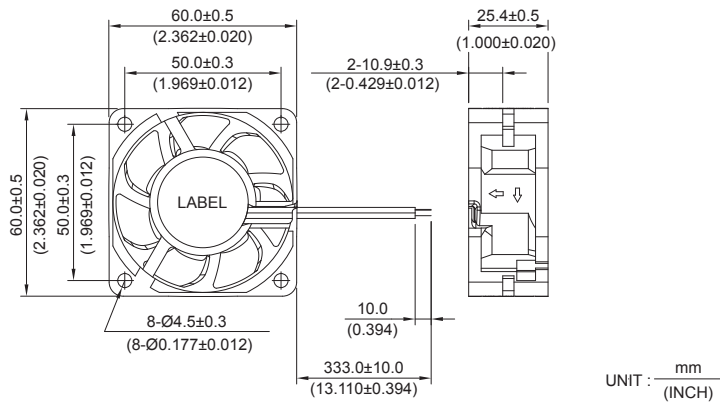


New



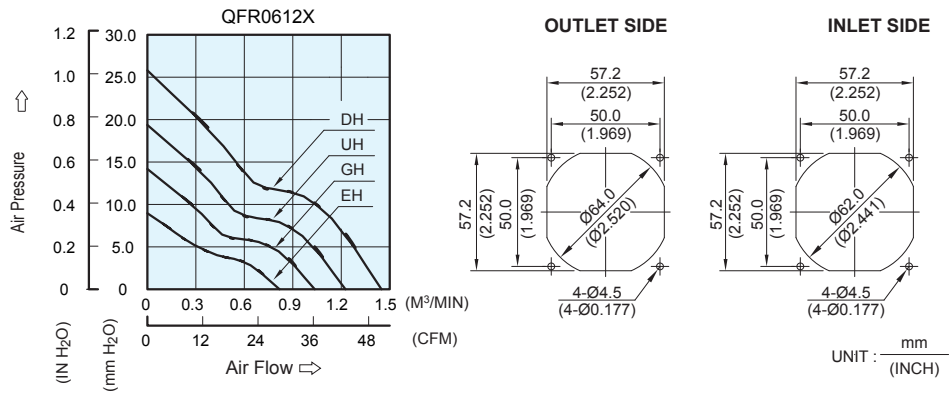
QFR 60 x 60 x 25.4 MM SERIES

■ DIMENSIONS DRAWING



- * Bearing Type
Ball Bearings
- * Material
Impeller & Frame : Plastic(UL 94V-0)
- * Lead Wires :
UL 1061 AWG #24 OR Equivalent
Red Wire Positive(+)
Black Wire Negative(-)
- * Weight : 90g (3.17 OZ)

■ P & Q CURVE (AT RATED VOLTAGE) ■ MOUNTING PANEL CUTOUT



MODEL		Rated Voltage	Operating Voltage Range	Input Current	Input Power	Speed	Maximum Air Flow		Maximum Air Pressure		Noise
PART NO.	FUNCTION	VDC	VDC	Amp	Watt	R.P.M.	m ³ / min	CFM	mmH ₂ O	IN H ₂ O	dB-A
QFR0612EH-B	-R00 / -F00	12	7.0 to 13.2	0.20	2.40	6000	0.818	28.89	8.961	0.353	39.0
QFR0612UH-B	-R00 / -F00	12	7.0 to 13.2	0.30	3.84	7600	1.036	36.59	14.18	0.558	44.7
QFR0612GH-B	-R00 / -F00	12	7.0 to 13.2	0.47	5.64	9000	1.226	43.30	19.37	0.763	49.7
QFR0612DH-B	-R00 / -F00	12	7.0 to 13.2	0.75	9.00	10600	1.449	51.17	25.80	1.016	54.5

- * Function type is optional.
- * The max. air flow and the speed are measured in free air ; max. air pressure is measured at zero air flow.
- * Noise is measured in anechoic chamber in free air, one meter from intake side.
- * All readings are typical values at rated voltage.
- * Specifications are subject to change without notice.