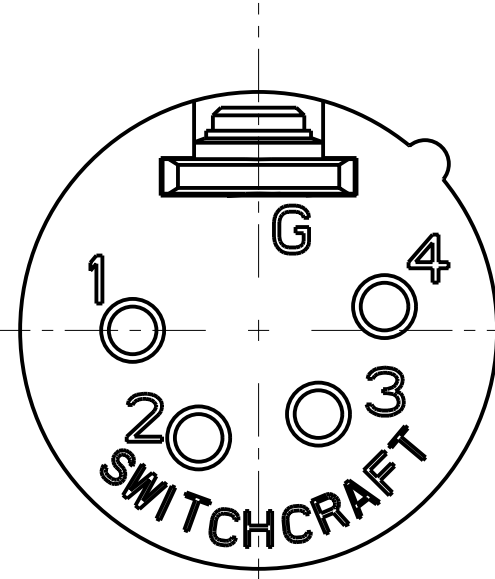
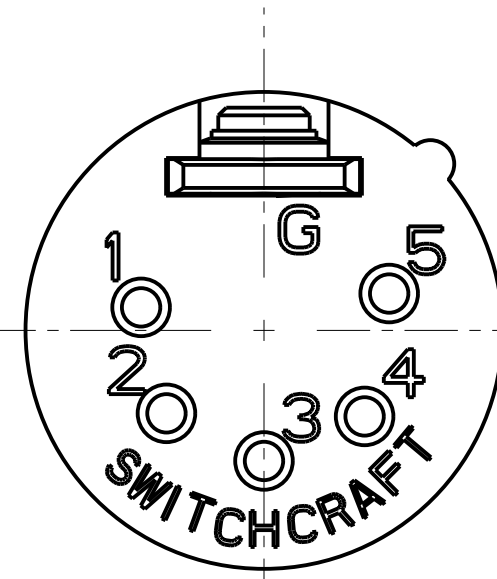


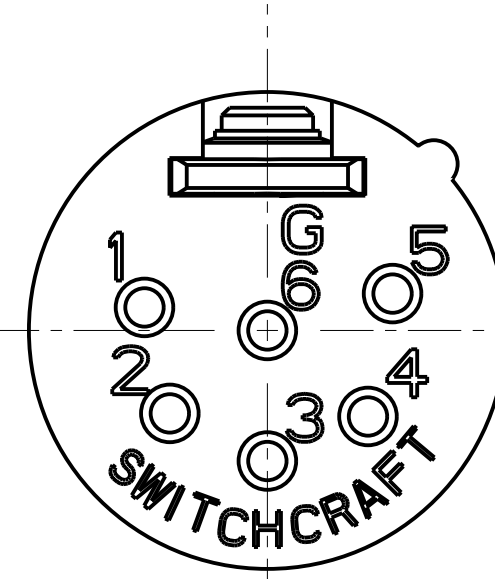
3 PIN



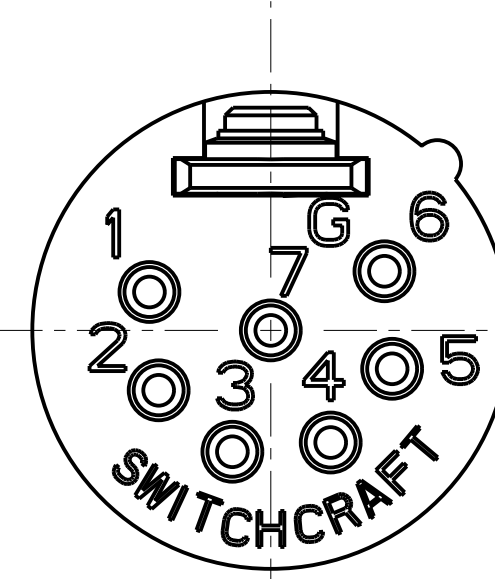
4 PIN



5 PIN



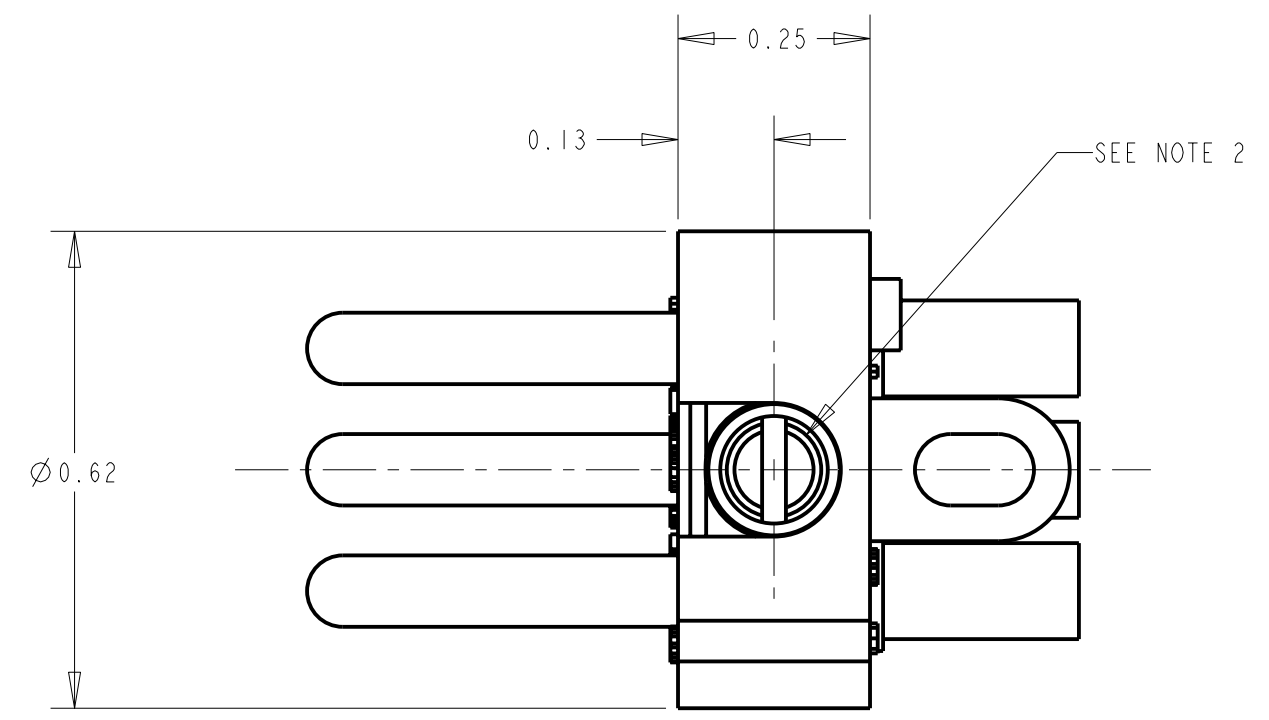
6 PIN



7 PIN

- NOTES:**
1. ALL DIMENSIONS REF. UNLESS OTHERWISE SPECIFIED.
  2. INSERT LOCKING HOLE MUST ACCEPT  $\varnothing 0.123$  POST.
  3. KEYWAY ON 4, 5, 6, AND 7 PIN VERSIONS ONLY EXTENDS UP TO 0.125 FROM REAR SURFACE.

PRODUCT NO.	DIM "A"	DIM "B"
QG3M	1.01	0.27
QG4M	0.91	0.24
QG5M	0.92	0.24
QG6M	0.92	0.24
QG7M	0.82	0.24



**STANDARD SERIES**

SCREW - STAINLESS STEEL  
 SOLDER TERMINAL - BRASS, ELECTRO TIN PLATED  
 INSULATOR - POLYESTER, GREEN (UL94V-0)  
 CONTACT PIN - BRASS, SILVER PLATED

QG M

CONTACT PLATING  
 BLANK = SILVER (STANDARD)  
 AU = GOLD OVER NICKEL

HOUSING FINISH  
 BLANK = NICKEL PLATE (STANDARD)  
 B = BLACK

NO. OF CONTACTS:  
 3 = 3 CONTACTS  
 4 = 4 CONTACTS  
 5 = 5 CONTACTS  
 6 = 6 CONTACTS  
 7 = 7 CONTACTS

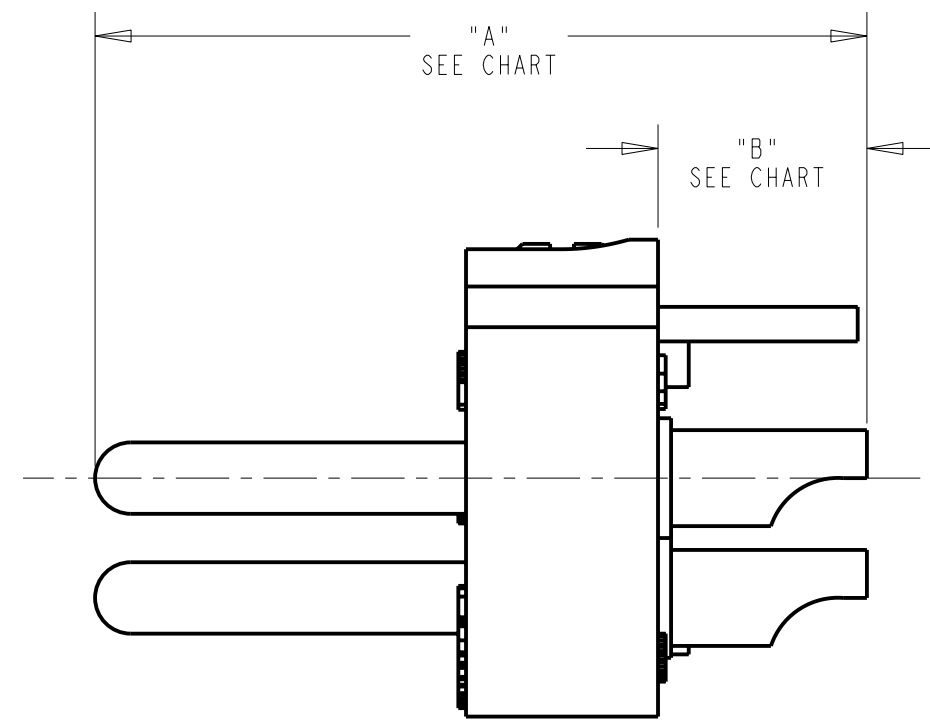
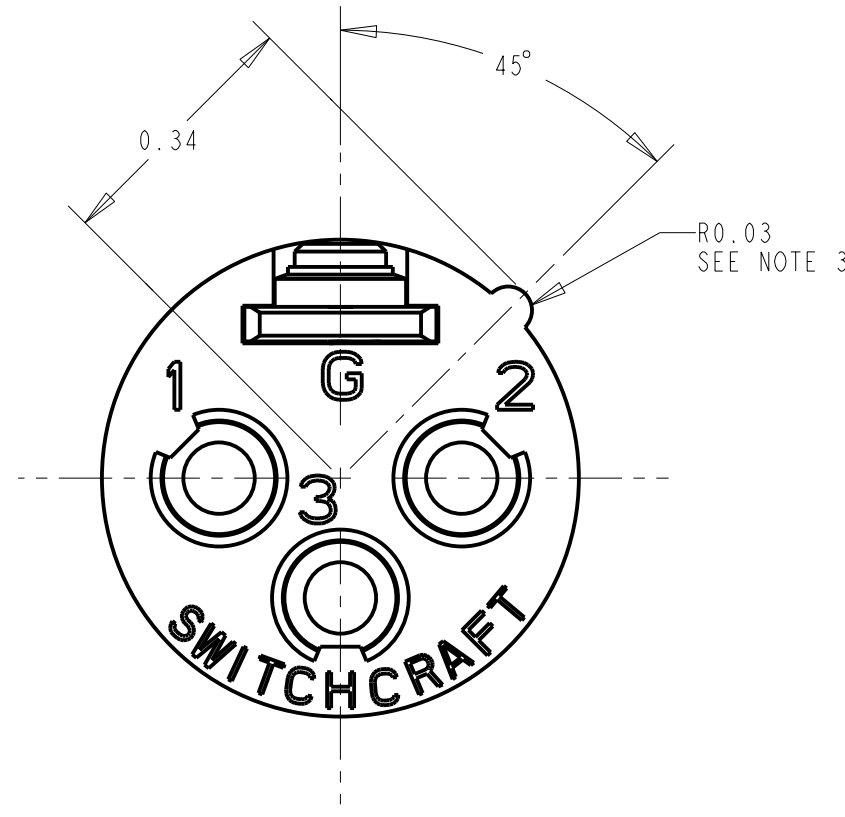
---

**PROFESSIONAL SERIES**

SAME AS ABOVE EXCEPT  
 CONTACT PIN - PHOSPHOR BRONZE, GOLD OVER NICKEL

QGP M

NO. OF CONTACTS:  
 3 = 3 CONTACTS  
 4 = 4 CONTACTS  
 5 = 5 CONTACTS  
 6 = 6 CONTACTS  
 7 = 7 CONTACTS



CUSTOMER DRAWING

					★ STAR SYMBOL DENOTES CRITICAL DIMENSION		THIS DRAWING DESCRIBES A DESIGN CONSIDERED PROPRIETARY IN NATURE, DEVELOPED AND MANUFACTURED BY SWITCHCRAFT INC. AND IS RELEASED ON A CONFIDENTIAL BASIS FOR IDENTIFICATION PURPOSES ONLY.				
					UNLESS OTHERWISE SPECIFIED		SIZE	WIDTH	MULT	LBS/M	TEMPER
					1. ALL DIMENSIONS IN INCHES - TWO PLACE DECIMALS $\pm 0.01$ - THREE PLACE DECIMALS $\pm 0.005$ - ANGLES $\pm 1^\circ$ - ALL DIA. CONCENTRIC WITHIN 0.005 T.I.R.		FINISH		MATERIAL SPEC No.		
M	23067	1-5-00	JL	DG	2. FEATURES ON THE SAME CENTERLINE MUST BE ALIGNED WITHIN $\pm 0.002$		FIRST USED ON		SCALE 4:1		
L	22838	10-1-99	JL	DG	3. REMOVE ALL BURRS		DATE DRAWN	BY	CHKD	APVD	
K	22563	12-10-98	JL	EB	DO NOT SCALE DRAWING		8-22-94	SG	SG	GHJ	
J	22610	11-23-98	DA	EB	MALE QG INSERT SERIES		NAME		PART No. QG_M SERIES		
REVISIONS							NAME		REV M		