

# QPF4617

## Wi-Fi 6E Non-Linear Front End Module

### Product Overview

The Qorvo® QPF4617 is a non-linear integrated front end module (FEM) designed for Wi-Fi 6E (802.11ax) systems. It is designed to operate in conjunction with DPD correction. The small form factor and integrated matching minimizes layout area in the application.

Performance is focused on optimizing the PA efficiency for a 5V supply voltage that minimizes power consumption to allow for systems that use digital pre-distortion to achieve the highest linear output power and leading edge throughput for the RF chain.

A coupler with RF output as well as a broadrange, constant slope voltage logarithmic power detector is provided for application feedback

The QPF4617 integrates a 6 GHz power amplifier (PA), single pole two throw switch (SP2T) and bypassable low noise amplifier (LNA) into a single device.

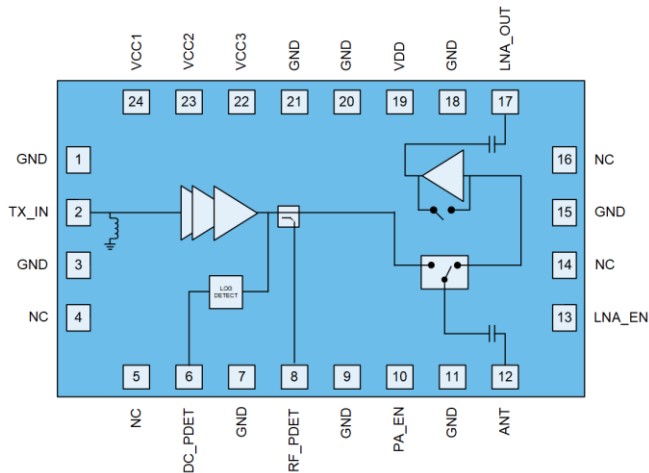


24 Pad 5 x 3 mm Laminate Package

### Key Features

- 5935 – 7125 MHz
- P<sub>SAT</sub> = +32 dBm
- P<sub>OUT</sub> = +24 dBm HE20 -30dB Dynamic EVM
- P<sub>OUT</sub> = +20 dBm HE80 -38dB Dynamic EVM
- P<sub>OUT</sub> = +15 dBm HE80 -41dB Dynamic EVM
- P<sub>OUT</sub> = +5 dBm HE80 -47dB Dynamic EVM
- Optimized for +5 V Operation
- 31 dB Tx Gain
- 1.9 dB Noise Figure
- 14.5 dB Rx Gain & 7.5 dB Bypass Loss
- Integrated RF & DC Power Detector

### Functional Block Diagram



Top View

### Applications

- Access Points
- Wireless Routers
- Residential Gateways
- Customer Premise Equipment
- Internet of Things

### Ordering Information

Part Number	Description
QPF4617SB	Sample bag with 5 pieces
QPF4617SR	7" reel with 100 pieces
QPF4617TR13	13" reel with 5,000 pieces
QPF4617EVB	Assembled Evaluation Board

### Absolute Maximum Ratings



# QPF4617

## Wi-Fi 6E Non-Linear Front End Module

### Handling Precautions

Parameter	Rating	Standard
ESD – Human Body Model (HBM)	Class 1C (1000V)	ANSI/ESD/JEDEC JS-001
ESD – Charged Device Model (CDM)	Class C3 (1000V)	ANSI/ESD/JEDEC JS-002
MSL – Moisture Sensitivity Level	MSL 3	IPC/JEDEC J-STD-020



Caution!

ESD sensitive device

### Solderability

Compatible with both lead-free (260 °C max. reflow temperature) and tin/lead (245 °C max. reflow temperature) soldering processes.

Package lead plating: Electroless Ni/Electroless Pd/Immersion Au (ENEPIG)

### RoHS Compliance

This part is compliant with the 2011/65/EU RoHS directive (Restrictions on the Use of Certain Hazardous Substances in Electrical and Electronic Equipment), as amended by Directive 2015/863/EU.

This product also has the following attributes:

- Lead Free
- PFOS Free
- Halogen Free (Chlorine, Bromine)
- Antimony Free
- TBBP-A (C<sub>15</sub>H<sub>12</sub>Br<sub>4</sub>O<sub>2</sub>) Free
- SVHC Free

### Important Notice

The information contained in this Data Sheet and any associated documents ("Data Sheet Information") is believed to be reliable; however, Qorvo makes no warranties regarding the Data Sheet Information and assumes no responsibility or liability whatsoever for the use of said information. All Data Sheet Information is subject to change without notice. Customers should obtain and verify the latest relevant Data Sheet Information before placing orders for Qorvo® products. Data Sheet Information or the use thereof does not grant, explicitly, implicitly or otherwise any rights or licenses to any third party with respect to patents or any other intellectual property whether with regard to such Data Sheet Information itself or anything described by such information.

DATA SHEET INFORMATION DOES NOT CONSTITUTE A WARRANTY WITH RESPECT TO THE PRODUCTS DESCRIBED HEREIN, AND QORVO HEREBY DISCLAIMS ANY AND ALL WARRANTIES WITH RESPECT TO SUCH PRODUCTS WHETHER EXPRESS OR IMPLIED BY LAW, COURSE OF DEALING, COURSE OF PERFORMANCE, USAGE OF TRADE OR OTHERWISE, INCLUDING THE IMPLIED WARRANTIES OF MERCHANTABILITY AND FITNESS FOR A PARTICULAR PURPOSE. Without limiting the generality of the foregoing, Qorvo® products are not warranted or authorized for use as critical components in medical, life-saving, or life-sustaining applications, or other applications where a failure would reasonably be expected to cause severe personal injury or death. Applications described in the Data Sheet Information are for illustrative purposes only. Customers are responsible for validating that a particular product described in the Data Sheet Information is suitable for use in a particular application.

© 2022 Qorvo US, Inc. All rights reserved. This document is subject to copyright laws in various jurisdictions worldwide and may not be reproduced or distributed, in whole or in part, without the express written consent of Qorvo US, Inc. | QORVO® is a registered trademark of Qorvo US, Inc.