

General Description

The QPL9095 is a high-linearity, ultra-low noise gain block amplifier with a bypass mode functionality integrated in the product. At 900MHz, the amplifier typically provides 22 dB gain, +33 dBm OIP3, and 0.6 dB noise figure while drawing 50 mA current from a +4.2 V supply.

The QPL9095 is internally matched using a high performance E-pHEMT process and only requires four external components for operation from a single positive supply: an external RF choke and blocking/bypass capacitors. This low noise amplifier contains an internal active bias to maintain high performance over temperature.

The QPL9095 is optimized for the 500MHz–2000MHz frequency band and is targeted for wireless infrastructure. The QPL9095 is packaged in a 2 x 2 mm DFN.

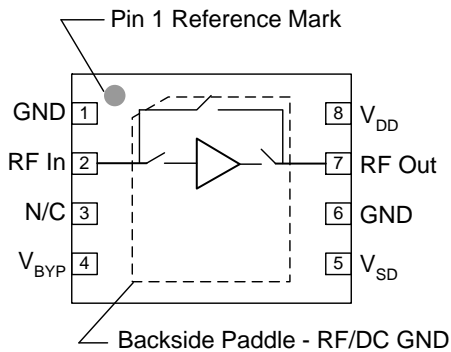


8 Pin 2X2 mm DFN Package

Product Features

- 500MHz – 2000MHz Operational bandwidth
- LNA with integrated bypass mode
- Ability to turn LNA and bypass mode OFF
- Ultra low noise, 0.6 dB at 900MHz
- 22 dB Gain at 900MHz
- +33 dBm Output IP3 in LNA Mode
- +35 dBm Output IP3 in Bypass Mode
- Internally matched
- Positive supply only, +3.3 to +5 V
- 2x2 mm 8-pin DFN plastic package

Functional Block Diagram



Top View

Applications

- Base-station Receivers
- Repeaters / DAS
- Tower Mounted Amplifiers
- Mobile Infrastructure
- General Purpose Wireless
- TDD or FDD systems

Ordering Information

Part No.	Description
QPL9095TR7	2500 pcs on 7" reel
QPL9095EVB01	Evaluation Board

Absolute Maximum Ratings

Parameter	Rating
Storage Temperature	-65 to 150°C
Supply Voltage (V _{DD})	+7 V
RF Input Power, CW, 50Ω, T=25°C	+30 dBm

Operation of this device outside the parameter ranges given above may cause permanent damage.

Recommended Operating Conditions

Parameter	Min	Typ	Max	Units
Supply Voltage (V _{DD})	3.0	4.2	5.25	V
T _{CASE}	-40		+105	°C
T _j at T _{CASE} = 125°C			+142	°C

Electrical specifications are measured at specified test conditions. Specifications are not guaranteed over all recommended operating conditions.

Electrical Specifications

Test conditions unless otherwise noted: V_{DD} = +4.2 V, Temp.=+25°C.

Parameter	Conditions	Min	Typ	Max	Units
Operational Frequency Range		500		2000	MHz
Test Frequency			900		MHz
Gain	LNA ON, Bypass OFF	20.5	22	23.5	dB
Input Return Loss	LNA ON, Bypass OFF		8.5		dB
Output Return Loss	LNA ON, Bypass OFF		11		dB
Noise Figure ⁽²⁾	LNA ON, Bypass OFF		0.6	0.9	dB
Output P1dB ⁽¹⁾	LNA ON, Bypass OFF	+18.5	+20		dBm
Output IP3	LNA ON, Bypass OFF, P _{out} =+2 dBm/tone, Δf=1 MHz	+30	+33		dBm
Insertion Loss	LNA OFF, Bypass ON		1.2	2.5	dB
Return Loss	LNA OFF, Bypass ON		12		dB
Isolation ⁽¹⁾	LNA OFF, Bypass OFF	15	18		dB
Output IP3	LNA OFF, Bypass ON Pin=+2 dBm/tone, Δf=1 MHz	+30	+35		dBm
Control Voltage, V ₁ , V ₂	V _{IH}	1.17		V _{DD}	V
	V _{IL}	0		0.63	V
Current, I _D	Bypass OFF	40	53	75	mA
	Bypass ON		5		mA
Switching Speed	LNA-Bypass (50% V _{ctrl} to 10% RF)		40		ns
	Bypass-LNA(50% V _{ctrl} to 90% RF)		185		ns
	LNA-OFF(50% V _{ctrl} to 10% RF)		40		ns
	OFF-LNA(50% V _{ctrl} to 90% RF)		65		ns
Thermal Resistance, θ _{jc}	Channel to case		44		°C/W

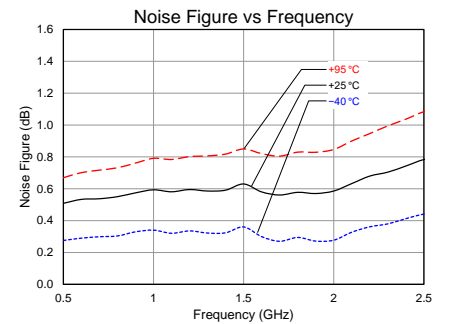
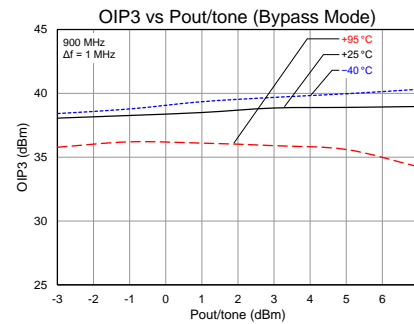
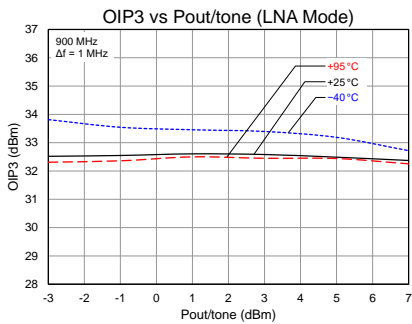
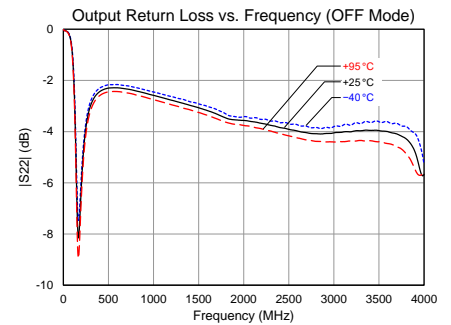
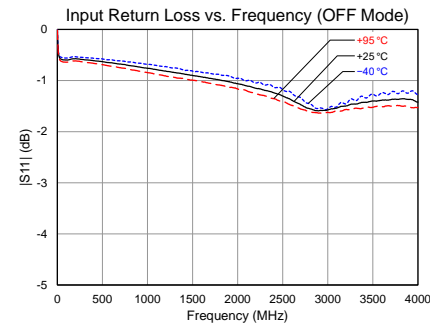
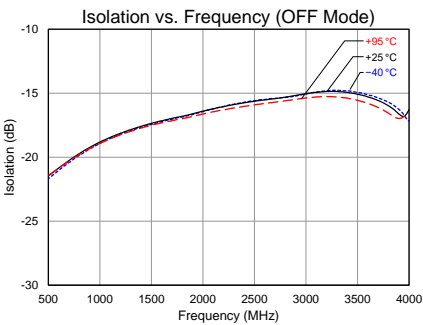
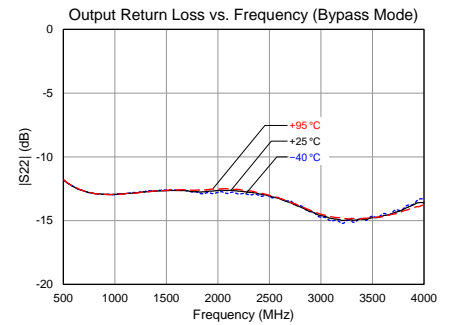
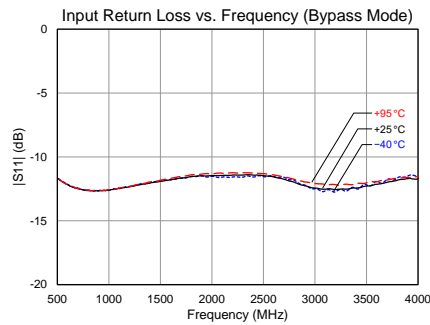
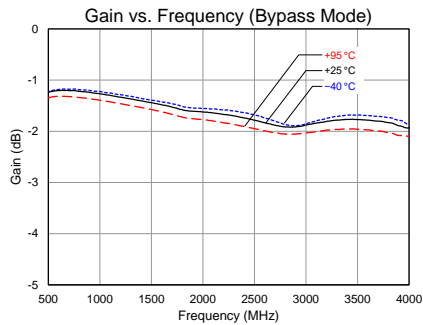
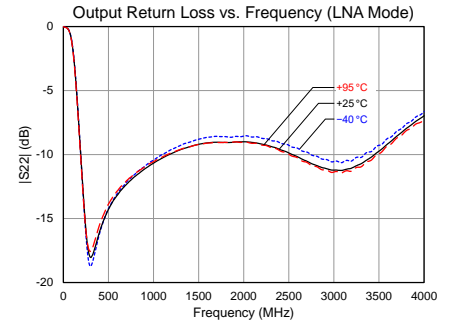
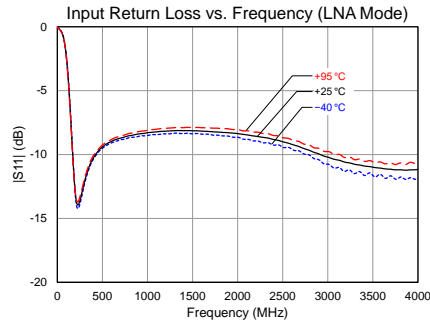
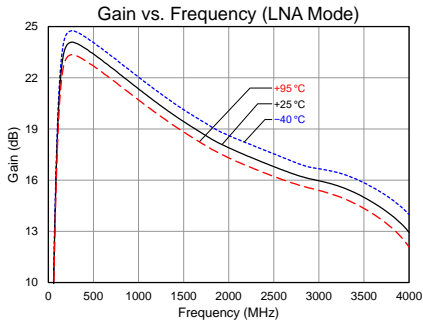
1. Minimum specification listed is guaranteed by design. Not tested in production.
2. Input trace loss de-embedded from Noise Figure data.

Control Truth Table

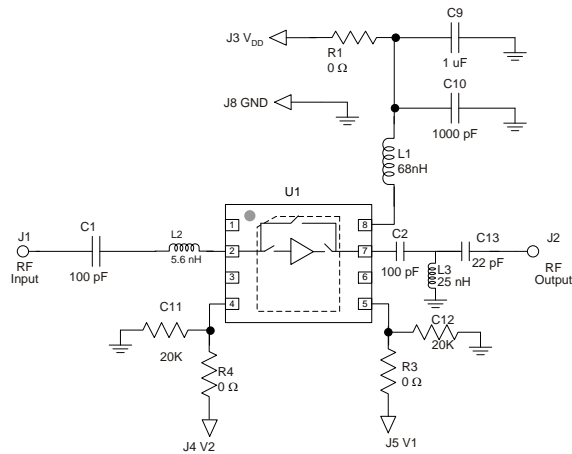
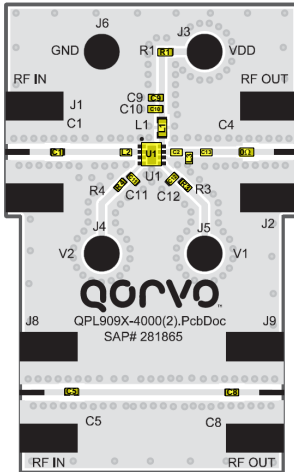
V _{BYP}	V _{SD}	State
0	0	LNA ON, Bypass OFF
0	1	LNA OFF, Bypass OFF
1	x	LNA OFF, Bypass ON

Performance Plots

Test conditions unless otherwise noted: $V_{DD} = +4.2\text{ V}$, $Temp. = +25\text{ }^{\circ}\text{C}$

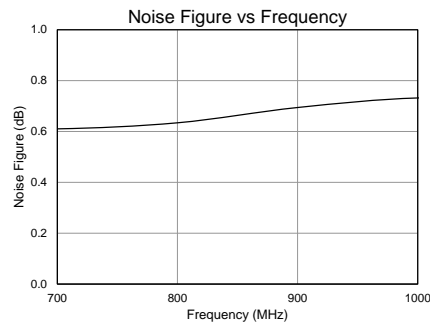
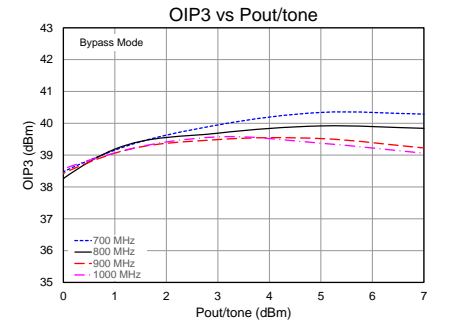
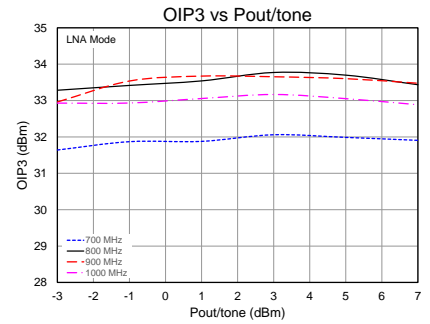
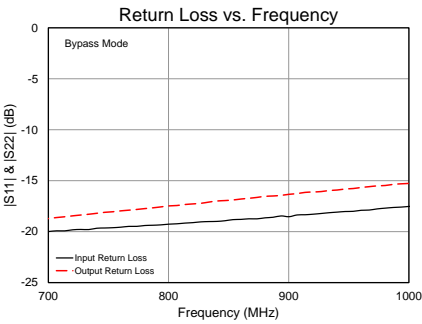
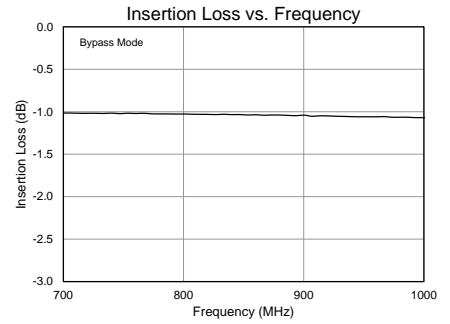
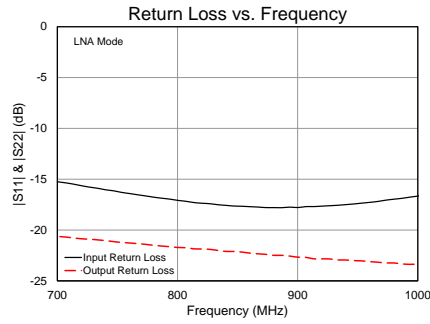
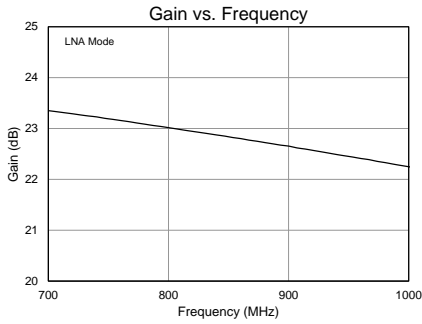


QPL9095 Improved Return Loss Tune

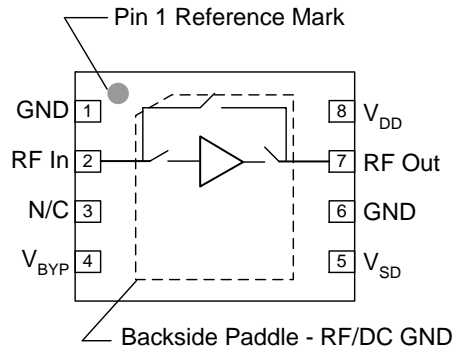


Performance Plots

Test conditions unless otherwise noted: $V_{DD} = +4.2\text{ V}$, $Temp. = +25\text{ }^\circ\text{C}$



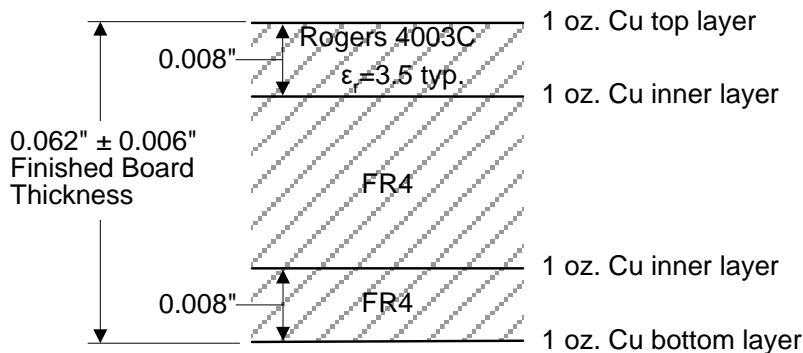
Pin Configuration and Description



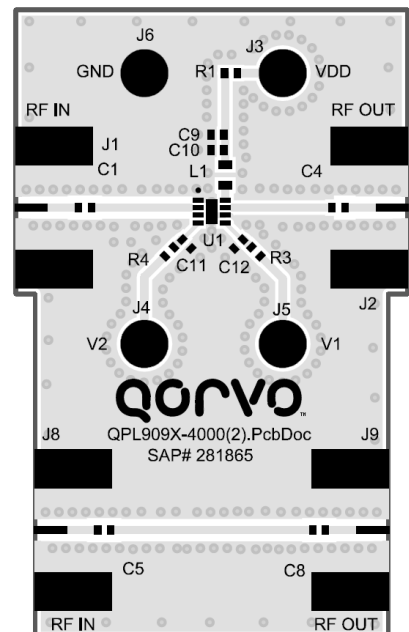
Pin No.	Label	Description
1, 6	GND	RF/DC Ground pin.
2	RFin	RF input pin. DC block required.
3	N/C	No internal connection. Provide grounded PCB land pads for mounting integrity.
4	V _{BYP}	Control pin for bypass mode. The LNA is automatically turned off when the bypass mode is activated. Refer to truth table on pg 2.
5	V _{SD}	Control pin to disable the LNA. Refer to truth table on pg. 2.
7	RFout	RF output pin. DC block required.
8	V _{DD}	Supply voltage pin. External choke and bypass capacitors needed.
Backside Paddle	RF/DC GND	RF/DC Ground. Follow recommended via pattern and ensure good solder attach for best thermal and electrical performance.

Evaluation Board PCB Information

Qorvo PCB 281865 Material and Stack-up

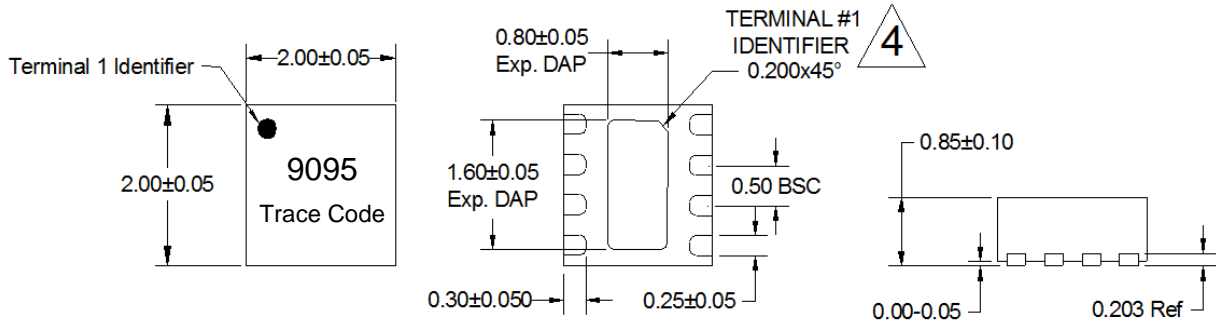


50 ohm line dimensions: width = 0.0182", spacing = 0.020"



Mechanical Information

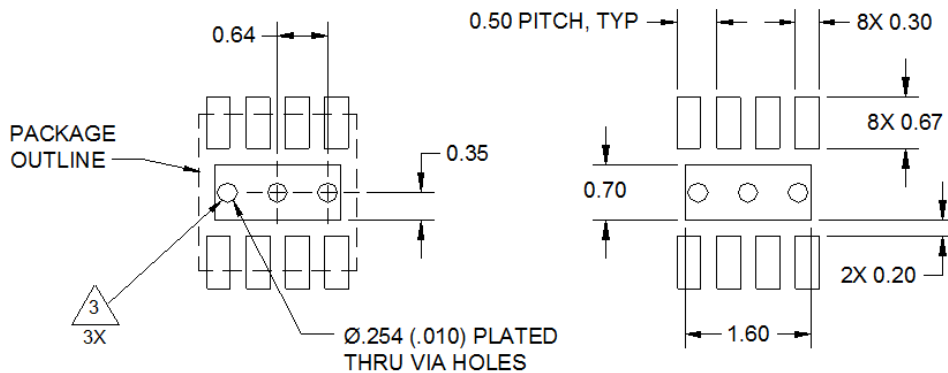
Package Marking and Dimensions



Notes:

1. All dimensions are in millimeters. Angles are in degrees.
2. Except where noted, this part outline conforms to JEDEC standard MO-220, Issue E (Variation VGGC) for thermally enhanced plastic very thin fine pitch quad flat no lead package (QFN).
3. Dimension and tolerance formats conform to ASME Y14.4M-1994.
4. The terminal #1 identifier and terminal numbering conform to JESD 95-1 SPP-012.

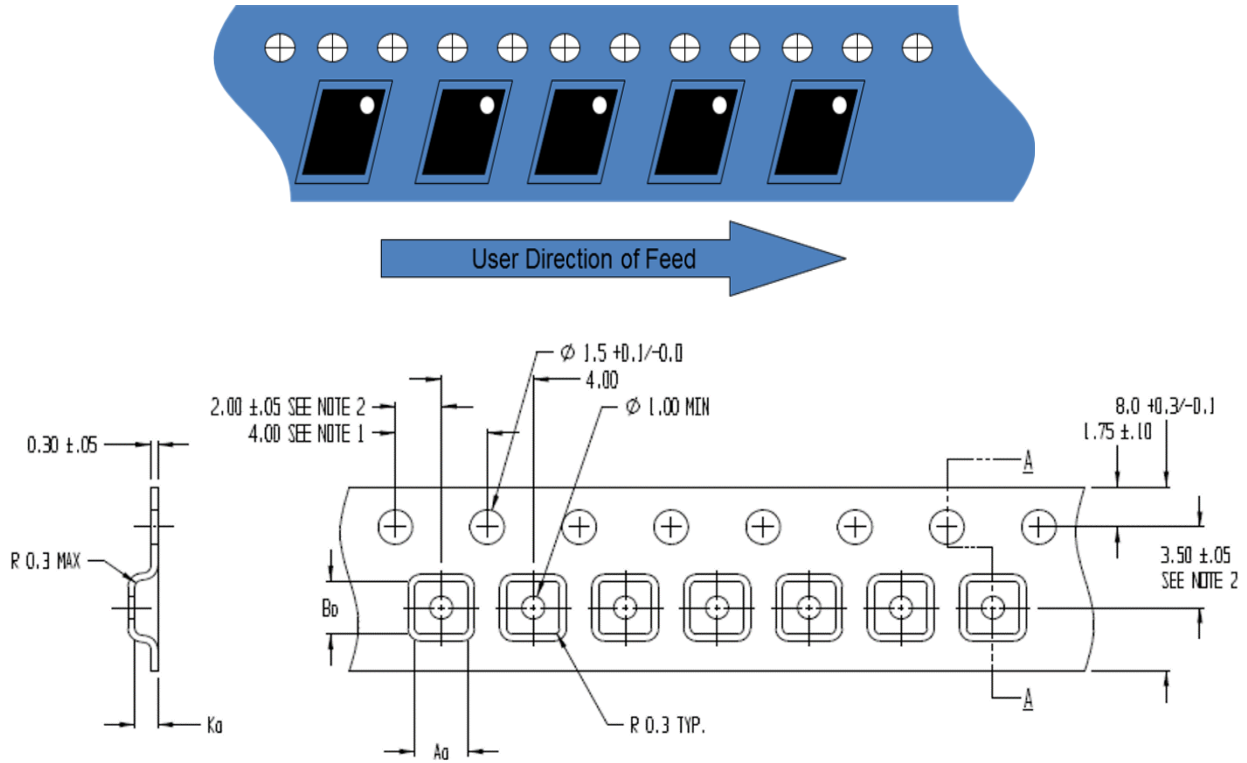
PCB Mounting Pattern



Notes:

1. All dimensions are in millimeters. Angles are in degrees.
2. Use 1 oz. copper minimum for top and bottom layer metal.
3. Vias are required under the backside paddle of this device for proper RF/DC grounding and thermal dissipation. We recommend a 0.35 mm ($\#80/.0135$ ") diameter bit for drilling via holes and a final plated thru diameter of 0.25 mm (0.10 ").
4. Ensure good package backside paddle solder attach for reliable operation and best electrical performance.

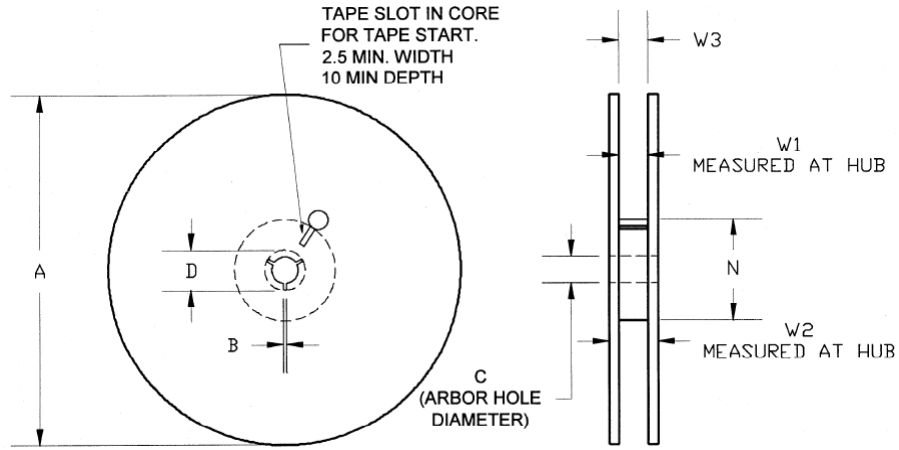
Tape and Reel Information – Carrier and Cover Tape Dimensions



Feature	Measure	Symbol	Size (in)	Size (mm)
Cavity	Length	A0	0.091	2.30
	Width	B0	0.091	2.30
	Depth	K0	0.051	1.30
	Pitch	P1	0.157	4.00
Centerline Distance	Cavity to Perforation - Length Direction	P2	0.079	2.00
	Cavity to Perforation - Width Direction	F	0.138	3.50
Cover Tape	Width	C	0.213	5.40
Carrier Tape	Width	W	0.315	8.00

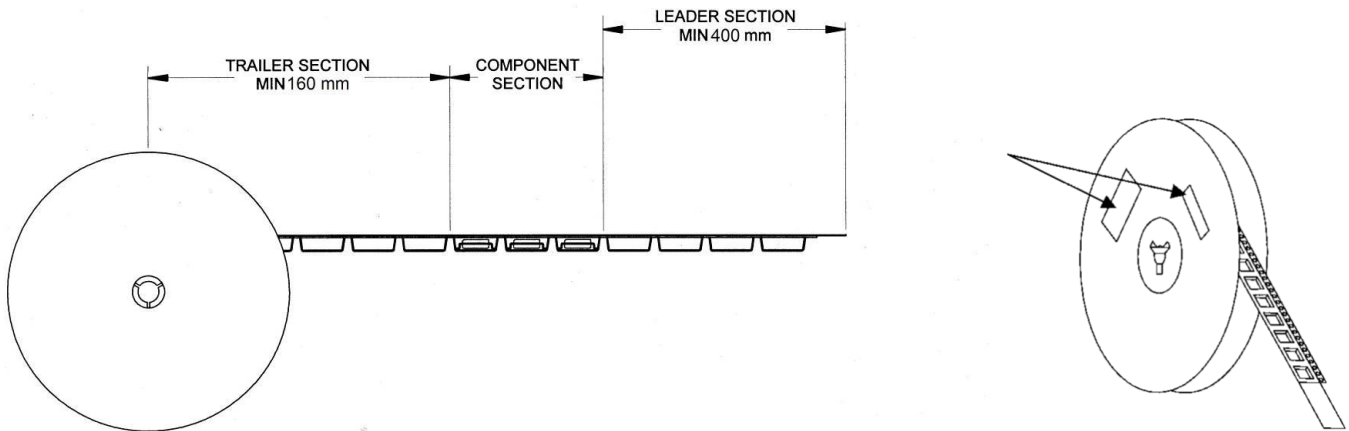
Tape and Reel Information – Reel Dimensions

Standard T/R size = 2,500 pieces on a 7" reel.



Feature	Measure	Symbol	Size (in)	Size (mm)
Flange	Diameter	A	6.969	177.0
	Thickness	W2	0.559	14.2
	Space Between Flange	W1	0.346	8.8
Hub	Outer Diameter	N	2.293	58.0
	Arbor Hole Diameter	C	0.512	13.0
	Key Slit Width	B	0.079	2.0
	Key Slit Diameter	D	0.787	20.0

Tape and Reel Information – Tape Length and Label Placement



- Notes:
1. Empty part cavities at the trailing and leading ends are sealed with cover tape. See EIA 481-1-A.
 2. Labels are placed on the flange opposite the sprockets in the carrier tape.