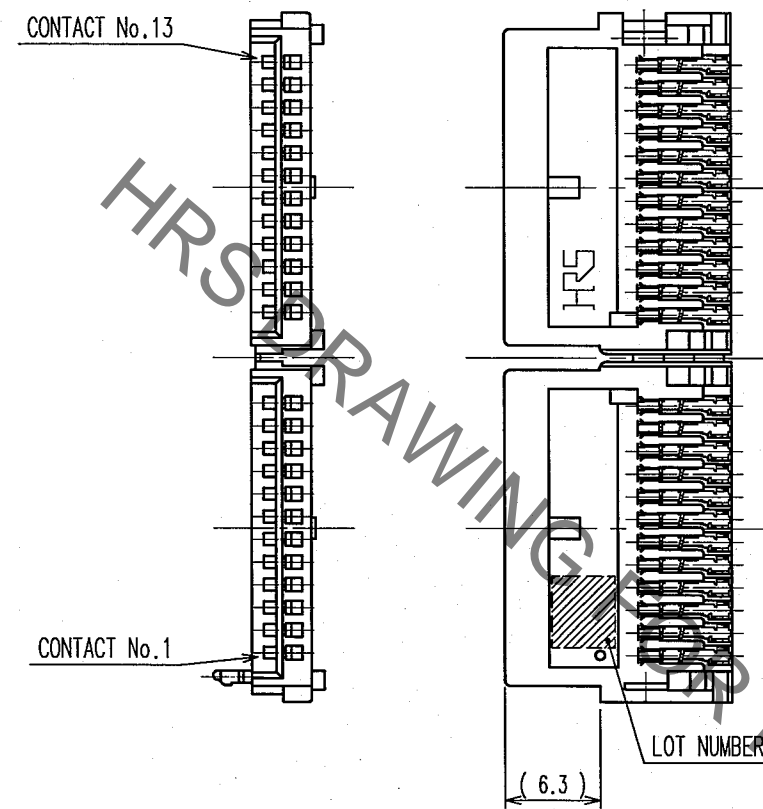
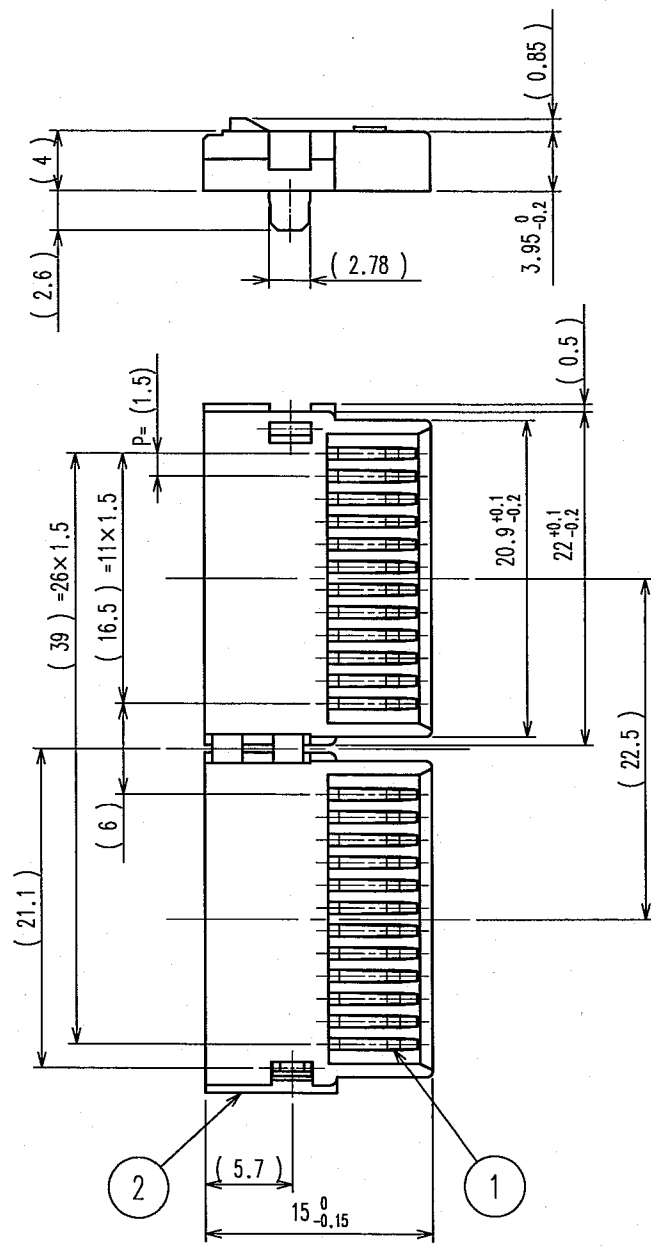
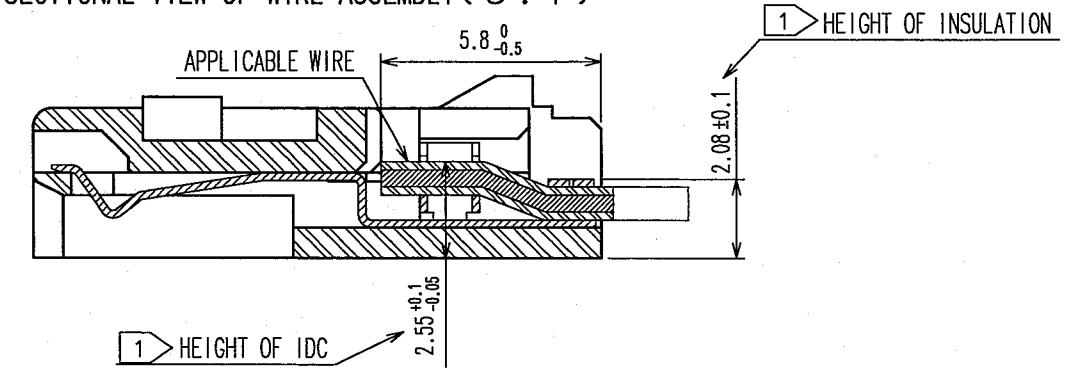


Sep.1.2019 Copyright 2019 HIROSE ELECTRIC CO., LTD. All Rights Reserved.
In case of consideration for using Automotive equipment / device which demand high reliability, kindly contact our sales window correspondents.

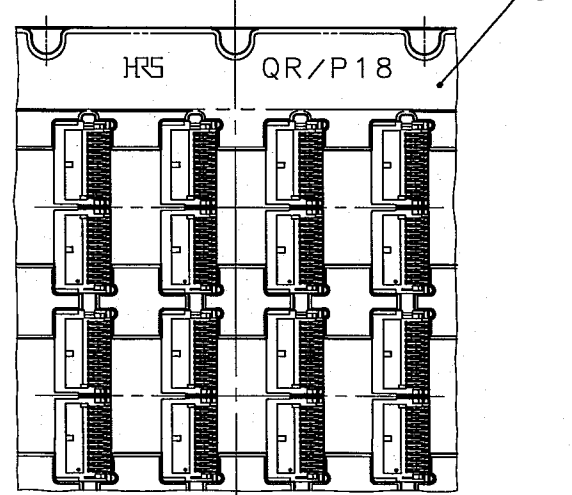
5		6			7			8		
COUNT	DESCRIPTION OF REVISIONS	BY	CHKD	DATE	COUNT	DESCRIPTION OF REVISIONS	BY	CHKD	DATE	
△				..	△				..	
△				..	△				..	
△				..	△				..	



SECTIONAL VIEW OF WIRE ASSEMBLY (5 : 1)



DRAWING FOR PACKING (1 : 2)



NOTES 1 HEIGHT OF IDC AND INSULATION ARE SPECIFIED FOR EACH CABLE TYPE.

2	POLYAMIDE	BLACK UL94V-0			
1	COOPER ALLOY	UNDERPLATING : NICKEL PLATING 1μm CONTACT AREA : GOLD PLATING 0.2μm TERMINAL AREA : GOLD FLASH PLATING	3	POLYSTYRENE	NATURAL
NO.	MATERIAL	FINISH, REMARKS	NO.	MATERIAL	FINISH, REMARKS
CODE NO. (OLD)			DRAWN	DESIGNED	CHECKED
			Y. Mameda	A. Kodama	S. Matsumoto
			07.1.11	07.1.11	07.1.11
DRAWING NO. EDC3-125284-01			PART NO. QR/P18-24SC		
SCALE 2 : 1			CODE NO. CL221-0296-6		
UNITS mm			HRS HIROSE ELECTRIC CO., LTD		

TO
Q