

Datasheet

Midsized sensors featuring extended range and background suppression mode

Features



- Bipolar discrete outputs, PNP and NPN
- 128 element photo receiver for superior performance on varying colors and textures
- 600 mm sensing range (90% White Card) in midsize QS30 housing
- Background suppression models for reliable detection of objects when the background condition is not controlled or fixed
- Linear multi-turn screw adjustment of cutoff distance
- Enhanced immunity to fluorescent lights
- Improved temperature compensation to minimize cutoff distance variation due to ambient temperature changes
- Powerful, highly collimated visible red sensing beam allows two sensors to be used in close proximity
- Models available with 2 m or 9 m (6.5 ft or 30 ft) cable or integral metal quick-disconnect; or 150 mm (6 in) pigtail
- Tough ABS housing is rated IEC IP67; NEMA 6
- Mounting versatility via popular 30 mm threaded barrel or side-mount



WARNING:

- **Do not use this device for personnel protection**
- Using this device for personnel protection could result in serious injury or death.
- This device does not include the self-checking redundant circuitry necessary to allow its use in personnel safety applications. A device failure or malfunction can cause either an energized (on) or de-energized (off) output condition.

Models - Background Suppression

Model	Supply Voltage	Sensing Range	Output Type
QS30AF600	10 to 30 V DC	Adjustable Cutoff Range: 50 to 600 mm Maximum Sensing Range: 400mm - 6% Black Card; 500mm - 18% Gray Card; 600mm - 90% White Card Minimum Sensing Range (Dead Zone): 30mm - 6% Black Card	Bipolar (1 NPN and 1 PNP)

Only standard 2 m (6.5 ft) cable models are listed.

- To order the 9 m (30 ft) cable model, add the suffix **W/30** to the model number (for example, **QS30AF600 W/30**).
- To order the 5-pin integral QD, add the suffix **Q** to the model number (for example, **QS30AF600Q**)
- To order the 150 mm (6 inch) PVC cable with a 5-pin M12 connector, add the suffix **Q5** to the model number (for example, **QS30AF600Q5**)

Overview

Banner's WORLD-BEAM® QS30 Adjustable-Field Sensors with Background Suppression ignore objects beyond the set cutoff distance. Background suppression mode can be used in most situations with varying object color and position or with varying background conditions. The default mode for background suppression sensors is Light Operate (LO).



Figure 1. Sensor Features



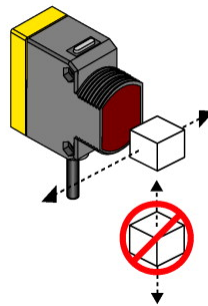
1. Green: Power Indicator LED
2. Yellow: Light Sensed Indicator LED (Flashes for Marginal Conditions)
3. Blue/Red: End-of-travel (EOT) Indicator LED
4. Cutoff Distance Adjustment Screw
5. Yellow: Output Indicator LED

Configuration Instructions

Sensor Orientation

To ensure reliable detection, orient the sensor as shown in relation to the target to be detected.

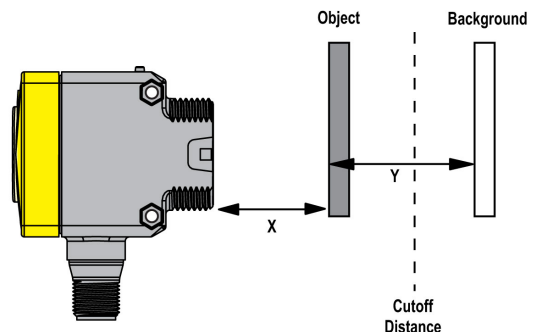
Figure 2. Optimal Orientation of Target to Sensor



Sensor Setup - Background Suppression (LO mode)

1. Mount the sensor with the darkest object at the longest application distance (the distance to object must be less than shown in [Figure 7](#) on p. 6 for your object color).
2. Turn adjustment pot **counter-clockwise** until it clicks and EOT LED turns **on red** (4 turns).
3. Turn the adjustment pot **clockwise** until the yellow indicator turns **on**.
4. Replace darkest object with the brightest background at the closest application distance.
5. Turn the adjustment pot **clockwise**, counting the revolutions, until the Yellow Output LED turns **on**.
6. Turn the adjustment pot **counter-clockwise** half the number of turns from step 5. This will place the cutoff distance midway between the object and the background switchpoints (See Figure at right).

Figure 3. Set cutoff distance approximately midway between the farthest target and the closest background



- X: Distance to Object
 Y: Minimum Separation Between Object and Background

Setup Example

Background Suppression Mode Application Example

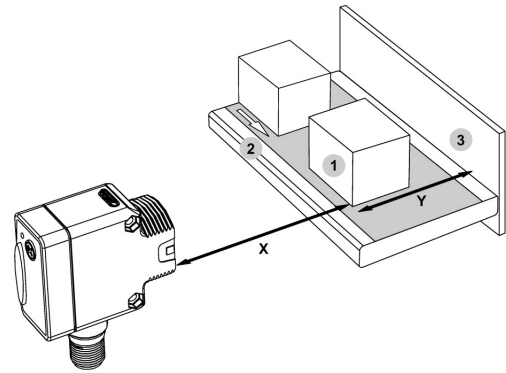
Background Suppression Mode: Objects beyond the set cutoff distance will not be detected.

Background suppression mode can be used in most situations with varying object color and position or with varying background conditions.

To ensure reliable background suppression, a minimum separation distance between the object and the background is necessary. See Figure 7 on p. 6 to determine the minimum separation distance.

Example: An object with a reflectivity similar to black paper is set 300 mm away from the sensor. A background with reflectivity similar to white paper is set 350 mm away from the sensor. According to Figure 7 on p. 6, the minimum separation distance between the object and the background is 20 mm. In this application, reliable detection will be achieved when set up according to the procedure outlined in Sensor Setup - Background Suppression Mode.

Figure 4.



1. Object
2. Conveyor
3. Background

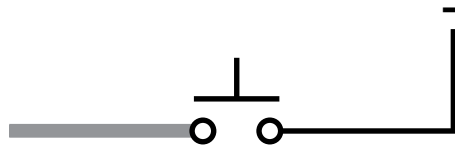
X: Distance to Object = 300 mm

Y: Minimum Separation Between Object and Background > 20 mm

Remote Configuration

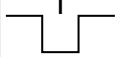
The Remote Configuration function may be used to SET the sensor's cutoff distance remotely or to disable the cutoff distance adjustment screw for security. Connect the gray/Input wire of the sensor to ground (0V dc), with a remote switch connected between them. Pulse the gray/Input wire according to the diagrams in the configuration procedures. The length of the individual pulses is equal to the value T where $0.04 \text{ s} \leq T \leq 0.8 \text{ s}$.

Figure 5. Connecting the gray/Input wire

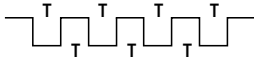
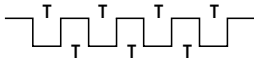


Object SET:

The distance to the target object is sampled; the sensor optimizes the cutoff distance beyond the distance to the target object. In RUN mode, objects located between the minimum sensing range and the cutoff distance are sensed; anything beyond the cutoff distance (e.g., other objects or background surfaces) is ignored.

Step	Procedure	Result
Sample Target Object	Present target object Single-pulse the gray/Input wire 	Green Power and Yellow Light Sensed LEDs flash alternately 3 times (EOT LED alternately flashes Red/Blue 3 times at the same time)
Return to Run Mode	Sensor returns automatically to RUN mode	SET accepted: Sensor returns directly to RUN mode SET failed: Feedback is displayed for 2 seconds (Yellow Light Sensed LED OFF, Green Power LED flashes 4 times)

Cutoff Distance Adjustment Screw Disable/Enable:

Step	Procedure	Result
Disable	Quad-pulse the gray/Input wire 	EOT LED flashes Red 4 times Cutoff point adjustment screw disabled
Enable	Quad-pulse the gray/Input wire 	EOT LED flashes Blue 4 times Cutoff point adjustment screw enabled

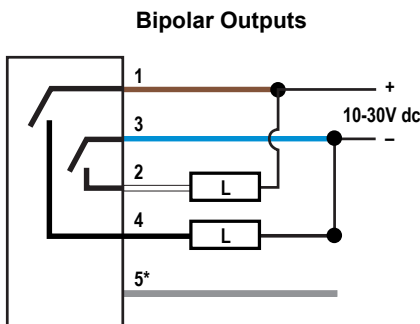
End-of-Travel (EOT) Indicator LED

Cutoff Distance Adjustment Screw Status	Result
Cutoff distance adjustment screw in between max. and min. end-of-travel limits	EOT LED OFF
Cutoff distance adjustment screw turned clockwise to max. end-of-travel limit	EOT LED ON Blue
Cutoff distance adjustment screw turned counter-clockwise to min. end-of-travel limit	EOT LED ON Red
Cutoff distance adjustment screw turned while disabled	EOT LED alternately flashes Red/Blue 4 times

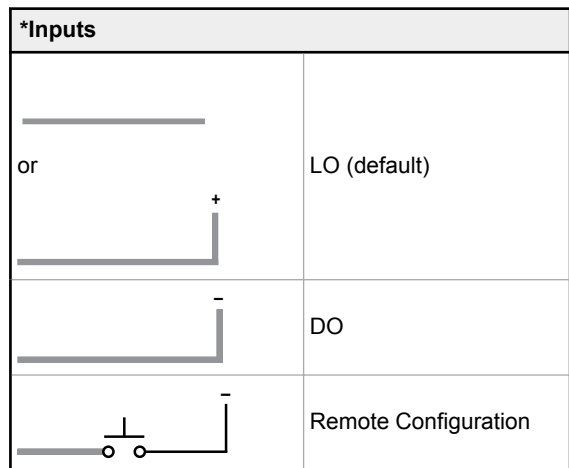
Output States

Background Suppression Mode					
Output	Object Inside Minimum Sensing Range	Object Between Minimum Sensing Range and Cutoff Distance		Object Beyond Cutoff Distance	
		LO	DO	LO	DO
Yellow Output LED	Undefined	ON	OFF	OFF	ON
Black Wire (Pin 4)	Undefined	ON	OFF	OFF	ON
White Wire (Pin 2)	Undefined	ON	OFF	OFF	ON
Yellow Light Sensed LED	Undefined	ON or Flashing (if < 1.5x excess gain)		OFF	

Wiring Diagrams



- Key:**
- 1 = Brown
 - 2 = White
 - 3 = Blue
 - 4 = Black
 - 5 = Gray (Input*)
 - L = Load



Specifications

Sensing Range

Adjustable Cutoff Range: 50 to 600 mm
 Maximum Sensing Range: 400 mm - 6% Black Card, 500 mm - 18% Gray Card, 600 mm - 90% White Card
 Minimum Sensing Range (Dead Zone): 30 mm - 6% Black Card

Supply Voltage and Current

10 to 30 V dc (10% maximum ripple within specified limits); Current consumption: < 80 mA at 10 V dc; < 40 mA at 30 V dc

Supply Protection

Protected against reverse polarity and transient voltages

Sensing Beam

Visible red LED, 660 nm

Output Configuration

Bi-polar Models: Solid-state bipolar (SPDT): both sinking and sourcing
 Off-state leakage current: < 5 µA at 30 V dc

ON-state saturation voltage:

- **NPN:** less than 1.5 V at 100 mA
- **PNP:** less than 2.0 V at 100 mA

Output Protection Circuitry

Protected against false pulse on power-up and continuous overload or short circuit of outputs.

Output Response

5 millisecond ON/OFF;
 200 ms delay on power-up; outputs do not conduct during this time

Repeatability

750 µs

Adjustments

Four-turn adjustment screw sets cutoff distance between min. and max. positions, clutched at both ends of travel

Indicators

2 Indicator LEDs on sensor top:

- **Green solid:** Power ON
- **Amber solid:** Light sensed (excess gain > 1.5x)
- **Amber flashing:** Marginal sensing condition (excess gain < 1.5x)

2 Indicator LEDs on sensor back:

- Small Blue/Red End-of-travel (EOT) LED
- Large Amber Output LED

Construction

ABS housing
QD models: nickel-plated brass

Environmental Rating

IEC IP67; NEMA 6

Connections

2 m (6.5 ft) 5-wire PVC cable, 9 m (30 ft) PVC cable, or 5-pin Integral QD or Euro-style 150 mm (6 in) pigtail QD, depending on model

Operating Conditions

Temperature: -20 °C to +60 °C (-4 °F to +140 °F)

Humidity: 95% at +50 °C maximum relative humidity (non-condensing)

Certifications



Performance Curves

Figure 6. Typical emitter spot diameter vs. distance

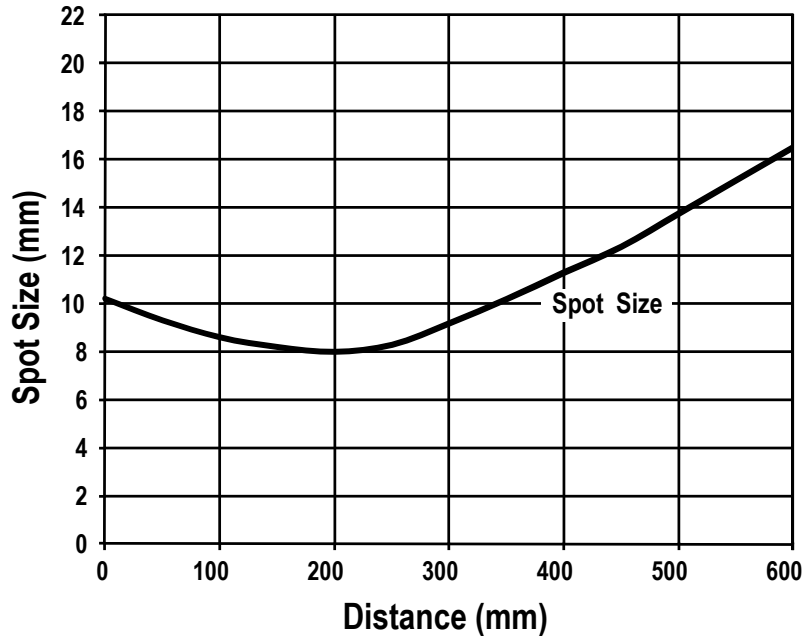
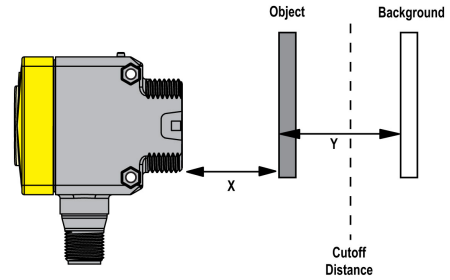
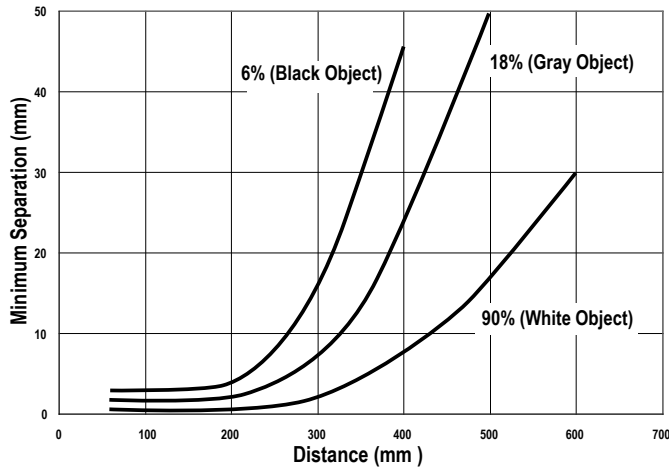


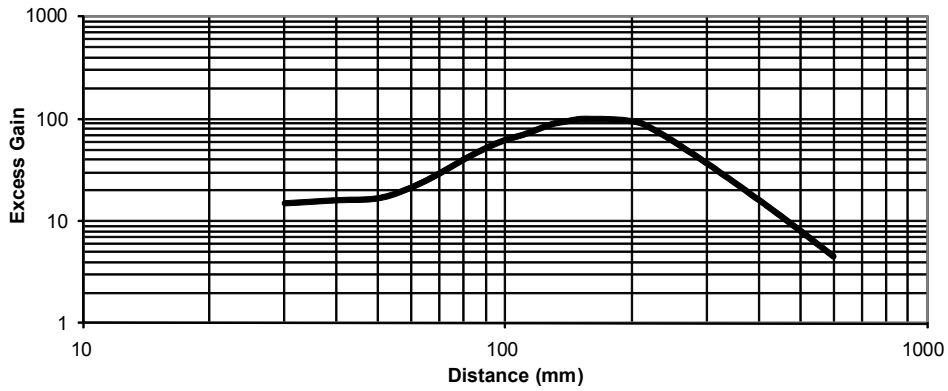
Figure 7. Minimum separation distance* between object and background: background suppression mode



* Targets with severe color contrasts can increase the Minimum Separation Distance

Excess Gain Curves

Figure 8. QS30AF600 Excess Gain Curve (based on 90% White Card)



Dimensions (QD Models)

