

# 10/100BASE-T SINGLE PORT TRANSFORMER MODULES

Industrial grade



- Compliant with IEEE 802.3 standards
- 350pH OCL with 8mA DC bias at 100KHz 100mV
- Lead finish: Pure tin
- Moisture Sensitivity Level: 1

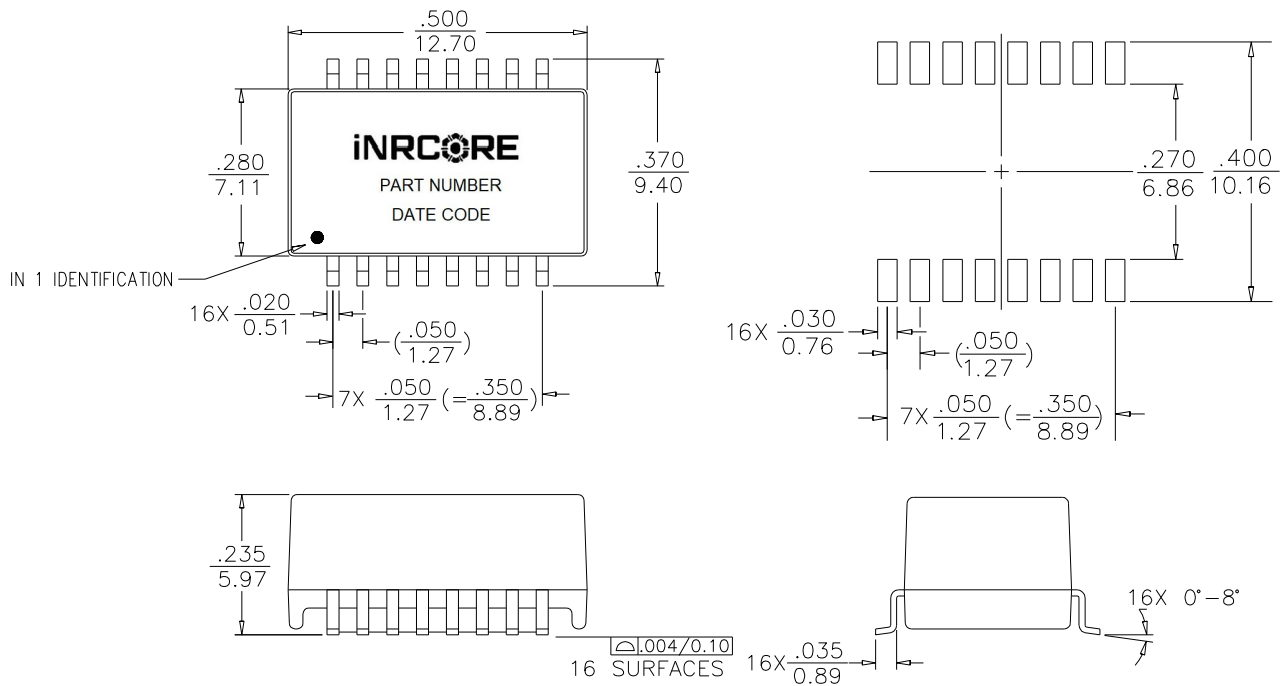
## Electrical Specifications @25 °C –Operating temperature : – 40 °C to + 85 °C

Part Number	Insertion Loss (dB MAX)	Return Loss (dB MIN)				Crosstalk (dB MIN)				DM to CM Rejection Ratio (dB MIN)			Dielectric Withstanding Voltage @60s (Vrms MIN)
		0.1-100 MHz	5-30 MHz	50 MHz	60 MHz	80 MHz	1 MHz	30 MHz	60 MHz	100 MHz	30 MHz	60 MHz	
R1022NL	-1.2	-18	-14	-14	-12	-48	-45	-40	-35	-42	-37	-32	1500

Notes: 1. Add suffix "T" to part number for Tape & Reel package (ie: **R1022NLT**).

## Mechanical

R1022NL



WEIGHT.....APPROX 1.16 GRAMS  
 TAPE & REEL.....600/REEL  
 TUBE.....40/TUBE  
 DIMENSIONS:  $\frac{\text{INCHES}}{\text{MM}}$   
 UNLESS OTHERWISE SPECIFIED, ALL TOLERANCES ARE  $\pm \frac{.010}{0.25}$



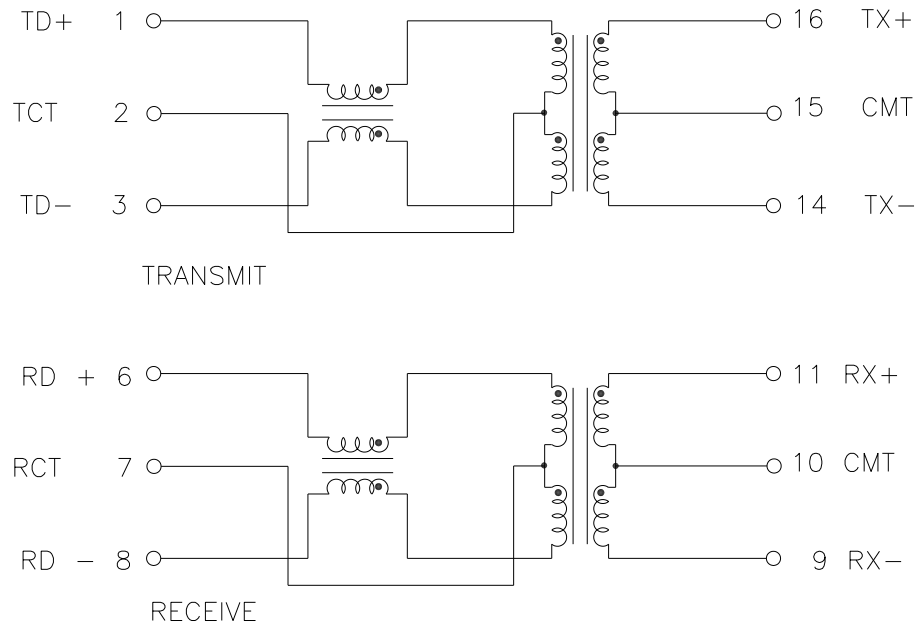
# 10/100BASE-T SINGLE PORT TRANSFORMER MODULES

Industrial grade

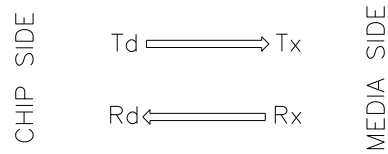


## Electrical Schematic

R1022NL



### LEGEND



ALL CHANNELS ARE  
IN PHASE BETWEEN  
INPUT TO OUTPUT

