

10/100BASE-TX TRANSFORMER MODULES

Industrial Grade



- ⚙️ Compliant with IEEE 802.3 standards
- ⚙️ Low profile packages .088" Max for PC card and card bus applications
- ⚙️ 350µH OCL with 8mA DC bias at 100KHz 100mV
- ⚙️ Lead finish: Pure tin
- ⚙️ Moisture Sensitivity Level: 1

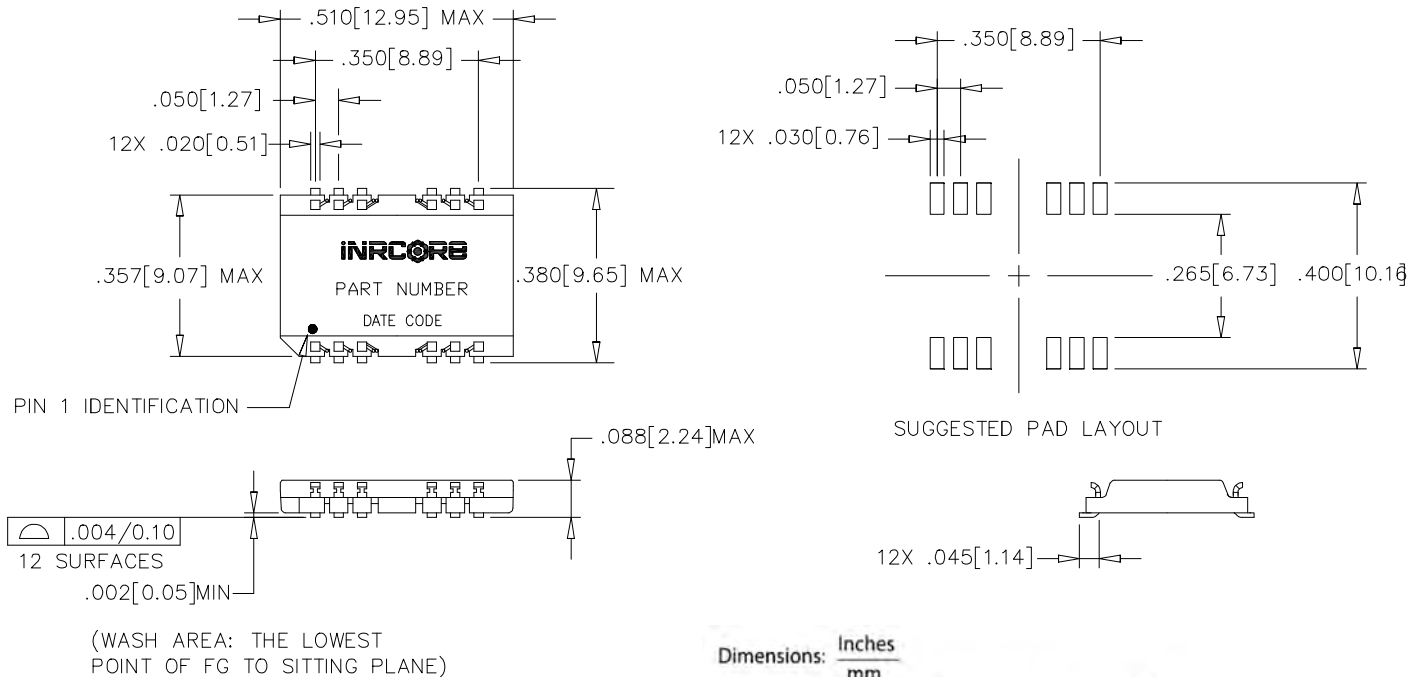
Electrical Specifications @ 25 °C – Operating Temperature – 40 °C to +85 °C

| Part Number | Insertion Loss (dB Max) | Return Loss (dB Min) | | | Crosstalk (dB Min) | | | | CM to CM Rejection Ratio (dB Min) | | | Dielectric Withstanding Voltage @60s (Vrms MIN) |
|-------------|-------------------------|----------------------|----------|--------|--------------------|-------|--------|--------|-----------------------------------|--------|--------|-------------------------------------------------|
| | | 0.1-100 MHz | 5-30 MHz | 60 MHz | 80 MHz | 1 MHz | 30 MHz | 60 MHz | 100 MHz | 30 MHz | 60 MHz | |
| R1035NL | -1.2 | -16 | -14 | -10 | -48 | -45 | -40 | -35 | -35 | -30 | -25 | 1500 |

Note:1. Tape&Reel Packaging, add "T" suffix at the end of the part number; i.e. **R1035NLT**

Mechanical

R1035NL



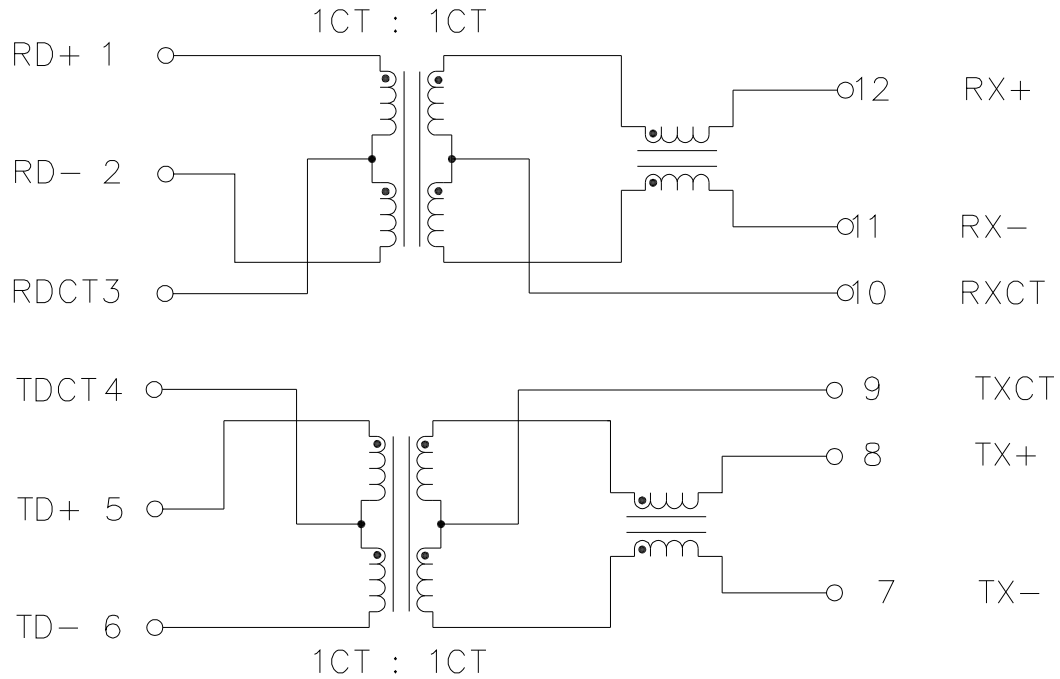
Dimensions: $\frac{\text{Inches}}{\text{mm}}$

Unless otherwise specified, all tolerances are: $\pm \frac{.010}{0,25}$

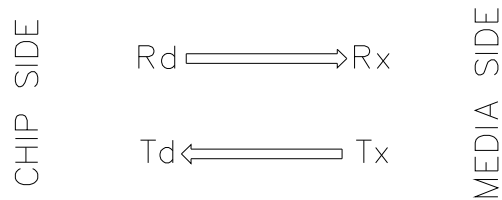


Electrical Schematic

R1035NL



LEGEND



ALL CHANNELS ARE
IN PHASE BETWEEN
INPUT TO OUTPUT