

# 10/100BASE-TX TRANSFORMER MODULES

Industrial Grade



- ⚙️ Compliant with IEEE 802.3 standards
- ⚙️ Low profile packages .088" Max for PC card and card bus applications
- ⚙️ 350µH OCL with 8mA DC bias at 100KHz 100mV
- ⚙️ Lead finish: Pure tin
- ⚙️ Moisture Sensitivity Level: 1

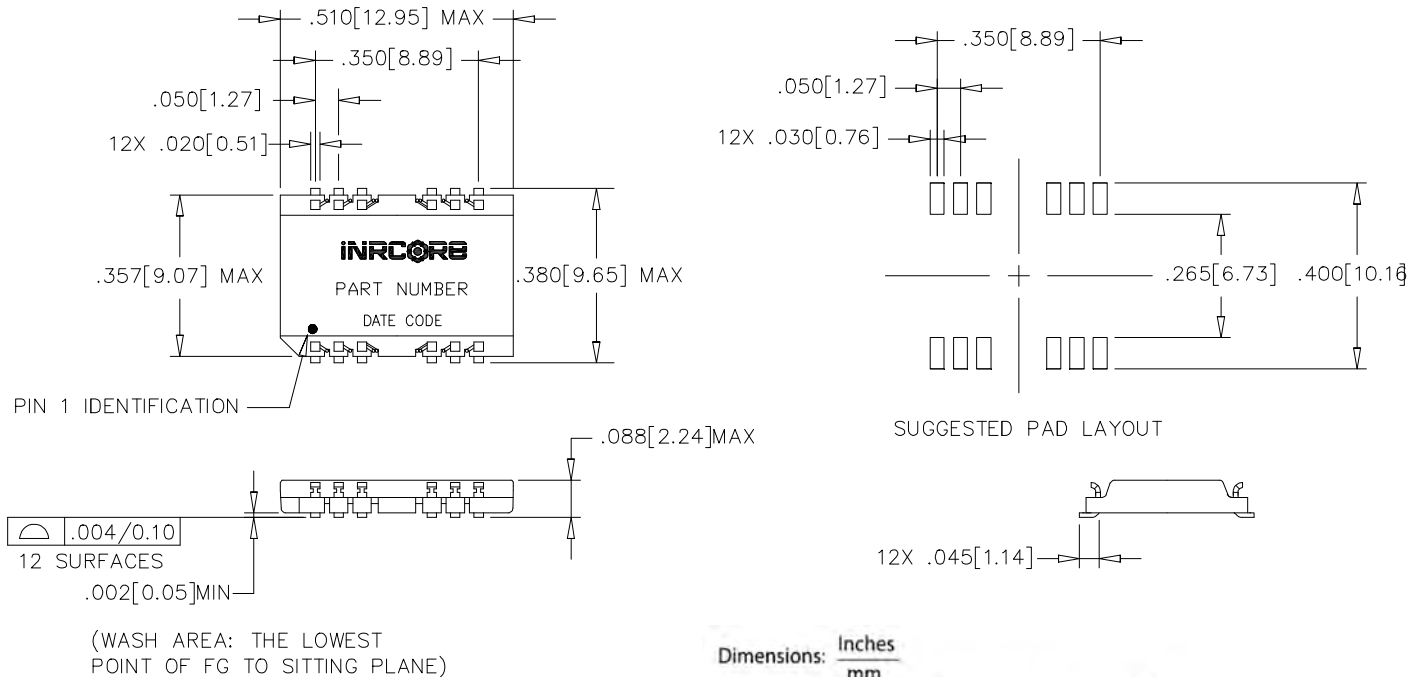
## Electrical Specifications @ 25 °C – Operating Temperature – 40 °C to +85 °C

Part Number	Insertion Loss (dB Max)	Return Loss (dB Min)			Crosstalk (dB Min)				CM to CM Rejection Ratio (dB Min)			Dielectric Withstanding Voltage @60s (Vrms MIN)
		0.1-100 MHz	5-30 MHz	60 MHz	80 MHz	1 MHz	30 MHz	60 MHz	100 MHz	30 MHz	60 MHz	
R1035NL	-1.2	-16	-14	-10	-48	-45	-40	-35	-35	-30	-25	1500

Note:1. Tape&Reel Packaging, add "T" suffix at the end of the part number; i.e. **R1035NLT**

## Mechanical

R1035NL



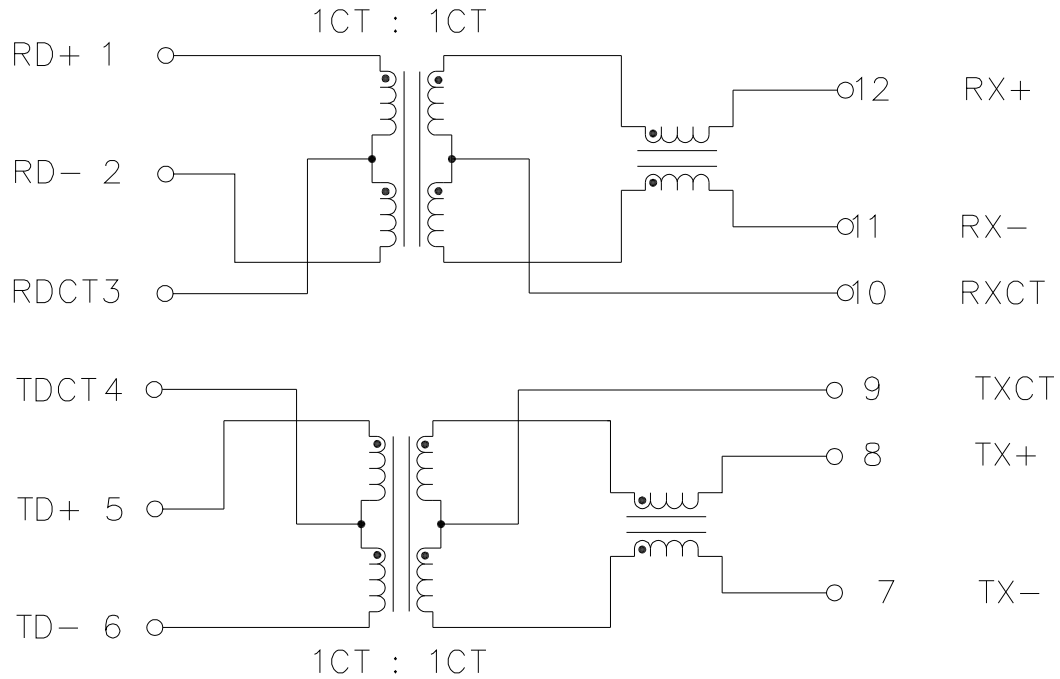
Dimensions:  $\frac{\text{Inches}}{\text{mm}}$

Unless otherwise specified, all tolerances are:  $\pm \frac{.010}{0,25}$

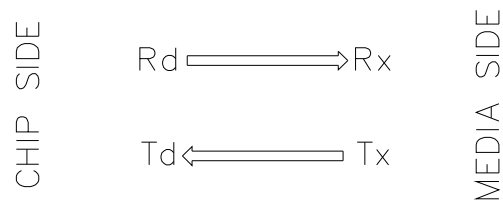


Electrical Schematic

R1035NL



LEGEND



ALL CHANNELS ARE  
IN PHASE BETWEEN  
INPUT TO OUTPUT