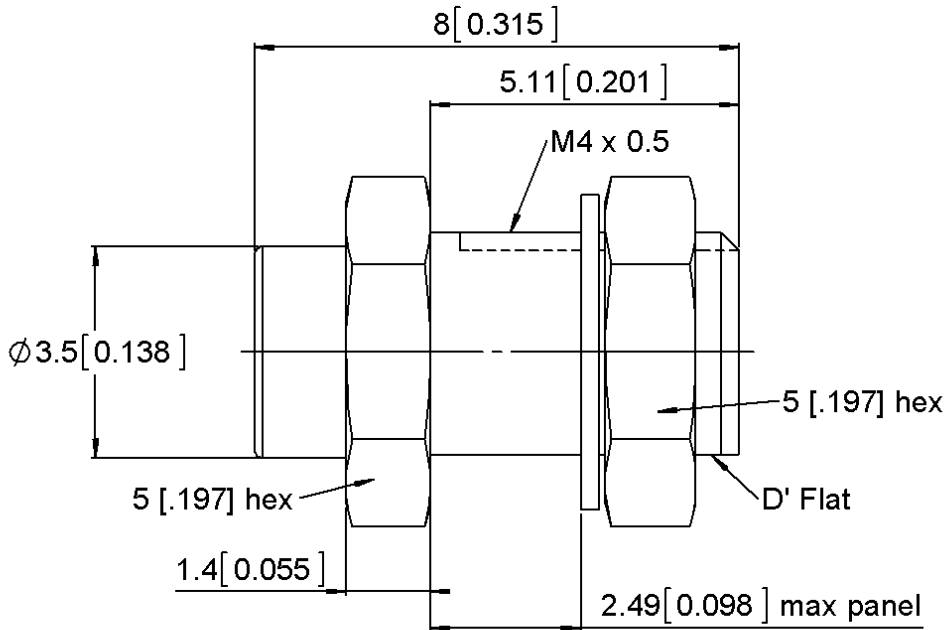


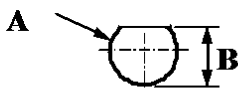
**MMCX F - MMCX F STRAIGHT
ADAPTER**

R110.704.103

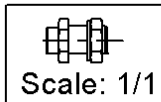
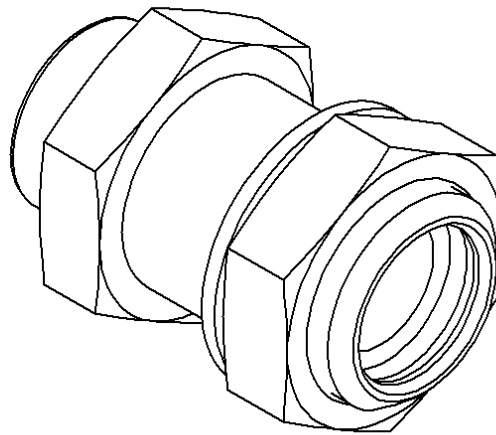
Série : ADAPT



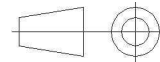
PANEL CUT OUT



mm		
	Maxi	mini
A	4.39	3.99
B	4.11	3.71



All dimensions are in mm.



COMPONENTS	MATERIALS	PLATING (μm)
BODY	BRASS.	GOLD 0.8 OVER COPPER 2.5
CENTER CONTACT	BERYLLIUM COPPER	GOLD 1.3 OVER NICKEL 2
OUTER CONTACT		
INSULATOR	PTFE	
GASKET		
OTHERS PARTS	BRASS.	GOLD 0.8 OVER COPPER 2.5
-	-	-
-	-	-

Issue : 1233 A

In the effort to improve our products, we reserve the rights to make changes judged to be necessary.



MMCX F - MMCX F STRAIGHT

R110.704.103

ADAPTER

Série : ADAPT

PACKAGING

SPECIFICATION

Standard	Unit	Other
	'W' option	Contact us

ELECTRICAL CHARACTERISTICS

ENVIRONMENTAL

Impedance	50	Ω
Frequency	0-6	GHz
VSWR	1.20 + 0,0300	x F(GHz) Maxi
Insertion loss	0.15	\sqrt{F} (GHz) dB Maxi
RF leakage	- (NA)	- F(GHz)) dB Maxi
Voltage rating	170	Veff Maxi
Dielectric withstanding voltage	500	Veff mini
Insulation resistance	1000	M Ω mini

Operating	-55/+155	$^{\circ}$ C
Hermetic seal	NA	Atm.cm3/s
Panel leakage	NA	

MECHANICAL CHARACTERISTICS

OTHER CHARACTERISTICS

Center contact retention		
Axial force – Mating end		N mini
Axial force – Opposite end		N mini
Torque		N.cm mini
Recommended torque		
Mating	0	N.cm
	0	N.cm
	0	N.cm
Panel nut		N.cm
Mating life	500	Cycles mini
Weight	0,7500	g

Issue : 1233 A

In the effort to improve our products, we reserve the rights to make changes judged to be necessary.

