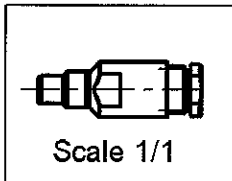
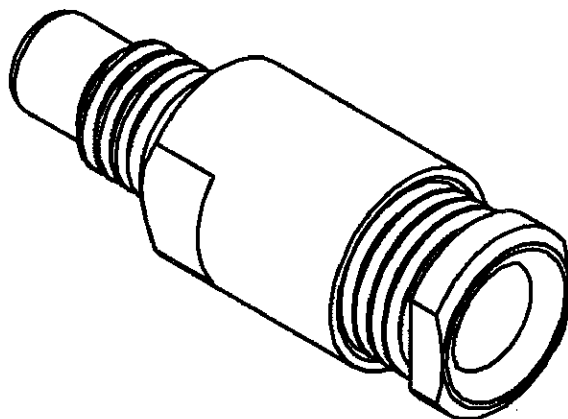
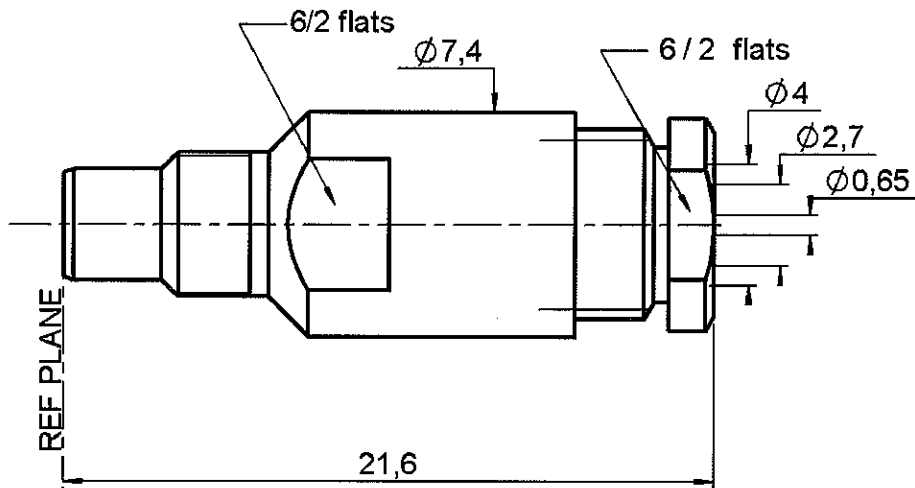


STRAIGHT JACK CLAMP TYPE

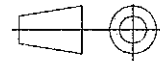
R112.209.000

CABLE 3.8/95 S

Series : SMC



All dimensions are in mm.



COMPONENTS	MATERIALS	PLATINGS (μm)
BODY	BRASS	GOLD 0.2 OVER NICKEL 2
CENTER CONTACT	BRASS	GOLD 1.3 OVER NICKEL 2
OUTER CONTACT	-	-
INSULATOR	PTFE	-
GASKET	SILICONE RUBBER	-
OTHERS PARTS	-	-
-	-	-
-	-	-

Issue : 0621 G

In the effort to improve our products, we reserve the right to make changes judged to be necessary.



RADIALL®

STRAIGHT JACK CLAMP TYPE

R112.209.000

CABLE 3.8/95 S

Series : SMC

PACKAGING

Standard	Unit	Other
1	-	Contact us

SPECIFICATION

CABLE ASSEMBLY

ELECTRICAL CHARACTERISTICS

Impedance	50	Ω
Frequency	0-10	GHz
VSWR	NA + 0,0000	x F(GHz) Maxi
Insertion loss	NA	√F(GHz) dB Maxi
RF leakage	- (62	- F(GHz) dB mini
Voltage rating	335	Veff Maxi
Dielectric withstanding voltage	1000	Veff mini
Insulation resistance	1000	MΩ mini

Stripping	a	b	c	d	e	f
mm	2,50	0,00	4,50	4,50	1,20	0,00

Assembly instruction :

Recommended cable(s)

RG 180 BU

RG 195 AU

Cable retention

- pull off	150	N mini
- torque	NA	N.cm

MECHANICAL CHARACTERISTICS

Center contact retention		
Axial force – Mating end	10	N mini
Axial force – Opposite end	10	N mini
Torque	NA	N.cm mini

TOOLING

Part Number	Description	Hexagon
.	.	.

OTHERS CHARACTERISTICS

Recommended torque		
Mating	NA	N.cm
Panel nut	NA	N.cm
Clamp nut	150	N.cm
A/F clamp nut	6,0000	mm

Mating life	500	Cycles mini
Weight	3,1840	g

ENVIRONMENTAL

Operating temperature	-65/+165	° C
Hermetic seal	NA	Atm.cm3/s
Panel leakage	NA	

Issue : 0621 G

In the effort to improve our products, we reserve the right to make changes judged to be necessary.



RADIALL®