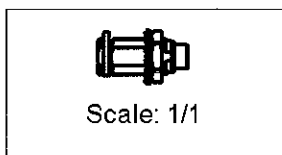
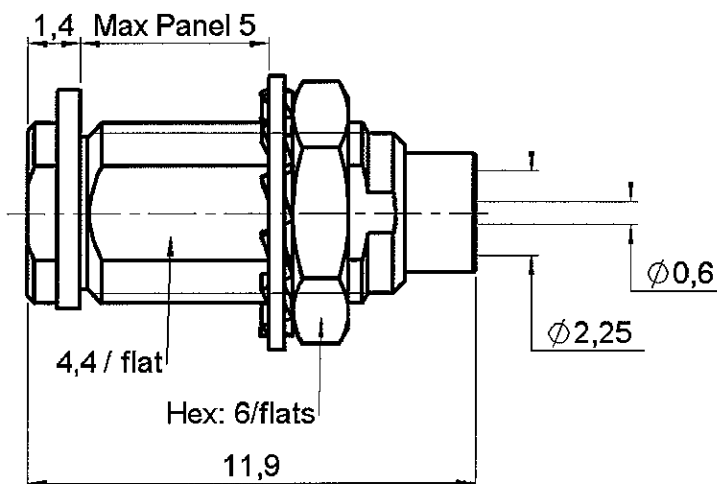


**STRAIGHT BULKHEAD JACK SOLDER TYPE**

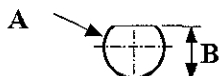
**R113.303.000**

**CABLE .085**

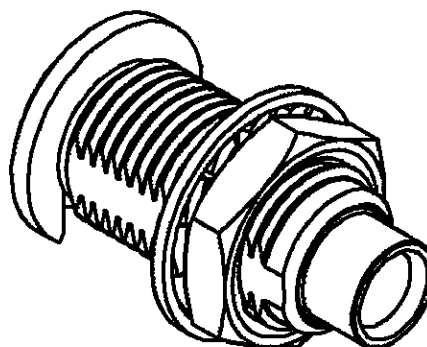
Series : MCX



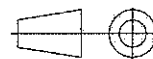
**PANEL CUT OUT**



mm		
	Maxi	mini
A	5	4.9
B	5.59	4.46



All dimensions are in mm.



COMPONENTS	MATERIALS	PLATINGS (µm)
BODY	BRASS	GOLD 0.2 OVER NICKEL 2
CENTER CONTACT	BERYLLIUM COPPER	GOLD 1.3 OVER NICKEL 2
OUTER CONTACT	-	-
INSULATOR	PTFE	-
GASKET	-	-
OTHERS PARTS	BRASS	GOLD 0.2 OVER NICKEL 2
-	-	-
-	-	-

Issue : 0450 E

In the effort to improve our products, we reserve the right to make changes judged to be necessary.



**STRAIGHT BULKHEAD JACK SOLDER TYPE**

**R113.303.000**

**CABLE .085**

Series : **MCX**

**PACKAGING**

**SPECIFICATION**

Standard	Unit	Other
1		Contact us

**CABLE ASSEMBLY**

**ELECTRICAL CHARACTERISTICS**

Stripping	a	b	c	d	e	f
mm	2.70	0.00	0.00	0.00	2.10	0.00

Impedance **50** Ω  
 Frequency **0-6** GHz  
 VSWR **1.10** + **0.040** x F(GHz) Maxi  
 Insertion loss **0.25** √F(GHz) dB Maxi  
 RF leakage - (**NA** - F(GHz)) dB mini  
 Voltage rating **250** Veff Maxi  
 Dielectric withstanding voltage **750** Veff mini  
 Insulation resistance **1000** MΩ mini

Assembly instruction :

Recommended cable(s)  
 RG 405  
 KS 1

Cable retention

- pull off **155** N mini  
 - torque **NA** N.cm

**MECHANICAL CHARACTERISTICS**

**TOOLING**

Center contact retention  
 Axial force – Mating end **NA** N mini  
 Axial force – Opposite end **NA** N mini  
 Torque **NA** N.cm mini

Part Number	Description	Hexagon
R282.740.020	SOLDERING MOUNTING	

Recommended torque  
 Mating **NA** N.cm  
 Panel nut **60** N.cm  
 Clamp nut **NA** N.cm  
 A/F clamp nut **0.000** mm

**OTHERS CHARACTERISTICS**

Mating life **500** Cycles mini  
 Weight **0.000** g

**ENVIRONMENTAL**

Operating temperature **-55/+115** °C  
 Hermetic seal **NA** Atm.cm3/s  
 Panel leakage **NA**

Issue : 0450 E

In the effort to improve our products, we reserve the right to make changes judged to be necessary.

