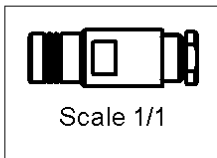
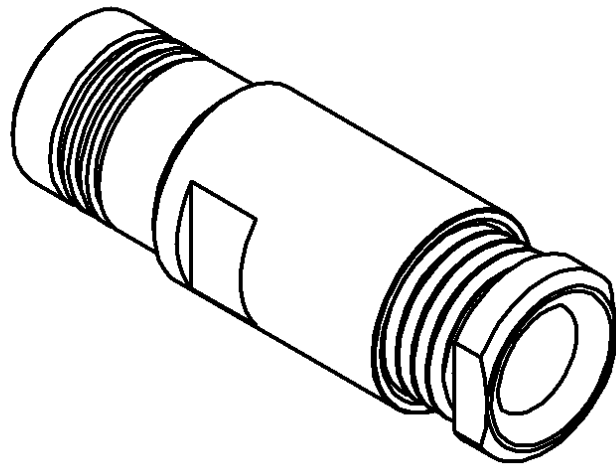
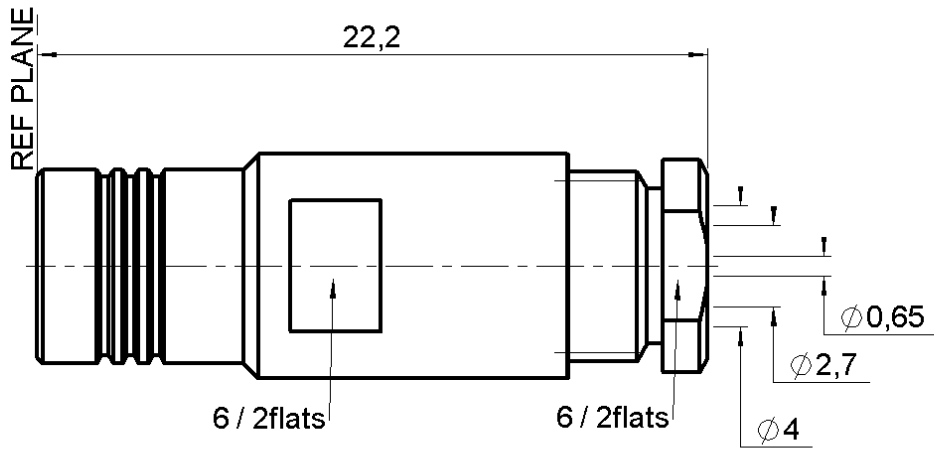


STRAIGHT PLUG CLAMP TYPE

R114.009.000

CABLE 3.8/95 S

Series : SMB



All dimensions are in mm.



COMPONENTS	MATERIALS	PLATINGS (μm)
BODY	BRASS	GOLD 0.2 OVER NICKEL 2
CENTER CONTACT	BERYLLIUM COPPER	GOLD 1.3 OVER NICKEL 2
OUTER CONTACT	BERYLLIUM COPPER	GOLD 0.5 OVER NICKEL 2
INSULATOR	PTFE	
GASKET	-	
OTHERS PARTS	BRASS	GOLD 0.2 OVER NICKEL 2
-	-	-
-	-	-

Issue : 0215 V

In the effort to improve our products, we reserve the right to make changes judged to be necessary.



STRAIGHT PLUG CLAMP TYPE**R114.009.000****CABLE 3.8/95 S**Series : **SMB****PACKAGING**

Standard	Unit	Other
100	'W' option	Contact us

SPECIFICATION**CABLE ASSEMBLY****ELECTRICAL CHARACTERISTICS**

Impedance		50 Ω
Frequency		0-4 GHz
VSWR	NA +	0.000 x F(GHz) Maxi
Insertion loss		NA √F(GHz) dB Maxi
RF leakage	- (57 - F(GHz)) dB mini
Voltage rating		335 Veff Maxi
Dielectric withstanding voltage		1000 Veff mini
Insulation resistance		1000 MΩ mini

Stripping	a	b	c	d	e	f
mm	2.50	1.20	4.50	4.50	0.00	0.00

Assembly instruction :

Recommended cable(s)

RG 180 BU

RG 195 AU

Cable retention

- pull off

150 N mini

- torque

NA N.cm**MECHANICAL CHARACTERISTICS**

Center contact retention		
Axial force – Mating end		10 N mini
Axial force – Opposite end		10 N mini
Torque		NA N.cm mini

TOOLING

Part Number	Description	Hexagon
.	.	.

OTHERS CHARACTERISTICS

Recommended torque		
Mating		NA N.cm
Panel nut		NA N.cm
Clamp nut		150 N.cm
A/F clamp nut		6.000 mm

Mating life		500 Cycles mini
Weight		3.811 g

ENVIRONMENTAL

Operating temperature		-65/+165 °C
Hermetic seal		NA Atm.cm ³ /s
Panel leakage		NA

Issue : **0215 V**

In the effort to improve our products, we reserve the right to make changes judged to be necessary.

