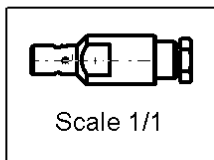
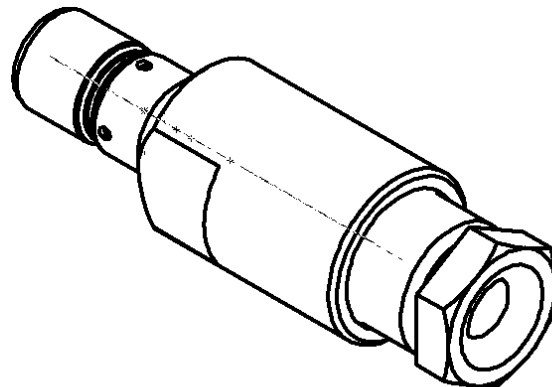
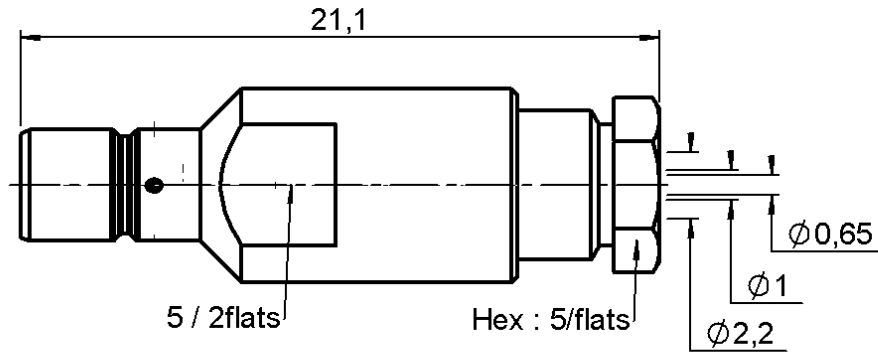


**STRAIGHT JACK CLAMP TYPE**

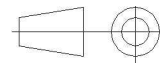
**R114.203.000**

**CABLE 2/50 S**

Series : SMB



All dimensions are in mm.



COMPONENTS	MATERIALS	PLATINGS (µm)
BODY	BRASS	GOLD 0.2 OVER NICKEL 2
CENTER CONTACT	BRASS	GOLD 1.3 OVER NICKEL 2
OUTER CONTACT	-	GOLD 0.5 OVER NICKEL 2
INSULATOR	PTFE	
GASKET	CHLOROPRENE	
OTHERS PARTS	BRASS	GOLD 0.2 OVER NICKEL 2
-	-	-
-	-	-

Issue : 0422 T

In the effort to improve our products, we reserve the right to make changes judged to be necessary.



**STRAIGHT JACK CLAMP TYPE**

**R114.203.000**

**CABLE 2/50 S**

Series : SMB

**PACKAGING**

Standard	Unit	Other
<b>100</b>	<b>'W' option</b>	<b>Contact us</b>

**SPECIFICATION**

**CABLE ASSEMBLY**

**ELECTRICAL CHARACTERISTICS**

Stripping	a	b	c	d	e	f
mm	2.50	0.00	4.50	4.50	1.20	0.00

Impedance		<b>50</b>	$\Omega$
Frequency		<b>0-4</b>	GHz
VSWR	<b>1.30</b> +	<b>0.040</b>	x F(GHz) Maxi
Insertion loss		<b>0.25</b>	$\sqrt{F}$ (GHz) dB Maxi
RF leakage	- (	<b>57</b>	- F(GHz)) dB mini
Voltage rating		<b>250</b>	Veff Maxi
Dielectric withstanding voltage		<b>750</b>	Veff mini
Insulation resistance		<b>1000</b>	M $\Omega$ mini

Assembly instruction :

Recommended cable(s)  
 RG 178  
 RG 196  
 RG 178 LC  
 KX 21

**MECHANICAL CHARACTERISTICS**

Cable retention  
 - pull off **58** N mini  
 - torque **NA** N.cm

Center contact retention			
Axial force – Mating end		<b>10</b>	N mini
Axial force – Opposite end		<b>10</b>	N mini
Torque		<b>NA</b>	N.cm mini

**TOOLING**

Part Number	Description	Hexagon
.	.	.

Recommended torque			
Mating		<b>NA</b>	N.cm
Panel nut		<b>NA</b>	N.cm
Clamp nut		<b>40</b>	N.cm
A/F clamp nut		<b>5.000</b>	mm

**OTHERS CHARACTERISTICS**

Mating life		<b>500</b>	Cycles mini
Weight		<b>0.000</b>	g

**ENVIRONMENTAL**

Operating temperature		<b>-55°/+100</b>	$^{\circ}$ C
Hermetic seal		<b>NA</b>	Atm.cm3/s
Panel leakage		<b>NA</b>	

Issue : 0422 T

In the effort to improve our products, we reserve the right to make changes judged to be necessary.

