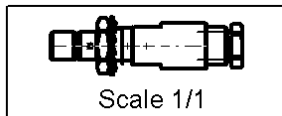
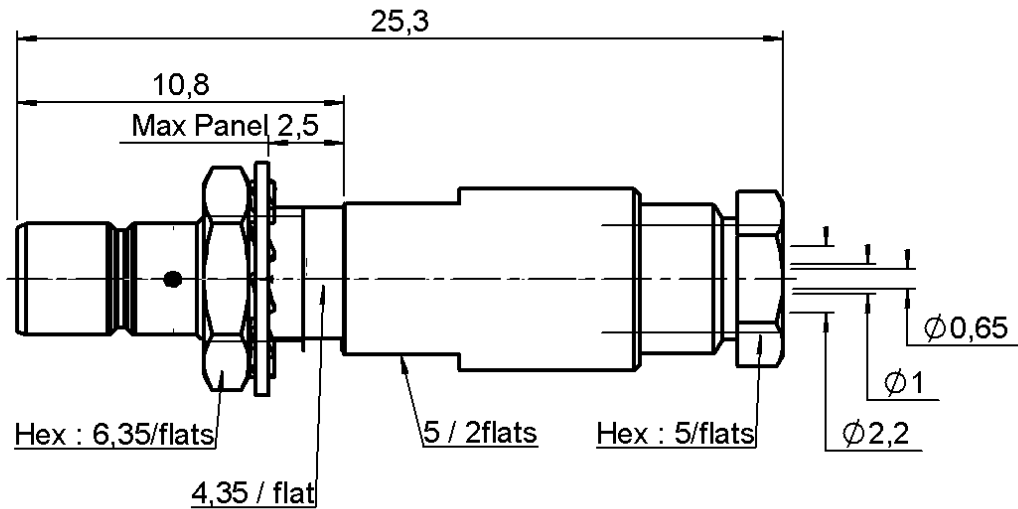


STRAIGHT BULKHEAD JACK CLAMP TYPE

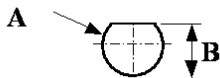
R114.303.000

REAR MOUNT - CABLE 2/50 S

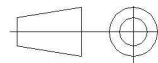
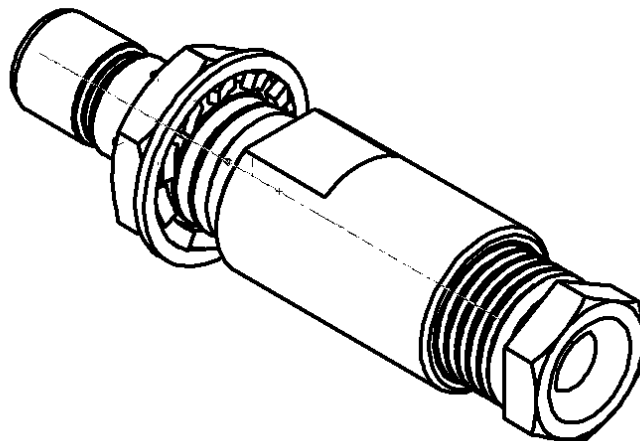
Series : SMB



PANEL CUT OUT



| mm | | |
|----|------|------|
| | Maxi | mini |
| A | 5 | 4.9 |
| B | 4.55 | 4.45 |



All dimensions are in mm.

| COMPONENTS | MATERIALS | PLATINGS (μm) |
|----------------|-------------|----------------------------|
| BODY | BRASS | GOLD 0.2 OVER NICKEL 2 |
| CENTER CONTACT | BRASS | GOLD 1.3 OVER NICKEL 2 |
| OUTER CONTACT | - | - |
| INSULATOR | PTFE | - |
| GASKET | CHLOROPRENE | - |
| OTHERS PARTS | BRASS | GOLD 0.2 OVER NICKEL 2 |
| - | - | - |
| - | - | - |

Issue : 0422 C

In the effort to improve our products, we reserve the right to make changes judged to be necessary.



STRAIGHT BULKHEAD JACK CLAMP TYPE

R114.303.000

REAR MOUNT - CABLE 2/50 S

Series : SMB

PACKAGING

| | | |
|------------|-------------------|-------------------|
| Standard | Unit | Other |
| 100 | 'W' option | Contact us |

SPECIFICATION

00A 4051 779

CABLE ASSEMBLY

| Stripping | a | b | c | d | e | f |
|-----------|------|------|------|------|------|------|
| mm | 2.50 | 0.00 | 4.50 | 4.50 | 1.20 | 0.00 |

ELECTRICAL CHARACTERISTICS

| | | |
|---------------------------------|---------------|-----------------------------|
| Impedance | | 50 Ω |
| Frequency | | 0-4 GHz |
| VSWR | 1.30 + | 0.040 x F(GHz) Maxi |
| Insertion loss | | 0.25 √F(GHz) dB Maxi |
| RF leakage | - (| 57 - F(GHz)) dB mini |
| Voltage rating | | 250 Veff Maxi |
| Dielectric withstanding voltage | | 750 Veff mini |
| Insulation resistance | | 1000 MΩ mini |

Assembly instruction :

Recommended cable(s)
 RG 178
 RG 196
 RG 178 LC
 KX 21

MECHANICAL CHARACTERISTICS

| | | |
|----------------------------|--|---------------------|
| Center contact retention | | |
| Axial force – Mating end | | 10 N mini |
| Axial force – Opposite end | | 10 N mini |
| Torque | | NA N.cm mini |

Cable retention

| | |
|------------|------------------|
| - pull off | 58 N mini |
| - torque | NA N.cm |

TOOLING

| Part Number | Description | Hexagon |
|-------------|-------------|---------|
| . | . | . |

| | | |
|--------------------|--|-----------------|
| Recommended torque | | |
| Mating | | NA N.cm |
| Panel nut | | 60 N.cm |
| Clamp nut | | 40 N.cm |
| A/F clamp nut | | 5.000 mm |

| | | |
|-------------|--|------------------------|
| Mating life | | 500 Cycles mini |
| Weight | | 0.000 g |

OTHERS CHARACTERISTICS

ENVIRONMENTAL

| | | |
|-----------------------|--|---------------------|
| Operating temperature | | -55°/+100 °C |
| Hermetic seal | | NA Atm.cm3/s |
| Panel leakage | | NA |

Issue : 0422 C

In the effort to improve our products, we reserve the right to make changes judged to be necessary.

