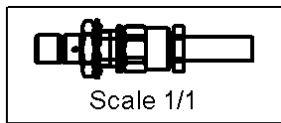
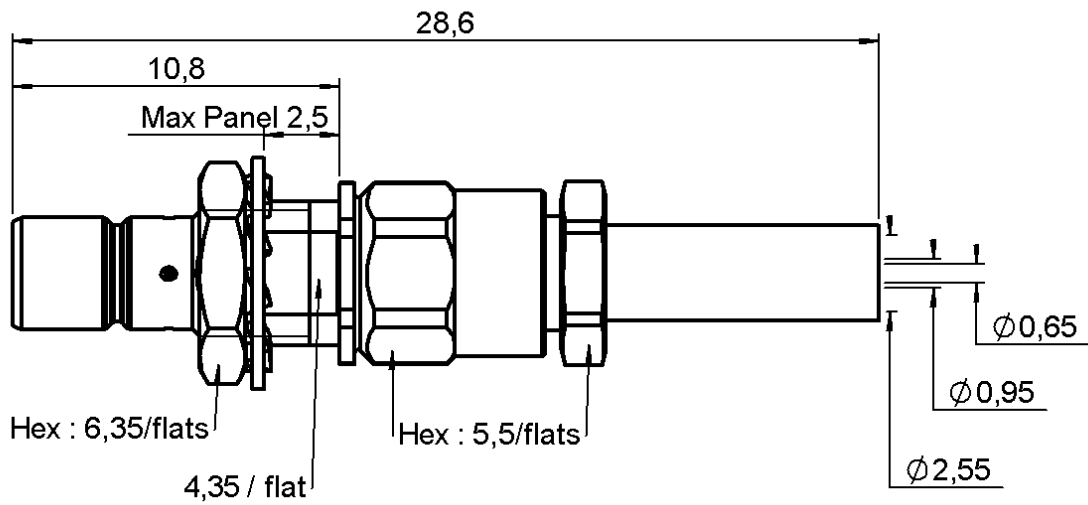


STRAIGHT BULKHEAD JACK CRIMP TYPE

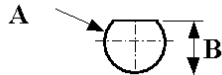
R114.311.000

REAR MOUNT - CABLE 2/50 S

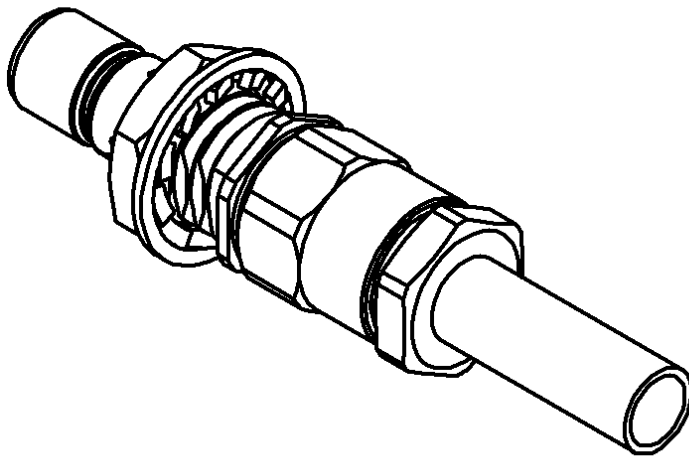
Series : SMB



PANEL CUT OUT



mm		
	Maxi	mini
A	5	4.9
B	4.55	4.45



All dimensions are in mm.

COMPONENTS	MATERIALS	PLATINGS (µm)
BODY	BRASS	GOLD 0.2 OVER NICKEL 2
CENTER CONTACT	BRASS	GOLD 1.3 OVER NICKEL 2
OUTER CONTACT	-	-
INSULATOR	PTFE	-
GASKET	-	-
OTHERS PARTS	BRASS	GOLD 0.2 OVER NICKEL 2
-	-	-
-	-	-

Issue : 0217 B

In the effort to improve our products, we reserve the right to make changes judged to be necessary.



STRAIGHT BULKHEAD JACK CRIMP TYPE

R114.311.000

REAR MOUNT - CABLE 2/50 S

Series : SMB

PACKAGING

Standard	Unit	Other
100	'W' option	Contact us

SPECIFICATION

ELECTRICAL CHARACTERISTICS

Impedance		50 Ω
Frequency		0-4 GHz
VSWR	1.30 +	0.040 x F(GHz) Maxi
Insertion loss		0.25 √F(GHz) dB Maxi
RF leakage	- (57 - F(GHz)) dB Maxi
Voltage rating		250 Veff Maxi
Dielectric withstanding voltage		750 Veff mini
Insulation resistance		1000 MΩ mini

CABLE ASSEMBLY

Stripping	a	b	c	d	e	f
mm	2.20	5.40	15.5	0.00	13.3	0.00

Assembly instruction : **Crimp 10**

Recommended cable(s)
 RG 178
 RG 196
 RG 178 LC
 KX 21

Cable retention
 - pull off **58** N mini
 - torque **NA** N.cm

MECHANICAL CHARACTERISTICS

Center contact retention		
Axial force – Mating end	10	N mini
Axial force – Opposite end	10	N mini
Torque	NA	N.cm mini

TOOLING

Part Number	Description	Hexagon
.	.	.
R282.235.003	CRIMPING DIES	2.67
R282.211.000	CRIMPING TOOL	2.67
R282.293.000	CRIMPING TOOL	-

Recommended torque		
Mating	NA	N.cm
Panel nut	60	N.cm
Clamp nut	40	N.cm
A/F clamp nut	5.000	mm

Mating life	500	Cycles mini
Weight	3.100	g

OTHERS CHARACTERISTICS

ENVIRONMENTAL

Operating temperature	-65/+165	° C
Hermetic seal	NA	Atm.cm3/s
Panel leakage	NA	

Issue : 0217 B

In the effort to improve our products, we reserve the right to make changes judged to be necessary.

