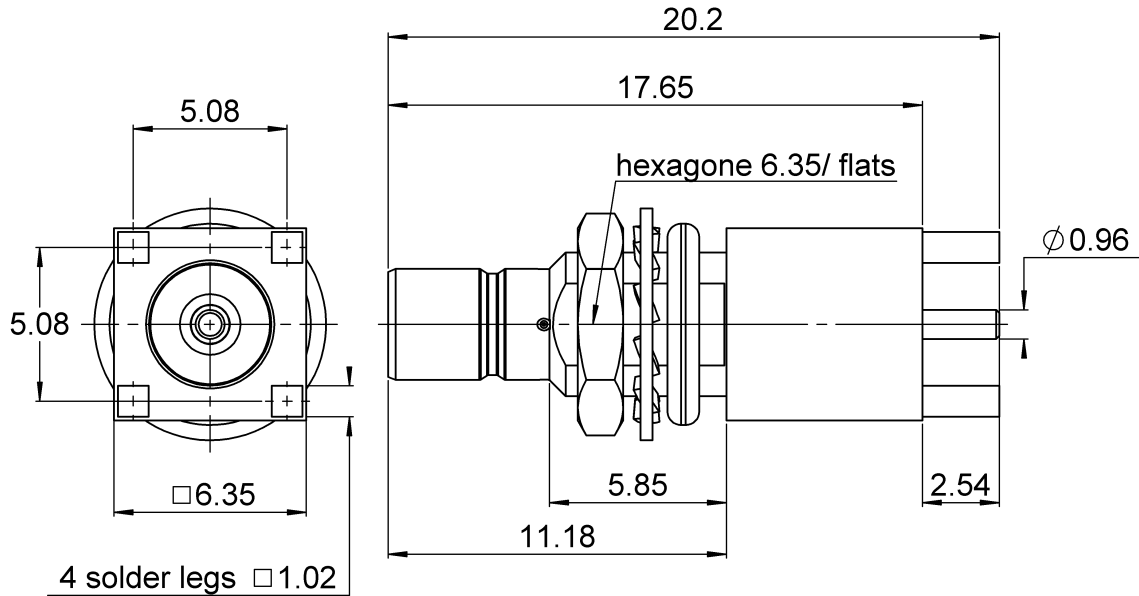
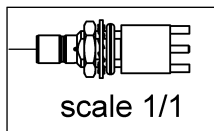
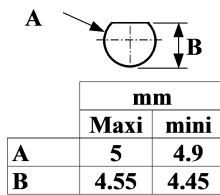


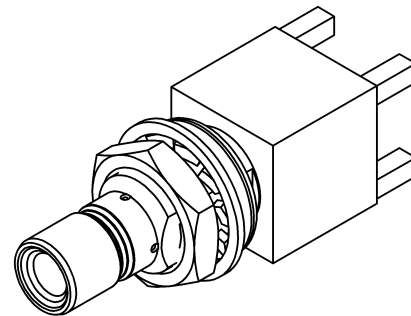
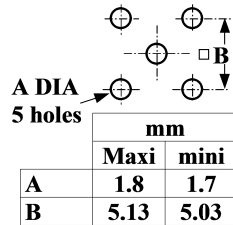
PAGE 1/2	ISSUE 01-11-16E	SERIES SMB	PART NUMBER R114590035
----------	-----------------	-------------------	-------------------------------



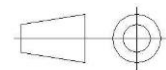
PANEL CUT OUT



PANEL CUT OUT



All dimensions are in mm.



COMPONENTS	MATERIALS	PLATING (µm)
Body	BRASS	NICKEL
Center contact	BRASS	GOLD OVER NICKEL
Outer contact	-	
Insulator	PTFE	
Gasket	FLUOROCARBON+SILICONE RUBBER	
Others parts	BRASS	NICKEL
-	-	-
-	-	-

PAGE 2/2	ISSUE 01-11-16E	SERIES SMB	PART NUMBER R114590035
----------	-----------------	-------------------	-------------------------------

PACKAGING

Standard	Unit	Other
100	Contact us	Contact us

ELECTRICAL CHARACTERISTICS

Impedance		50	Ω
Frequency		0-4	GHz
VSWR	1.05	+	0.0080 x F(GHz) Maxi
Insertion loss		0.03*	√F(GHz) dB Maxi
RF leakage	- (57	- F(GHz) dB Maxi
Voltage rating		500	Veff Maxi
Dielectric withstanding voltage		1000	Veff mini
Insulation resistance		1000	MΩ mini

ENVIRONMENTAL

Operating temperature	-65/+165	°C
Hermetic seal	NA	Atm.cm3/s
Panel leakage	IP67	

MECHANICAL CHARACTERISTICS

Center contact retention			
Axial force – Mating End		10	N mini
Axial force – Opposite end		10	N mini
Torque		NA	N.cm mini
Recommended torque			
Mating		NA	N.cm
Panel nut		60	N.cm
Mating life		500	Cycles mini
Weight		2.5300	g

SPECIFICATION

OTHER CHARACTERISTICS

Assembly instruction:

Others:

*** COAXIAL TRANSMISSION LINE ONLY**