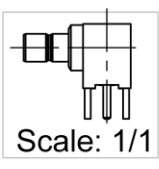
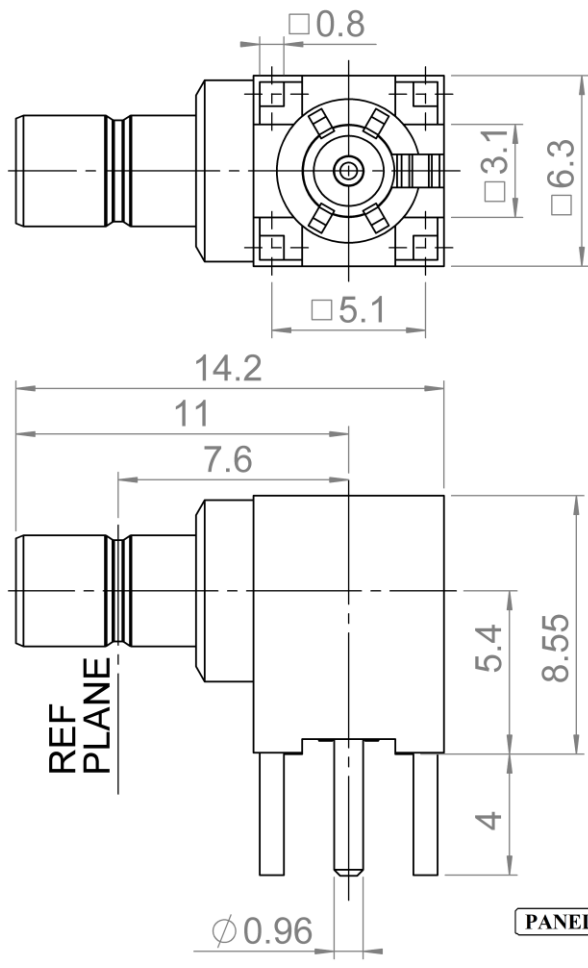
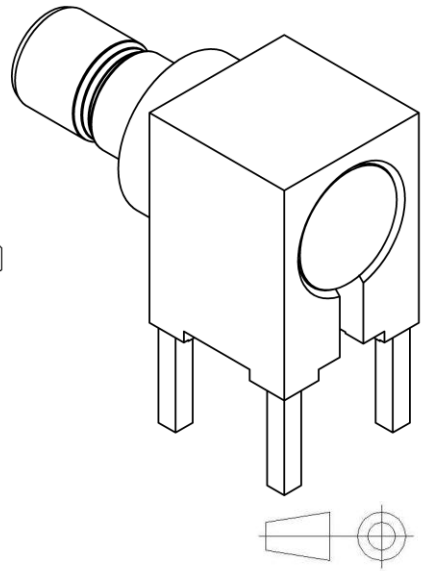


PAGE 1/2	ISSUE 30-06-15B	SERIES SMB	PART NUMBER R114665107
----------	------------------------	-------------------	-------------------------------



PANEL CUT OUT

	mm	
	Maxi	mini
A	1.4	1.3
B	5.16	5.00



All dimensions are in mm.

COMPONENTS	MATERIALS	PLATING (µm)
Body	NON MAGNETIC BRONZE	GOLD OVER COPPER
Center contact	NON MAGNETIC BRONZE	GOLD OVER COPPER
Outer contact	-	-
Insulator	PTFE	-
Gasket	-	-
Others parts	NON MAGNETIC BRONZE	BBR
-	-	-
-	-	-

PAGE 2/2	ISSUE 30-06-15B	SERIES SMB	PART NUMBER R114665107
----------	------------------------	-------------------	-------------------------------

PACKAGING

Standard	Unit	Other
100	Contact us	Contact us

ELECTRICAL CHARACTERISTICS

Impedance		50	Ω
Frequency		0-4	GHz
VSWR	1.20*	+	0.0000 x F(GHz) Maxi
Insertion loss		0.25*	√F(GHz) dB Maxi
RF leakage	- (57	- F(GHz)) dB Maxi
Voltage rating		500	Veff Maxi
Dielectric withstanding voltage		1000	Veff mini
Insulation resistance		1000	MΩ mini

ENVIRONMENTAL

Operating temperature	-65/+165	°C
Hermetic seal	NA	Atm.cm3/s
Panel leakage	NA	

SPECIFICATION

MECHANICAL CHARACTERISTICS

Center contact retention			
Axial force – Mating End	10	N mini	
Axial force – Opposite end	10	N mini	
Torque	NA	N.cm mini	
Recommended torque			
Mating	NA	N.cm	
Panel nut	NA	N.cm	
Mating life	500	Cycles mini	
Weight	2.9540	g	

OTHER CHARACTERISTICS

Assembly instruction:

Others:

*** COAXIAL TRANSMISSION LINE ONLY**
Non magnetic component
Distorsion of the magnetic field
<0.5 ppm at 10mm at Bo=1.5 Tesla