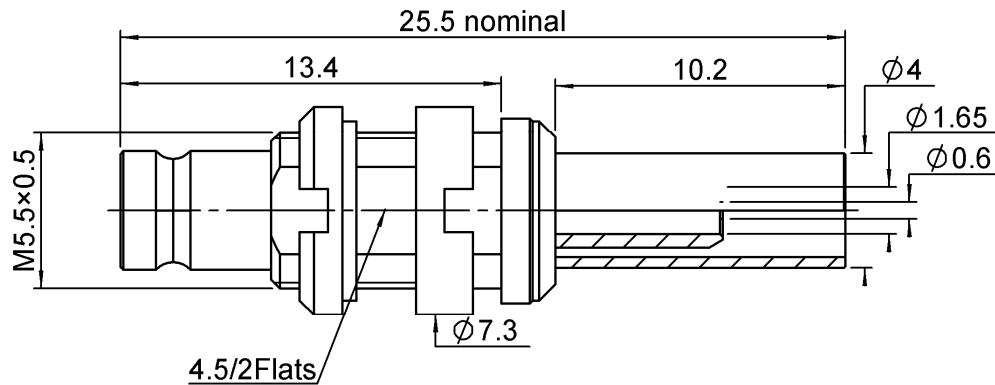


STRAIGHT BULKHEAD JACK(SLIDE ON)

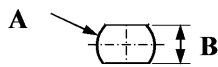
R120A.311.215

FOR CABLE 2.6/50+75

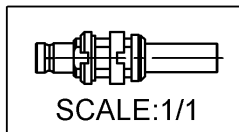
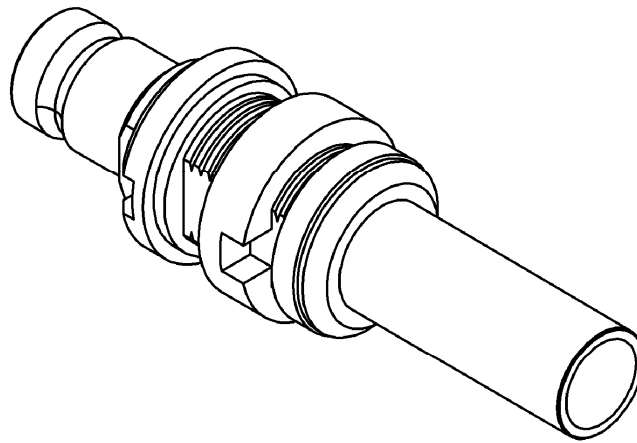
Series : ECO DIN1.0/2.3



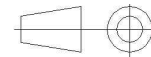
PANEL CUT OUT



	mm	
	Maxi	mini
A	5.7	5.6
B	4.65	4.55



All dimensions are in mm.



COMPONENTS	MATERIALS	PLATING (µm)
BODY	BRASS	GOLD
CENTER CONTACT	BERYLLIUM COPPER	GOLD
OUTER CONTACT		
INSULATOR	PTFE	
GASKET		
OTHERS PARTS	BRASS	NICKEL
-	-	-
-	-	-

Issue : 0908 A

In the effort to improve our products, we reserve the right to make changes judged to be necessary.



STRAIGHT BULKHEAD JACK(SLIDE ON)

R120A.311.215

FOR CABLE 2.6/50+75

Series : ECO DIN1.0/2.3

PACKAGING

Standard	Unit	Other
100	'W' option	Contact us

SPECIFICATION

ELECTRICAL CHARACTERISTICS

Impedance	50(75)	Ω
Frequency	0-4(1)	GHz
VSWR	1.35* + 0.000	x F(GHz) Maxi
Insertion loss	NA	\sqrt{F} (GHz) dB Maxi
RF leakage	- (NA	- F(GHz)) dB Maxi
Voltage rating	350	Veff Maxi
Dielectric withstanding voltage	750	Veff mini
Insulation resistance	5000	M Ω mini

CABLE ASSEMBLY

Stripping	a	b	c	d	e	f
mm	3.00	6.50	12.5	0.00	9.50	0.00

Assembly instruction : **Crimp 01**

Recommended cable(s)

RG 188
RG 316
KX 22A
RG 179
RG 187

Characteristics indicated on this data sheet are those that can be achieved with the highest performance cable. Intrinsic limitations of the cable may diminish the performance of the assembly

Cable retention

- pull off **NA** N mini
- torque **NA** N.cm

MECHANICAL CHARACTERISTICS

Center contact retention		
Axial force – Mating end	10	N mini
Axial force – Opposite end	NA	N mini
Torque	NA	N.cm mini

Recommended torque		
Mating	NA	N.cm
Panel nut	NA	N.cm
Clamp nut	NA	N.cm
A/F clamp nut	0.000	mm

Mating life	100	Cycles mini
Weight	3.200	g

TOOLING

Part Number	Description	Hexagon
R282.211.000	CRIMPING TOOL	3.25

OTHER CHARACTERISTICS

*75 Ω (0-1GHz)

ENVIRONMENTAL

Operating temperature	-40/+85	$^{\circ}$ C
Hermetic seal	NA	Atm.cm3/s
Panel leakage	NA	

Issue : 0908 A

In the effort to improve our products, we reserve the right to make changes judged to be necessary.

