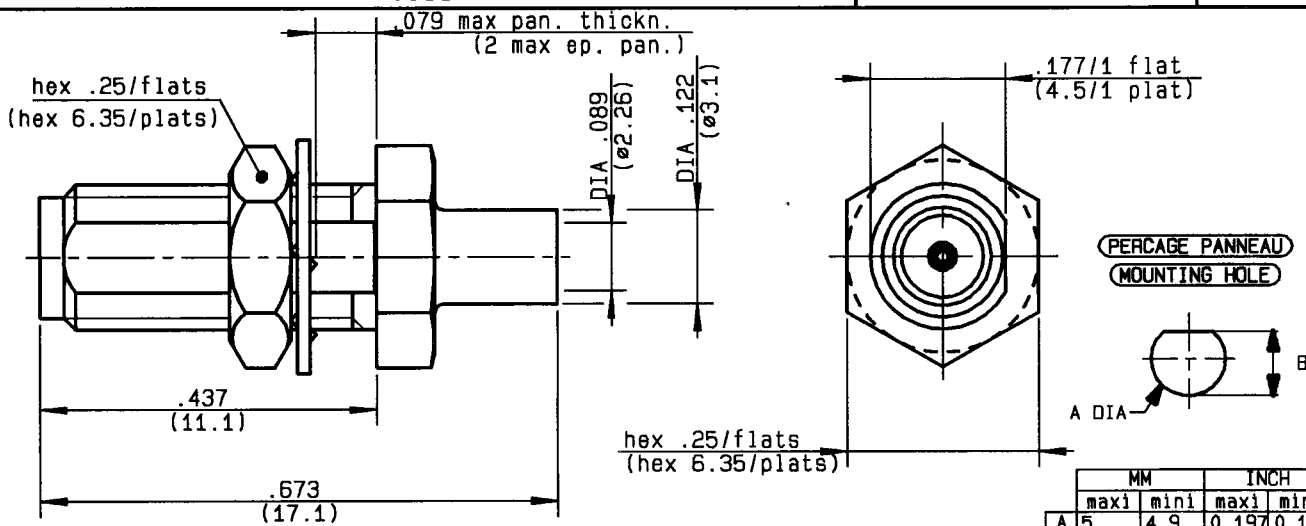


BULKHEAD JACK SOLDER TYPE CABLE
.085

Series : SSMA

1 / 2



CABLES : RG 405

CHARACTERISTICS

NOMINAL IMPEDANCE	50	Ω
FREQUENCY RANGE	0-18	GHz
TEMPERATURE RATING	-55/+105	°C
VSWR	1.07 + .009 x F(GHz)	Maxi
RF INSERTION LOSS	0.04	√F(GHz) dB Maxi
VOLTAGE RATING	250	Vrms Max
DIELECTRIC WITHSTANDING VOLTAGE	750	Vrms min
INSULATION RESISTANCE	5000	MΩ min
HERMETIC SEAL	-	cc/s Atm.cm3/s
LEAKAGE (pressurized only)	-	psi MPa
WEIGHT	0	Oz g

STANDARDISATION

CABLE RETENTION	29.86	lb min
	133	N
CENTER CONTACT RETENTION		
Axial force - mating end	0	lb min
	NA	N
Axial force - opposite end	0	lb min
	NA	N
Torque (Min)	0	Inch.oz
	NA	cm.N
RECOMMENDED TORQUES		
Mating	6.19	inch.lb
	70	cm.N
Panel nut	6.19	inch.lb
	70	cm.N
Clamp nut	0	inch.lb
	-	cm.N

CONSTRUCTION

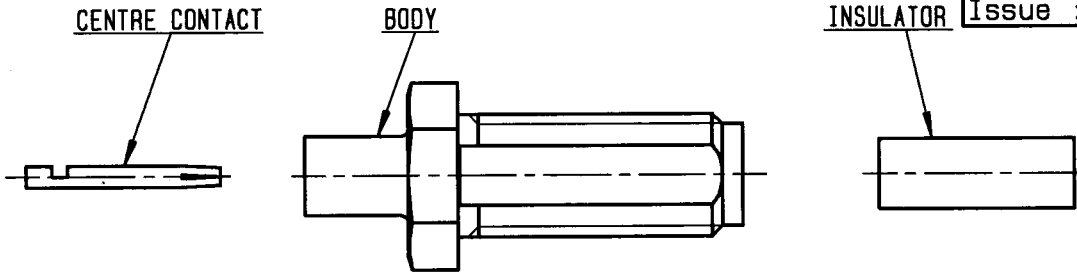
CONNECTOR PARTS	MATERIALS	FINISH
BODY	BERYLLIUM COPPER	GOLD OVER COPPER
OUTER CONTACT	-	-
CENTER CONTACT	BERYLLIUM COPPER	GOLD OVER NICKEL
INSULATOR	PTFE	-
NUT	BRASS	GOLD OVER NICKEL
WASHER	BRONZE PHOSPHOR	GOLD OVER NICKEL
-	-	-
-	-	-
-	-	-

ISSUE	REVISION No	DESCRIPTION	BY	DATE
-	-	-	-	-
-	-	-	-	-
-	-	-	-	-
-	-	-	-	-

Initiated on 25/07/94

The information given here is subject to change without notice. Design changes may be in order to improve the product.

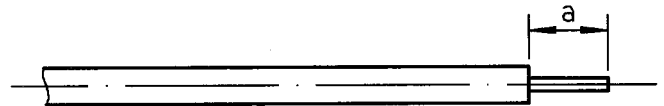
Approval by MEYNIER



We recommend a cable thermal preconditioning before assembly.

①

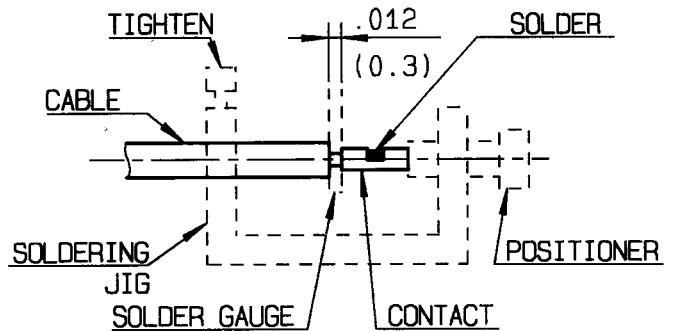
Take the tool kit : R 282 118.
Strip the dielectric of the cable .
Stripping tool cable : R 282 051 000.
Trimmer : R 282 062 000.
Clean the cable .
-



Stripping	a	b	c	d	e
inch	.07	-	0	0	0
mm	1.78	-	-	-	-

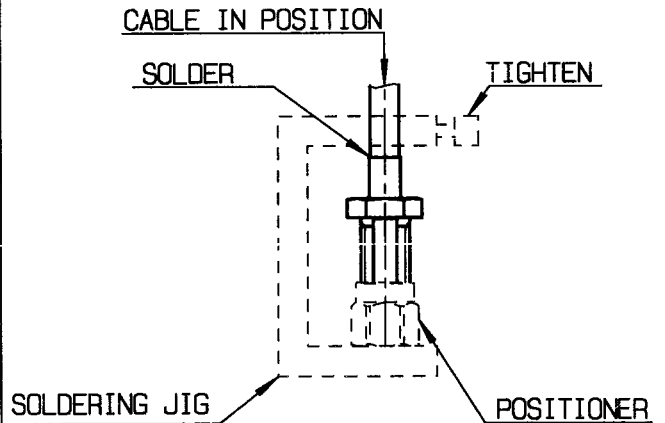
②

Slide the positioner onto the soldering jig.
Slide contact into the positioner.
Insert solder gauge item 60 between contact and cable .
Tighten and solder the contact .



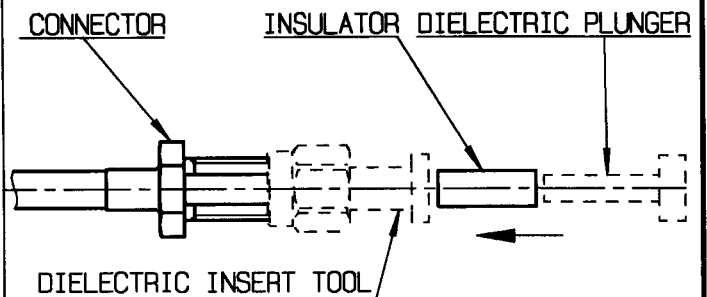
③

After cooling remove cable assembly from the jig .
Screw positioner item 70 into the connector .
Slide cable into the connector until it bottoms against positioner .
Tighten .
Put 3 rings of solder around the cable and solder .
-
-



④

After cooling remove cable assembly from the jig .
Cut the dielectric flush to clamp braid sleeve .
Screw the dielectric insert tool 31 onto connector and insert insulator with the dielectric plunger item 32.



112 9211