



RADIALL
Département COAXIAL

NOTICE TECHNIQUE
TECHNICAL DATA

101. Rue Philibert Hoffmann
Zone Industrielle Ouest
93116 - ROSNY-SOUS-BOIS
Téléphone : 854-80-40

TITRE

PR. DR. ECR. SOUD.
CAB. .085

TITLE

BULKHEAD STRAIGHT JACK,
SOLDER TYPE
CAB. .085

R121.316.000

Série SUBRIM

NORMALISATION

IEC : _____
CECC : _____

SPECIFICATIONS

MIL : _____


CABLES .085

CABLES

CARACTERISTIQUES

Impéd. caract. : 50 ohms : *Nominal imp.*
Fréq. d'utilisat. : 0 - 18 GHz : *Freq. range*
Vérif. impédance : : *Imped. test*
Tension tenue : 750 V eff. : *Proof. voltage*

PROPERTIES

Catégorie climatique : -65/+125° C *Climatic range*
Mouvement : {  } *In. cont. motion*

CONSTRUCTION

Finition corps : Ni
Finition cont. cent. : Au

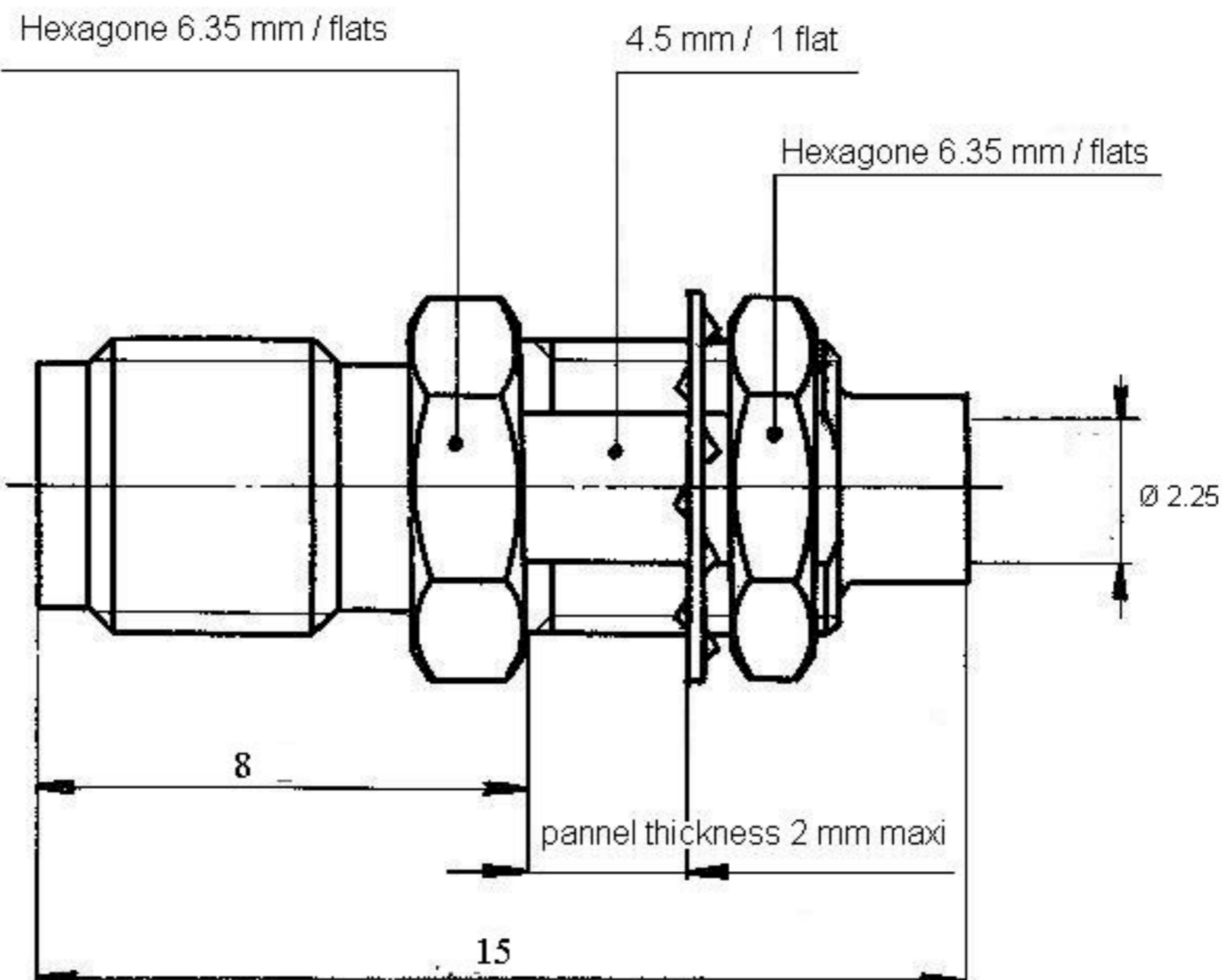
Body finish : Ni
Inner contact finish : Au

Partie métallique : Inox
Partie métal. élast. : Bronze

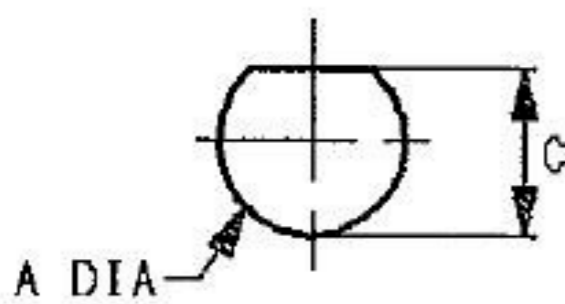
metallic parts : Stainless steel
metallic resilient parts : Bronze

Isolant : PTFE
Joint :

Insulator : PTFE
Gasket :



MOUNTING HOLE



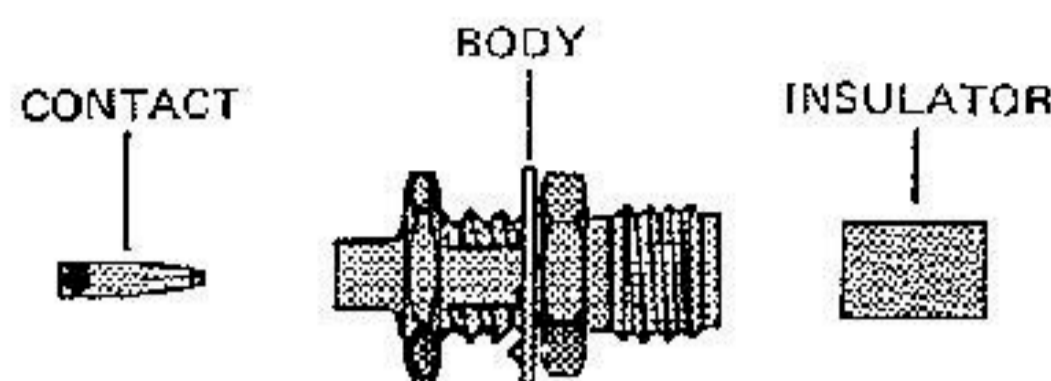
| | MM | | INCH | |
|---|------|------|------|------|
| | mini | maxi | mini | maxi |
| A | 4.9 | 5 | .193 | .197 |
| C | 4.6 | 4.75 | .181 | .187 |

Dimensions en mm

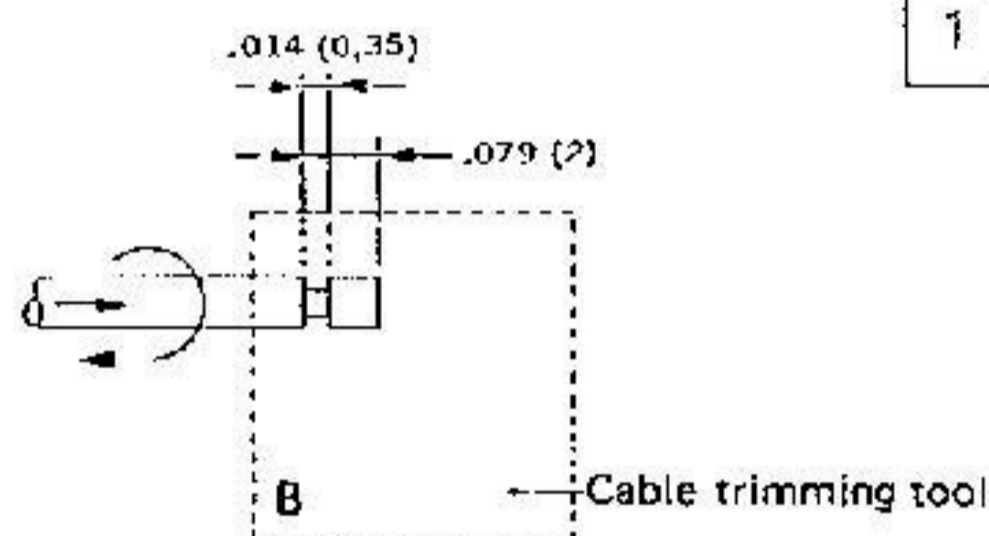
| DOSSIER D'ETUDE | Dessiné | Vérifié | MODIFICATIONS | | | |
|-----------------|--------------|----------|---------------|--------|--|--|
| | 80-102-002/1 | Guérin | PÉRIÉ | VACHON | | |
| | DATE | 01-07-80 | 16-07-80 | 0743 | | |
| | VISA | | | | | |

Ces renseignements sont donnés à titre indicatif. Dans le but constant d'améliorer nos produits, nous nous réservons le droit d'apporter toute modification jugée utile.

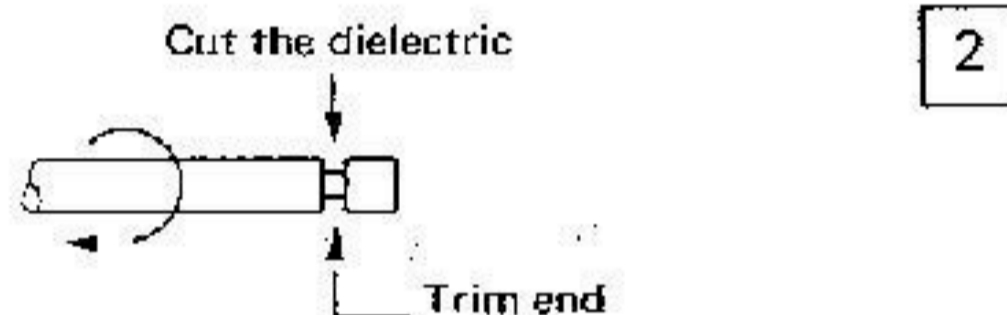
| CONNECTOR | TOOLING | |
|-----------|------------------------|------|
| R 121 316 | Tool kit R 282 118 | Item |
| | cable trimming tool | 21 |
| | assembly jig | 10 |
| | spacer | 60 |
| | positioner | 70 |
| | dielectric insert tool | 31 |
| | dielectric plunger | 32 |



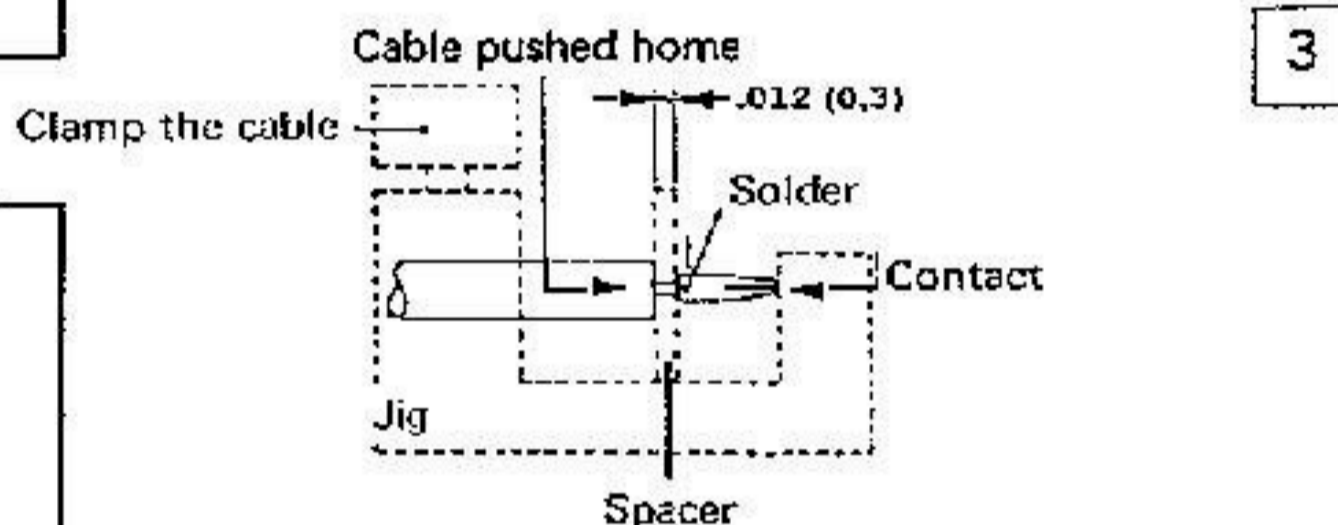
- 1-1 Insert the cable into end B of the cable trimming tool
- 1-2 Saw through cable outer and into dielectric whilst turning the cable



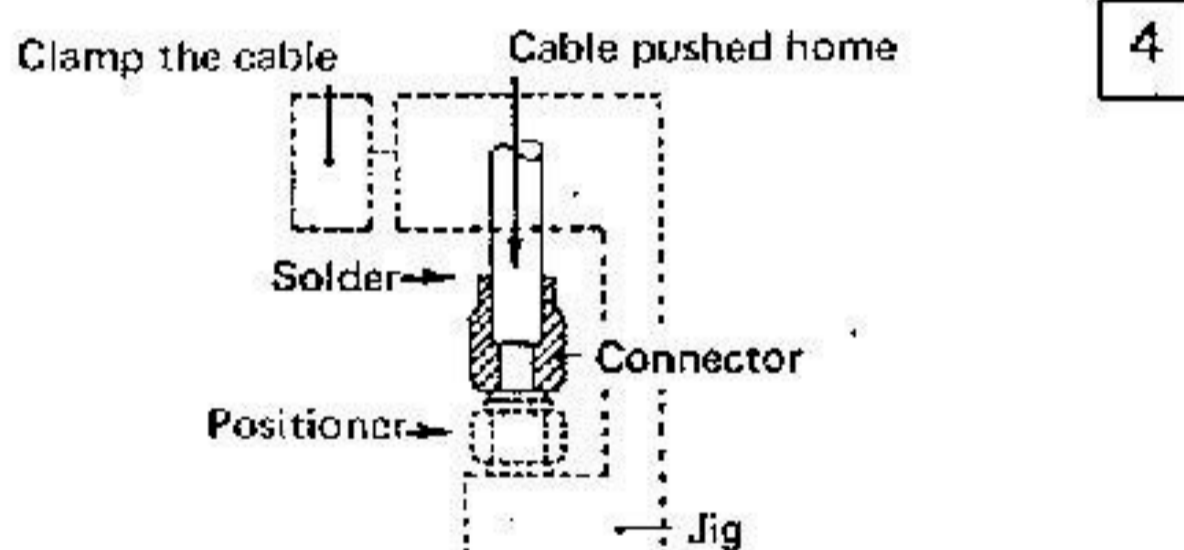
- 2-1 Cut through the dielectric and bare inner conductor
- 2-2 Trim the end of the cable
- 2-3 Inspect cable and clean free from all chips, foreign matter etc.



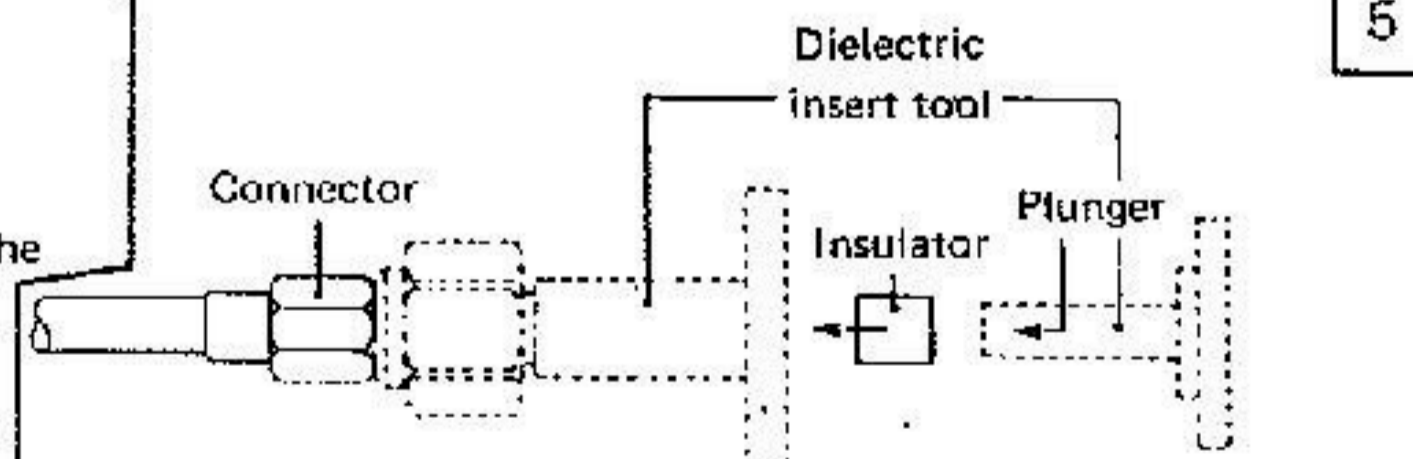
- 3-1 Place the cable into the assembly jig
- 3-2 Position the contact and spacer as shown
- 3-3 Solder the contact



- 4-1 After the sub-assembly has cooled, remove it from the jig
- 4-2 Screw the body and positioner together
Place cable into the body until the contact bottoms with the positioner and clamp the cable
- 4-4 Put 3 rings of solder around the cable and solder the body onto the semi-rigid



- 5-1 After the sub-assembly has cooled, remove it from the jig
- 5-2 Screw the dielectric insert tool into the body and insert the insulator with the plunger



| ISSUE | REVISION No | DESCRIPTION | BY | DATE |
|-------|-------------|-------------|----|------|
| . | . | . | . | . |
| . | . | . | . | . |
| . | . | . | . | . |
| . | . | . | . | . |

dated on 8 - 10 - 92

The information given here is subject to change without notice. Design changes may be made in order to improve the product.



superseded on