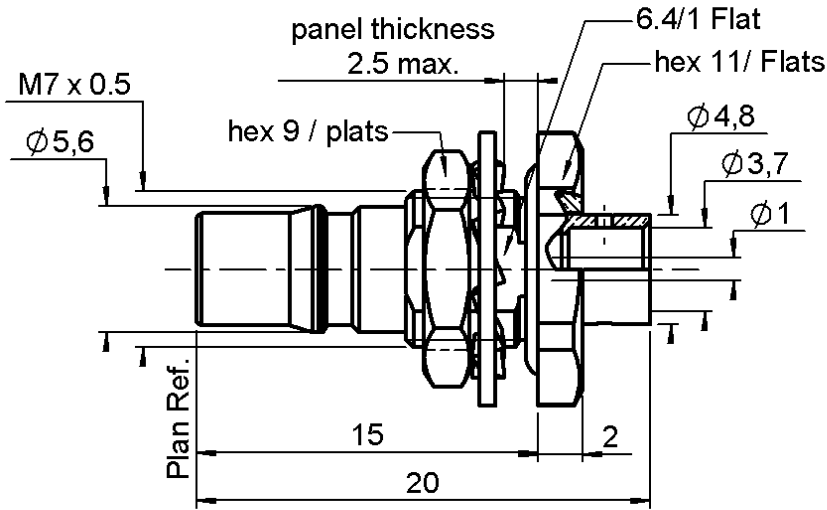


STRAIGHT BULKHEAD JACK SOLDER TYPE

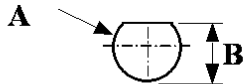
R123.305.023

PANEL SEALED CABLE .141

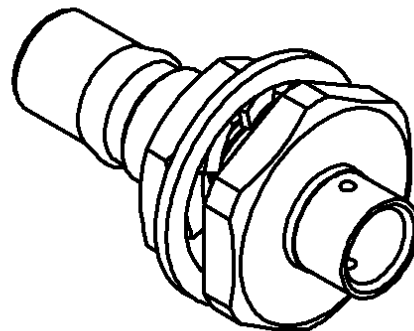
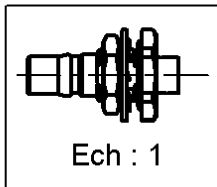
Series : QMA



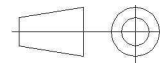
PANEL CUT OUT



	mm	
	Maxi	mini
A	7.3	7.2
B	6.65	6.5



All dimensions are in mm.



COMPONENTS	MATERIALS	PLATINGS (µm)
BODY	BRASS	GOLD 0.8 OVER COPPER 0.5
CENTER CONTACT	BERYLLIUM COPPER	GOLD 1.3 OVER COPPER 2.5
OUTER CONTACT	-	-
INSULATOR	PTFE	-
GASKET	SILICONE RUBBER	-
OTHERS PARTS	-	-
-	-	-
-	-	-

Issue : 0923 B

In the effort to improve our products, we reserve the right to make changes judged to be necessary.



STRAIGHT BULKHEAD JACK SOLDER TYPE

R123.305.023

PANEL SEALED CABLE .141

Series : QMA

PACKAGING

Standard	Unit	Other
100	'W' option	Contact us

SPECIFICATION

700-25242-0001

ELECTRICAL CHARACTERISTICS

Impedance	50	Ω
Frequency	0-6	GHz
VSWR	1.15 + 0,0150	x F(GHz) Maxi
Insertion loss	0.05	\sqrt{F} (GHz) dB Maxi
RF leakage	- (***80)	- F(GHz)) dB Maxi
Voltage rating	335	Veff Maxi
Dielectric withstanding voltage	1000	Veff mini
Insulation resistance	5000	M Ω mini

CABLE ASSEMBLY

Stripping	a	b	c	d	e	f
mm	4,50	0,00	0,00	0,00	0,00	0,00

Assembly instruction :

Recommended cable(s)
 RG 402
 KS 2
 BELN 1673A
 HC80000-3
 BELN YQ43858

Characteristics indicated on this data sheet are those that can be achieved with the highest performance cable. Intrinsic limitations of the cable may diminish the performance of the assembly

Cable retention

- pull off	270	N mini
- torque	NA	N.cm

MECHANICAL CHARACTERISTICS

Center contact retention		
Axial force – Mating end	NA	N mini
Axial force – Opposite end	NA	N mini
Torque	NA	N.cm mini

TOOLING

Part Number	Description	Hexagon
R282.053.000	STRIPPING TOOL	
R282.066.010	POINTER GAUGE	
R282.740.000	SOLDERING MOUNTING	
R282.744.220	SOLDERING POSITIONER (CENTER CONTACT)	
R282.862.070	CONTROL GAUGE	
R282.862.090	CONTROL GAUGE	

Recommended torque		
Mating	NA	N.cm
Panel nut	160	N.cm
Clamp nut	NA	N.cm
A/F clamp nut	0,0000	mm

Mating life	100	Cycles mini
Weight	4,4500	g

ENVIRONMENTAL

Operating temperature	-40/+105	$^{\circ}$ C
Hermetic seal	NA	Atm.cm3/s
Panel leakage	IP67	

OTHERS CHARACTERISTICS

**Intermod.: -120dBc at 1.8GHz (2x20w)
 ***RF Leakage interf.only:3<F<6GHz:>70dB

Issue : 0923 B

In the effort to improve our products, we reserve the right to make changes judged to be necessary.

