

STRAIGHT FLANGE RECEPTACLE

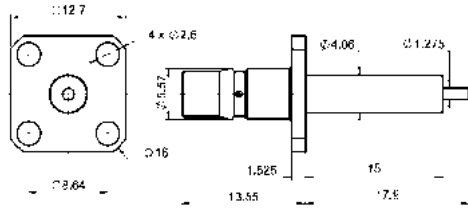


Fig. 1

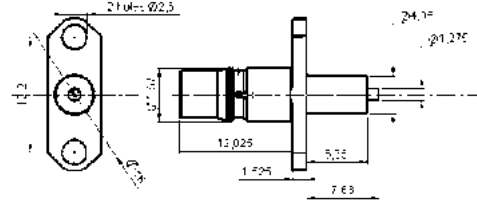
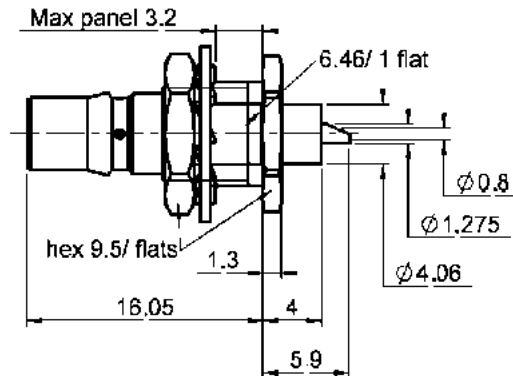


Fig. 2

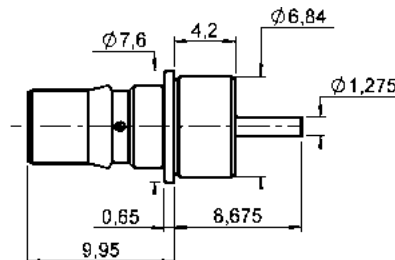
part number	Fig.	captive center contact	cut out	finish
R123 415 000	1	yes	P01	BBR
R123 464 030	2	yes	P04	BBR

STRAIGHT BULKHEAD RECEPTACLE



part number	captive center contact	cut out	finish
R123 553 000	yes	P02	BBR

PRESS MOUNT RECEPTACLE



part number	captive center contact	cut out	finish
R123 590 027	yes	P05	GBR

Packaging: 100 pcs. For unit packaging, add "W" after the P/N.