

### STRAIGHT FLANGE RECEPTACLE

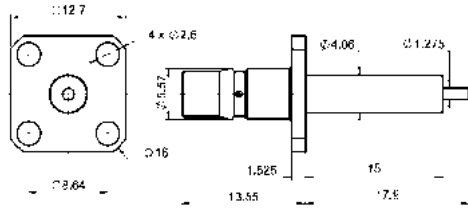


Fig. 1

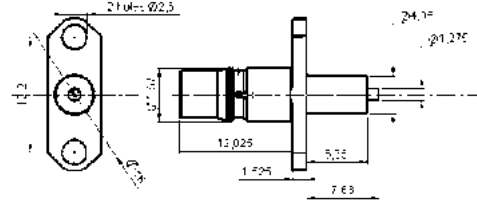
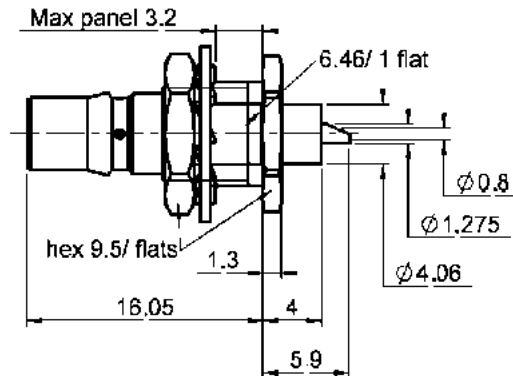


Fig. 2

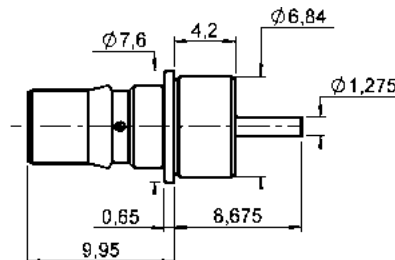
part number	Fig.	captive center contact	cut out	finish
R123 415 000	1	yes	P01	BBR
R123 464 030	2	yes	P04	BBR

### STRAIGHT BULKHEAD RECEPTACLE



part number	captive center contact	cut out	finish
R123 553 000	yes	P02	BBR

### PRESS MOUNT RECEPTACLE



part number	captive center contact	cut out	finish
R123 590 027	yes	P05	GBR

Packaging: 100 pcs. For unit packaging, add "W" after the P/N.