

### STRAIGHT PCB RECEPTACLES

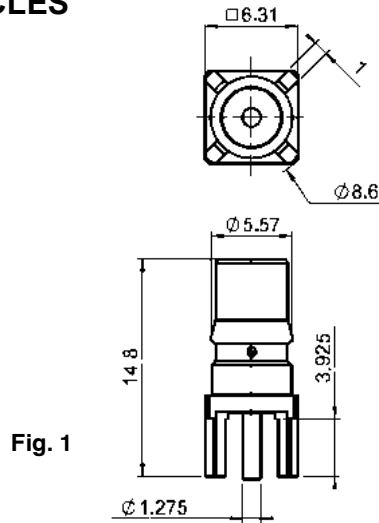


Fig. 1

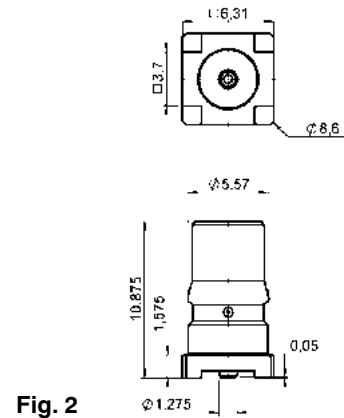


Fig. 2

part number	fig.	captive center contact	finish	assembly	PCB cut out	packaging	note
R123 426 003	1	yes	GBR		P03	100	
R123 426 003W	1	yes	GBR		P03	1	
R123 427 803	2	yes	GBR	M04		100 / reel	SMT
R123 427 803W	2	yes	GBR	M04		1	SMT
R123 427 823	2	yes	GBR	M04		300 / reel	SMT

### RIGHT ANGLE PCB RECEPTACLES

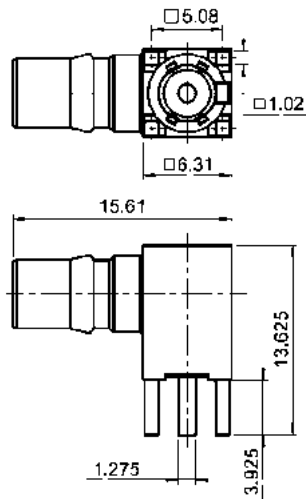


Fig. 1

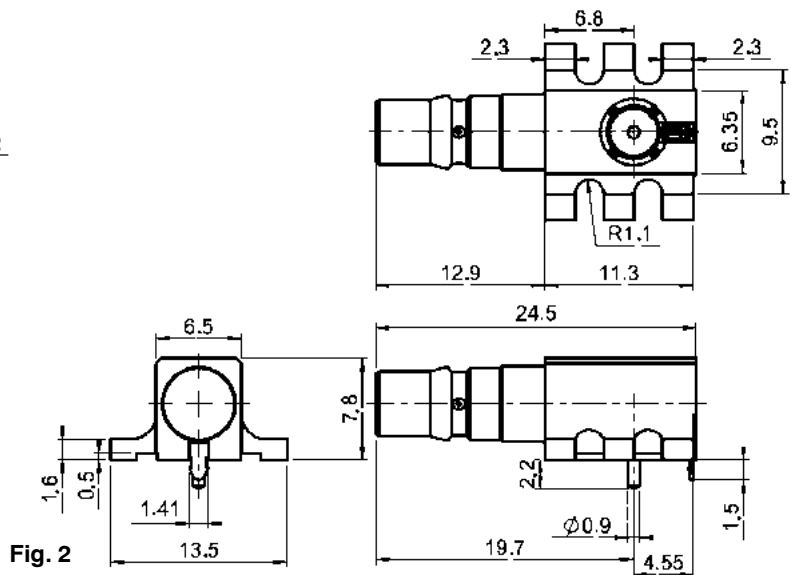


Fig. 2

part number	fig.	captive center contact	finish	assembly	PCB cut out	packaging	note
R123 680 003	1	yes	GBR		P03	100	
R123 680 003W	1	yes	GBR		P03	1	
R123 682 817	2	yes	GBR	M04		250 reel	SMT
R123 682 827	2	yes	GBR	M04		100 / reel	SMT
R123 682 827W	2	yes	GBR	M04		1	SMT