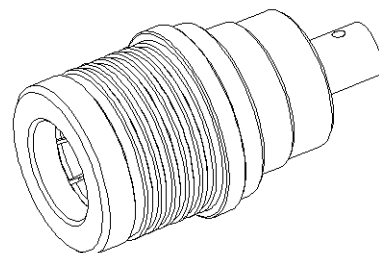
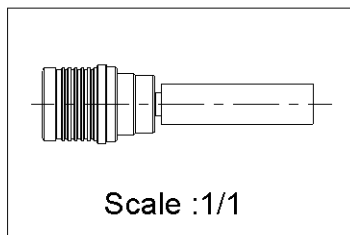
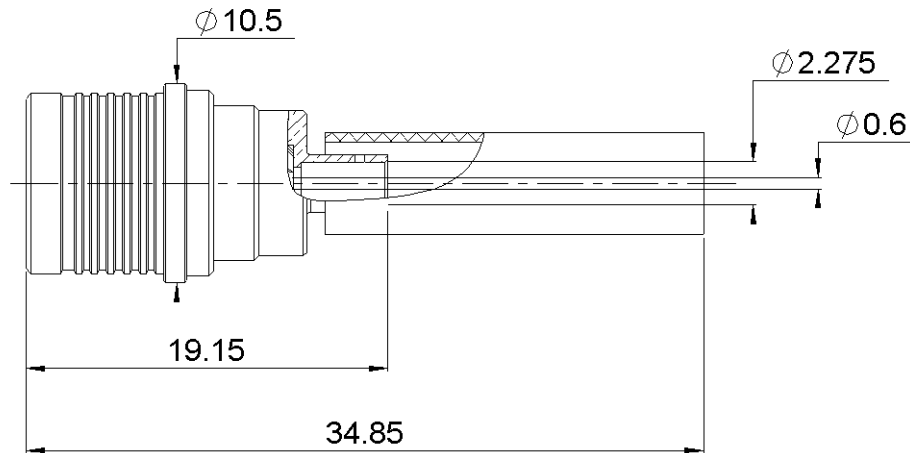
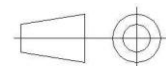


PAGE 1/4	ISSUE 15-05-15C	SERIES WQMA	PART NUMBER R123W054000
----------	-----------------	-------------	-------------------------



All dimensions are in mm.



COMPONENTS	MATERIALS	PLATING (μm)
Body	BRASS	BBR BRASABLE
Center contact	BRASS	NPGR
Outer contact	BRONZE	BBR
Insulator	PTFE	
Gasket	SILICONE RUBBER	
Others parts	BRASS	BBR
-	-	-
-	-	-

PAGE 2/4	ISSUE 15-05-15C	SERIES WQMA	PART NUMBER R123W054000
-----------------	------------------------	--------------------	--------------------------------

PACKAGING

Standard	Unit	Other
100	Contact us	Contact us

ELECTRICAL CHARACTERISTICS

Impedance	50	Ω
Frequency	0-6	GHz
VSWR	1.02 + 0.0200	x F(GHz) Maxi
Insertion loss	0.05	\sqrt{F} (GHz) dB Maxi
RF leakage	- (***80)	- F(GHz)) dB Maxi
Voltage rating	335	Veff Maxi
Dielectric withstanding voltage	750	Veff mini
Insulation resistance	5000	M Ω mini

MECHANICAL CHARACTERISTICS

Center contact retention		
Axial force – Mating End	NA	N mini
Axial force – Opposite end	NA	N mini
Torque	NA	N.cm mini
Recommended torque		
Mating	NA	N.cm
Panel nut	NA	N.cm
Clamp nut	NA	N.cm
A/F clamp nut	0.0000	mm
Mating life	100	Cycles mini
Weight	5.0800	g

ENVIRONMENTAL

Operating temperature	-40/+105	$^{\circ}\text{C}$
Hermetic seal	NA	Atm.cm3/s
Panel leakage	NA	

SPECIFICATION

CABLE ASSEMBLY

Stripping	a	b	c	d	e	f
mm	3.17	0	0	0	0	0
mm	3.17	0	10*	0	0	0

* for jacketed cable

Assembly instruction:
Recommended cable(s)

HC60000-3
RG 405
KS 1
ALL RG405 HAND FORMABLE JACKETED

Characteristics indicated on this data sheet are those that can be achieved with the highest performance cable. Intrinsic limitations of the cable may diminish the performance of the assembly

Cable retention

- pull off	130	N mini
- torque	NA	N.cm

TOOLING

Part Number	Description	Hexagon
R282051000	STRIPPING TOOL	
R282063000	POINTER GAUGE	
R282740000	SOLDERING MOUNTING	
R282744220	SOLDERING POSITIONER(CENTER CONTACT)	
R282862090	SOLDER GAUGE THICKNESS 0.0276	

OTHER CHARACTERISTICS

- *Interface ingress protection: **IP68 (IEC60529) mated condition**
- **Intermod.: **-120dBc at 1.8GHz (2 x 20W)**
- ***RF leakage(interface) **3<F<6GHz:>70dB**

PAGE 3/4	ISSUE 15-05-15C	SERIES WQMA	PART NUMBER R123W054000
----------	-----------------	-------------	-------------------------

POWER DERATING

