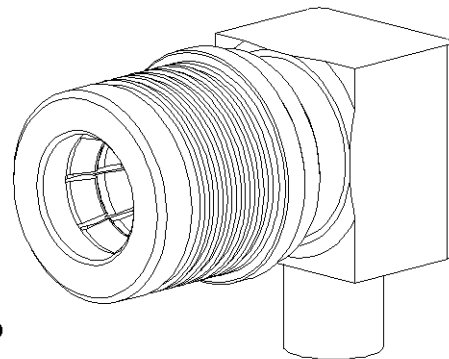
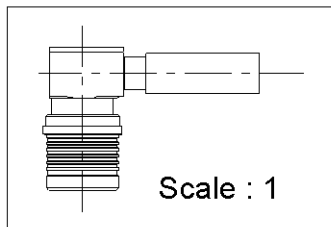
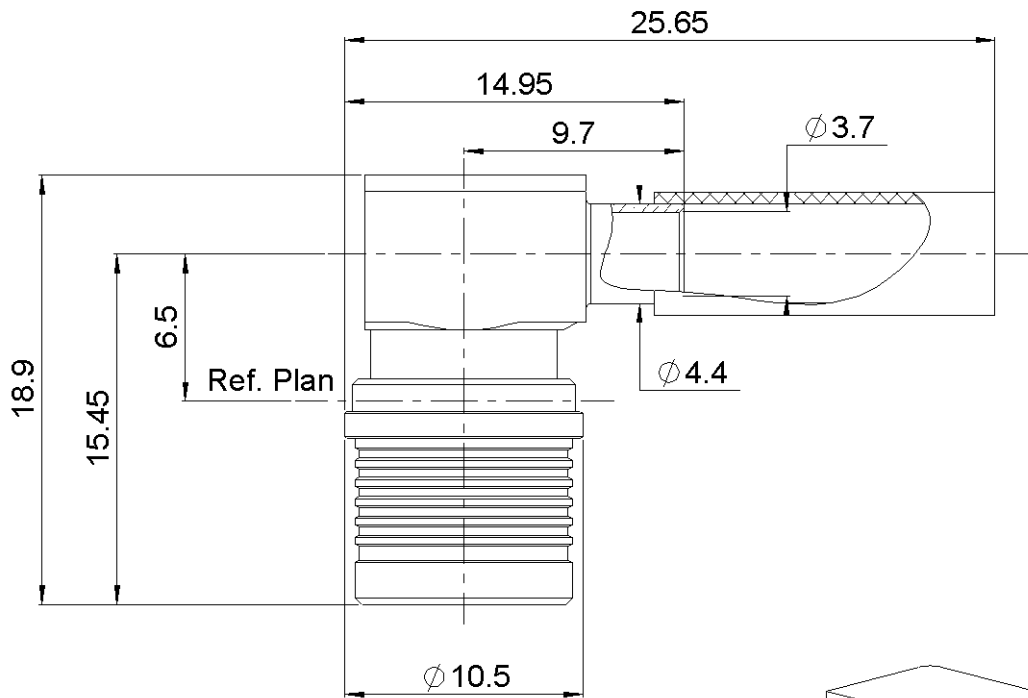
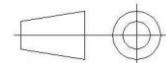


PAGE 1/4	ISSUE 15-05-15D	SERIES WQMA	PART NUMBER R123W154000
----------	-----------------	-------------	-------------------------



All dimensions are in mm.



COMPONENTS	MATERIALS	PLATING (µm)
Body	BRASS	BBR
Center contact	BRASS	NPGR
Outer contact	BRONZE	BBR
Insulator	PTFE	
Gasket	SILICONE RUBBER	
Others parts	BRASS	BBR
-	-	-
-	-	-

PAGE 2/4	ISSUE 15-05-15D	SERIES WQMA	PART NUMBER R123W154000
----------	-----------------	-------------	-------------------------

PACKAGING

Standard	Unit	Other
100	Contact us	Contact us

ELECTRICAL CHARACTERISTICS

Impedance		50	Ω
Frequency		0-6	GHz
VSWR	1.02 + 0.0200		x F(GHz) Maxi
Insertion loss		0.05	√F(GHz) dB Maxi
RF leakage	- (***80	- F(GHz)) dB Maxi
Voltage rating		335	Veff Maxi
Dielectric withstanding voltage		1000	Veff mini
Insulation resistance		5000	MΩ mini

MECHANICAL CHARACTERISTICS

Center contact retention			
Axial force – Mating End		18	N mini
Axial force – Opposite end		27	N mini
Torque		NA	N.cm mini
Recommended torque			
Mating		NA	N.cm
Panel nut		NA	N.cm
Clamp nut		NA	N.cm
A/F clamp nut		0.0000	mm
Mating life	100		Cycles mini
Weight	8.0900		g

ENVIRONMENTAL

Operating temperature	-40/+105	°C
Hermetic seal	NA	Atm.cm3/s
Panel leakage	NA	

SPECIFICATION

CABLE ASSEMBLY

Stripping	a	b	c	d	e	f
mm	3.17	0	0	0	0	0
mm	3.17	0	14*	0	0	0

* for jacketed cable

Assembly instruction: **NA**

Recommended cable(s)

RG 402

KS 2

CONF FIL2PA373

Characteristics indicated on this data sheet are those that can be achieved with the highest performance cable. Intrinsic limitations of the cable may diminish the performance of the assembly

Cable retention

- pull off	270	N mini
- torque	NA	N.cm

TOOLING

Part Number	Description	Hexagon
R282053000	STRIPPING TOOL	
R282067000	POINTER GAUGE	
R282740000	SOLDERING MOUNTING	
R282744240	SOLDERING POSITIONER	
R282761000	ASSEMBLY FIXTURE FOR	WQMA END CAP

OTHER CHARACTERISTICS

***Interface ingress protection: IP68 (IEC60529) mated condition**

****Intermod.: -120dBc at 1.8GHz (2 x 20W)**

*****RF leakage(interface) 3<F<6GHz: >70dB**

PAGE 3/4	ISSUE 15-05-15D	SERIES WQMA	PART NUMBER R123W154000
----------	-----------------	-------------	-------------------------

POWER DERATING

