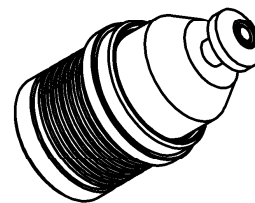
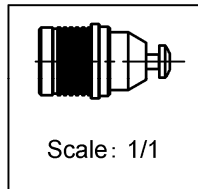
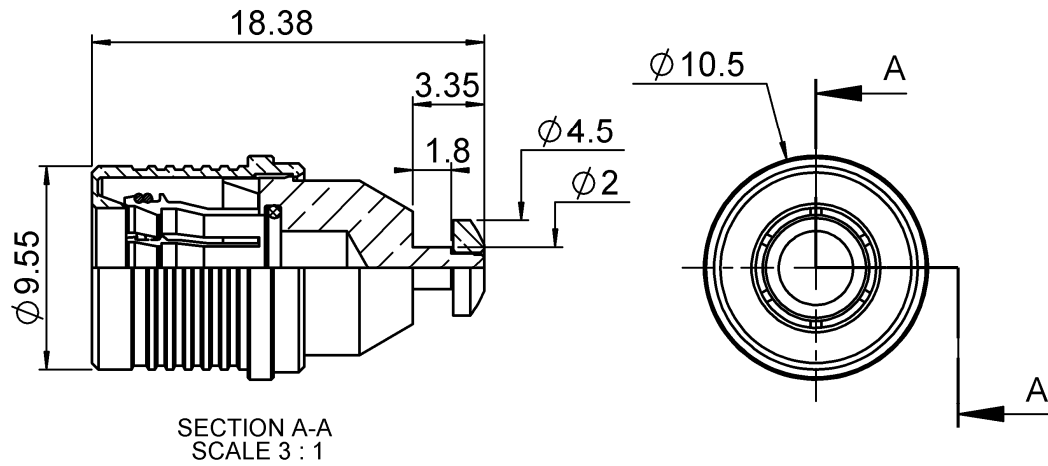
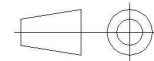


PAGE 1/2	ISSUE 1412B	SERIES WQMA	PART NUMBER R123W805710
----------	-------------	-------------	-------------------------



All dimensions are in mm.



COMPONENTS	MATERIALS	PLATING (µm)
Body	<b>BRASS</b>	<b>BBR</b>
Center contact		
Outer contact	<b>BRASS</b>	<b>BBR</b>
Insulator		
Gasket	<b>SILICONE RUBBER</b>	
Others parts	<b>BRASS</b>	<b>BBR</b>
-	-	-
-	-	-

PAGE 2/2

ISSUE **1412B**

SERIES **WQMA**

PART NUMBER **R123W805710**

**PACKAGING**

Standard	Unit	Other
<b>100</b>	<b>Contact us</b>	<b>Contact us</b>

**ELECTRICAL CHARACTERISTICS**

Impedance		<b>NA</b>	Ω
Frequency		<b>NA</b>	GHz
VSWR	<b>NA</b> +	<b>0.000</b>	x F(GHz) Maxi
Insertion loss		<b>NA</b>	√F(GHz) dB Maxi
RF leakage	- (	<b>NA</b>	- F(GHz)) dB Maxi
Voltage rating		<b>NA</b>	Veff Maxi
Dielectric withstanding voltage		<b>NA</b>	Veff mini
Insulation resistance		<b>NA</b>	MΩ mini

**MECHANICAL CHARACTERISTICS**

Center contact retention			
Axial force – Mating End		<b>NA</b>	N mini
Axial force – Opposite end		<b>NA</b>	N mini
Torque		<b>NA</b>	N.cm mini
Recommended torque			
Mating		<b>NA</b>	N.cm
Panel nut		<b>NA</b>	N.cm
Mating life		<b>100</b>	Cycles mini
Weight		<b>4.470</b>	g

**ENVIRONMENTAL**

Operating temperature	<b>-40/+105</b>	°C
Hermetic seal	<b>NA</b>	Atm.cm3/s
Panel leakage	<b>NA</b>	

**SPECIFICATION**

**OTHER CHARACTERISTICS**

Assembly instruction:

Others:

**Interface ingress protection  
IP68 (IEC 60529) mated condition**