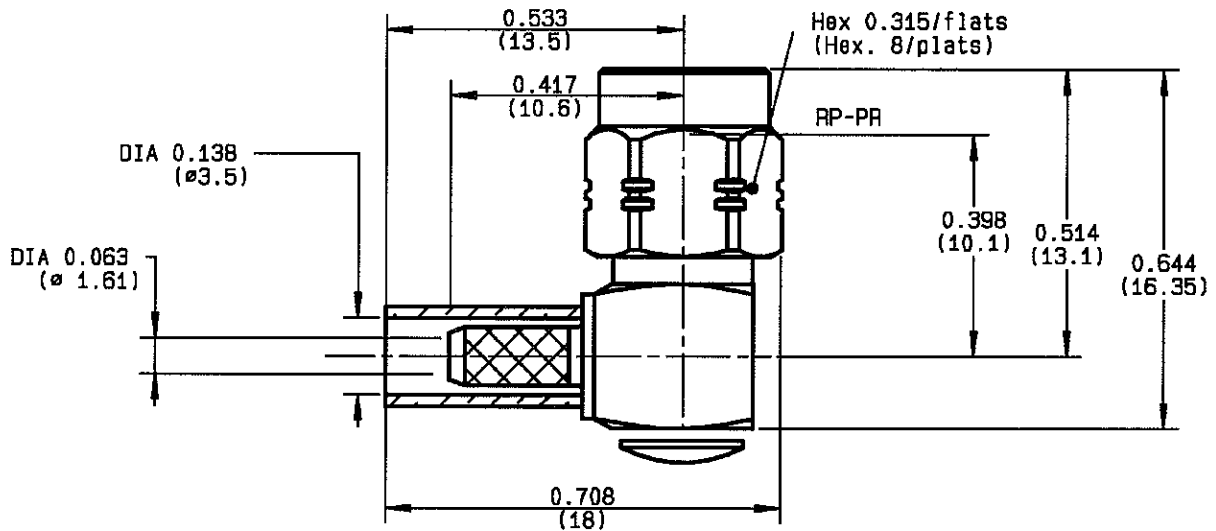


**RIGHT ANGLE PLUG CRIMP TYPE
CABLE 2.6/50 D**

R124.174.120
SERIES SMA-COM



NOMINAL IMPEDANCE	50 Ω	CABLES : K02252D
FREQUENCY RANGE	0-12.4 GHz	RD 316
TEMPERATURE RATING	-65/+165 °C	
V.S.W.R	1.15 + .03 x F(GHz)Maxi	
RF INSERTION LOSS	0.05 √F(GHz) dB Maxi	
VOLTAGE RATING	250 Veff Maxi	
DIELECTRIC WITHSTANDING VOLTAGE	750 Veff Mini	
INSULATION RESISTANCE	5000 MΩMini	OTHERS CHARACTERISTICS
HERMETIC SEAL	NA Atm.cm ³ /s	CABLE RETENTION 110 N Mini
LEAKAGE (pressurized only)	NA	CENTER CONTACT RETENTION
MECHANICAL DURABILITY	100 Cycles	Axial force - mating end 27 N Mini
WEIGHT	5.14 gr	Axial force - opposite end 27 N Mini
SPECIFICATION		Torque NA cm.N Mini
		RECOMMENDED TORQUES
		Mating 60 cm.N
		Panel nut NA cm.N
		Clamp nut NA cm.N

CONNECTOR PARTS	MATERIALS	FINISH	(all values are given in micrometers)
BODY	BRASS	BBR 2	
OUTER CONTACT			
CENTER CONTACT	BRASS	GOLD 1.3 OVER COPPER 2.5	
INSULATOR	PTFE	-	
GASKET		-	
OTHERS PIECES	BRASS	BBR 2	

ISSUE
0708E

CREATION DATE
30/09/1993

FILE PART-NUMBER
EPC 97-03



RADIALL®

TRIGUES

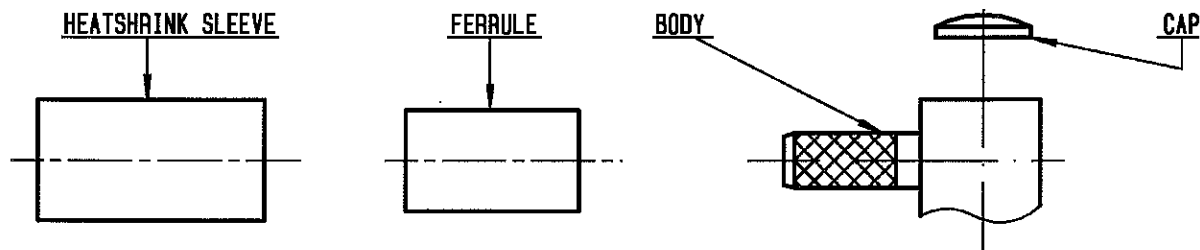
The information given here is subject to change without notice.
Design changes may be in order to improve the product.

Connect to the future



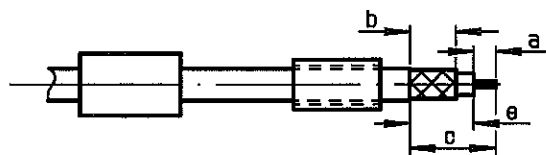
R124.174.120

ISSUE **0708E** SERIES **SMA-COM**



①

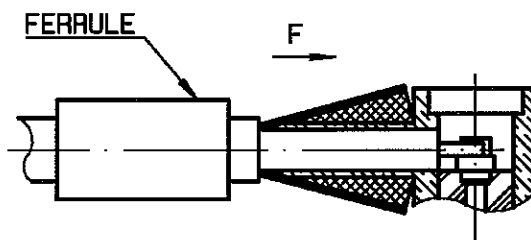
Slide heatshrink sleeve (R280.637.020 - Option) and the ferrule onto cable .
Strip the cable .



Stripping	a	b	c	d	e
inch	0.079	0.256	0.472	0	0.394
mm	2	6.5	12		10

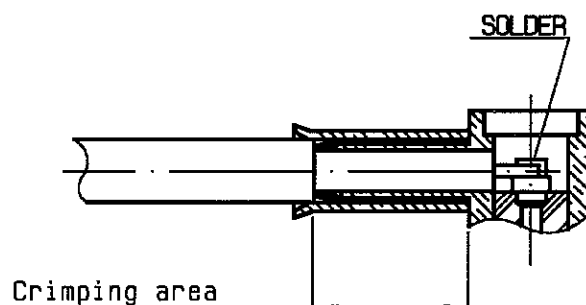
②

Fan the braid .
Push connector body under the braid .
Slide ferrule over braid
(in direction F)



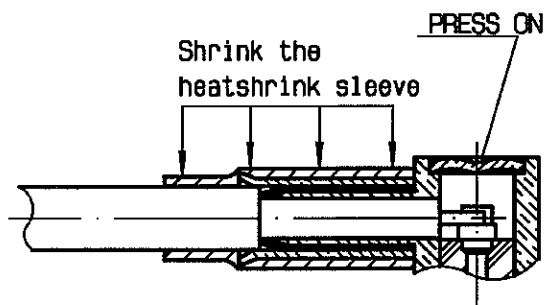
③

Crimp the ferrule with crimping tool R282 271 000 (Hex. : 0.151) or crimping tool R 282 293 000 (M22520/5-01) + dies R 282 235 037 (M22520/5-37)
Solder inner conductor .



④

Place the cap into body .
Press cap flush or slightly below surface of body assembly .
Slide sleeve over ferrule and heatshrink in place (Option) .



TRIQUES