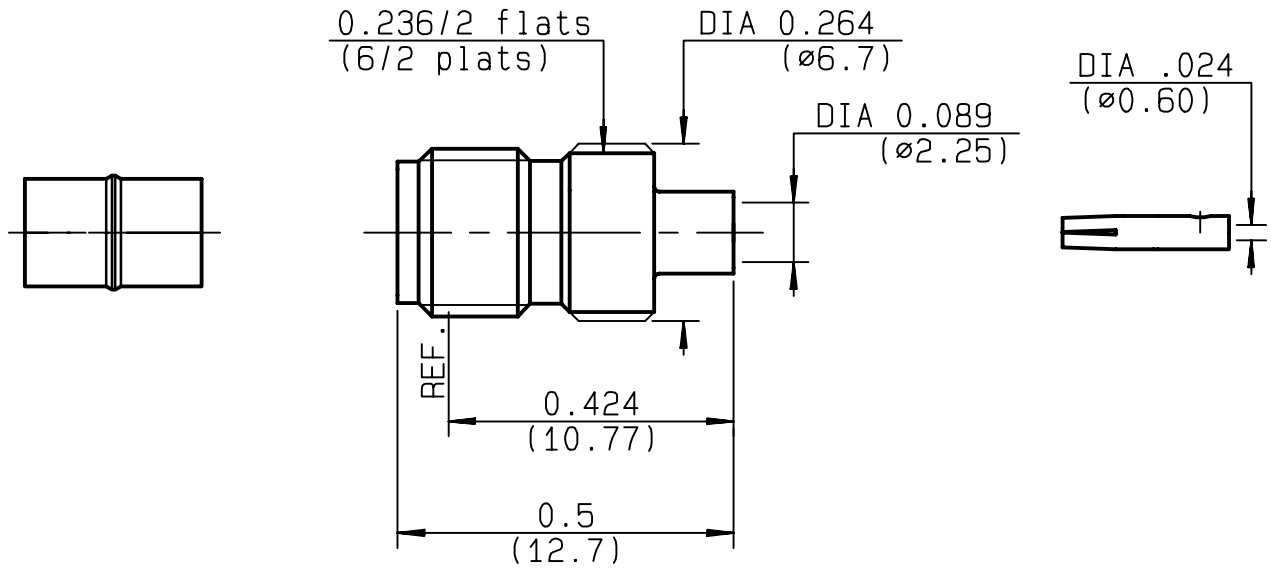


**STRAIGHT JACK SOLDER TYPE
CABLE .085**

R124.222.003
SERIES SMA-COM



NOMINAL IMPEDANCE	50 Ω	CABLES : KS 1 RG 405
FREQUENCY RANGE	0-18 GHz	
TEMPERATURE RATING	-65/+105 °C	
V.S.W.R	1.07 + .01 x F(GHz)Maxi	
RF INSERTION LOSS	0.05 √F(GHz) dB Maxi	
VOLTAGE RATING	335 Veff Maxi	
DIELECTRIC WITHSTANDING VOLTAGE	750 Veff Mini	
INSULATION RESISTANCE	5000 MΩMini	
HERMETIC SEAL	NA Atm.cm ³ /s	
LEAKAGE (pressurized only)	NA	
MECHANICAL DURABILITY	100 Cycles	OTHERS CHARACTERISTICS
WEIGHT	1.5 gr	CABLE RETENTION 130 N Mini
SPECIFICATION		CENTER CONTACT RETENTION
		Axial force - mating end NA N Mini
		Axial force - opposite end NA N Mini
		Torque NA cm.N Mini
		RECOMMENDED TORQUES
		Mating NA cm.N
		Panel nut NA cm.N
		Clamp nut NA cm.N

CONNECTOR PARTS	MATERIALS	FINISH
BODY	BRASS	GOLD 0.2 OVER NICKEL 2
OUTER CONTACT		
CENTER CONTACT	BERYLLIUM COPPER	GOLD 1.3 OVER COPPER 2.5
INSULATOR	PTFE	-
GASKET		-
OTHERS PIECES		

(all values are given in micrometers)

TRIQUES

ISSUE	CREATION DATE	FILE PART-NUMBER
9847B00	17/06/1996	96-1200-087



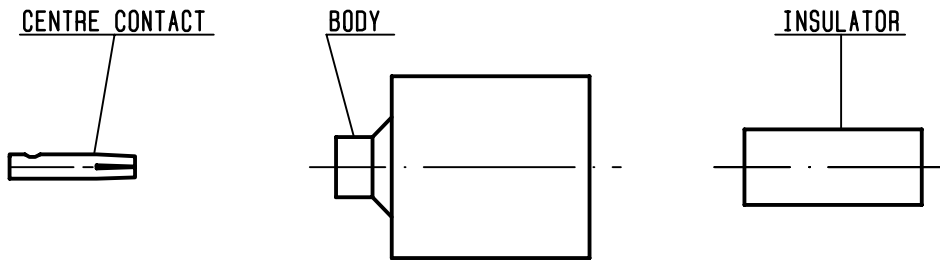
The information given here is subject to change without notice.
Design changes may be in order to improve the product .

Connect to the future



R124.222.003

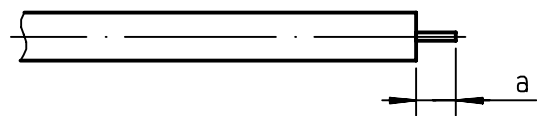
ISSUE 9847B00 SERIES SMA-COM



We recommend a cable thermal preconditionning before assembling

①

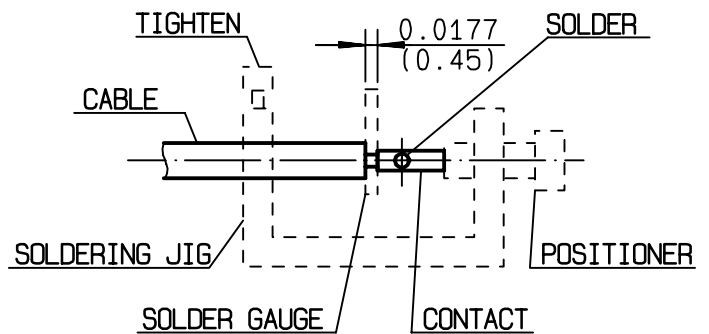
Strip the dielectric of the cable .
 Stripping tool cable : R282.051.000
 Trimmer : R282.063.000
 Clean the cable .
 -



Stripping	a	b	c	d	e
inch	0.125 0	0	0	0	0
mm	3.17				

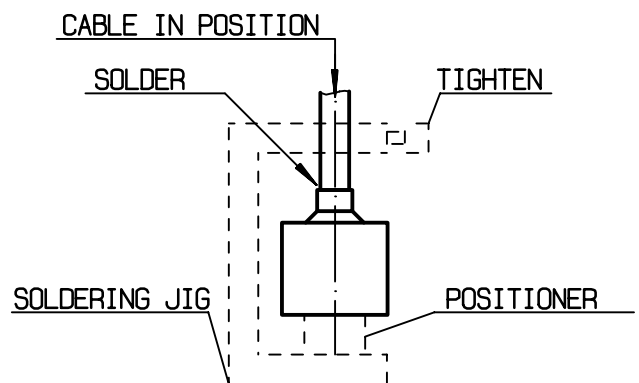
②

Screw the positioner R282.744.220 onto the soldering jig R282.740.000
 Slide contact into positioner .
 Insert solder gauge R282.862.060 (61) between contact and cable .
 Tighten and solder the contact .



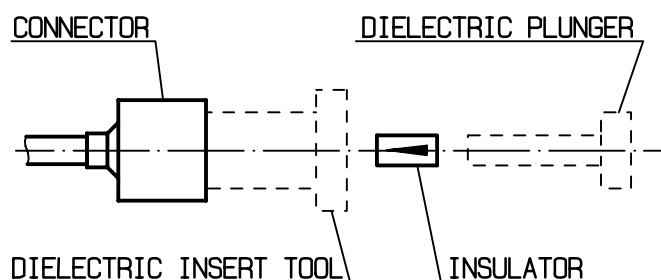
③

After cooling remove cable assembly from the jig .
 Screw positioner R282.744.010 (80) into the connector .
 Slide cable into the connector until it bottoms againsts positioner R282.744.010 .
 Tighten .
 Put 3 rings of solder around the cable and solder .



④

After cooling remove cable assembly from the jig .
 Screw positioner cut R282.914.010
 Cut the dielectric flush to clamp braid sleeve with tool R282.915.010.
 Screw female dielectric insert tool onto connector and insert insulator with the dielectric plunger R282.730.043



TRIQUES