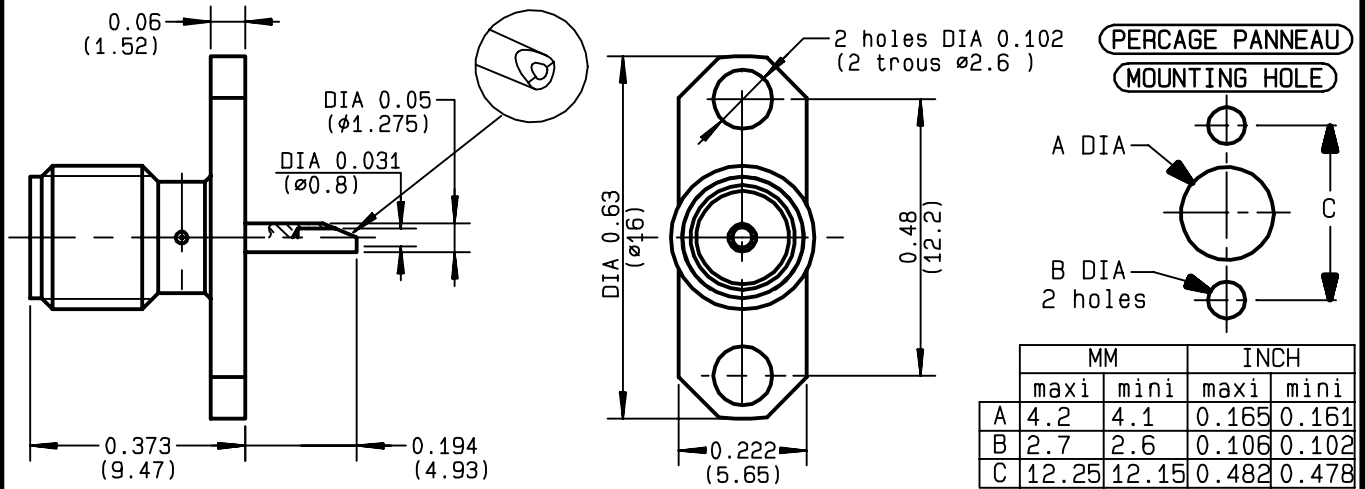


**2 HOLES FLANGE JACK RECEPTACLE
WITH SOLDER POT CONTACT**

R124.454.120
SERIES SMA-COM

4 indents captivation c. contact
(Tenue c. central par 4 creves)



| | | |
|---------------------------------|-----------------|-----------------------------|
| NOMINAL IMPEDANCE | 50 | Ω |
| FREQUENCY RANGE | 0-18 | GHz |
| TEMPERATURE RATING | -65/+165 | $^{\circ}C$ |
| V.S.W.R | 1.04 | + .0056 x F(GHz)Maxi |
| RF INSERTION LOSS | 0.05 | \sqrt{F} (GHz) dB Maxi |
| VOLTAGE RATING | 500 | Veff Maxi |
| DIELECTRIC WITHSTANDING VOLTAGE | 1000 | Veff Mini |
| INSULATION RESISTANCE | 5000 | M Ω Mini |
| HERMETIC SEAL | NA | Atm.cm ³ /s |
| LEAKAGE (pressurized only) | NA | |
| MECHANICAL DURABILITY | 100 | Cycles |
| WEIGHT | 1.7 | gr |
| SPECIFICATION | | |

CABLES :

OTHERS CHARACTERISTICS

cc4.93-is0-tro12.7-cr

| | | |
|----------------------------|------------|-----------|
| CABLE RETENTION | NA | N Mini |
| CENTER CONTACT RETENTION | | |
| Axial force - mating end | 27 | N Mini |
| Axial force - opposite end | 27 | N Mini |
| Torque | 2.8 | cm.N Mini |
| RECOMMENDED TORQUES | | |
| Mating | NA | cm.N |
| Panel nut | NA | cm.N |
| Clamp nut | NA | cm.N |

| | | | |
|-----------------|------------------|--------------------------|---------------------------------------|
| CONNECTOR PARTS | MATERIALS | FINISH | (all values are given in micrometers) |
| BODY | BRASS | BBR 2 | |
| OUTER CONTACT | | | |
| CENTER CONTACT | BERYLLIUM COPPER | GOLD 1.3 OVER COPPER 2.5 | |
| INSULATOR | PTFE | - | |
| GASKET | | - | |
| OTHERS PIECES | | | |

| | | |
|----------------|-------------------|------------------|
| ISSUE | CREATION DATE | FILE PART-NUMBER |
| 9847C00 | 30/06/1993 | EPC 97-03 |



TRIQUES

The information given here is subject to change without notice.
Design changes may be in order to improve the product .

Connect to the future