

STRAIGHT FEMALE PCB RECEPTACLE

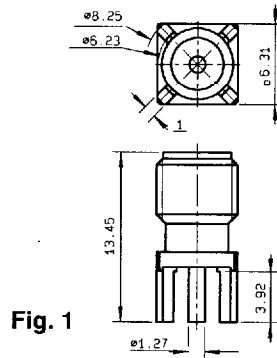
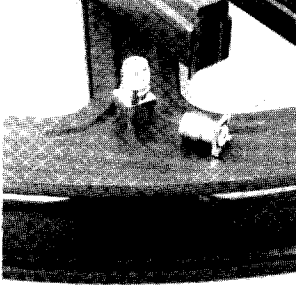


Fig. 1

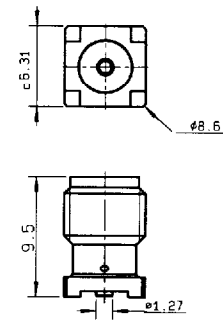


Fig. 2

part number	fig.	PCB pattern	finish	note
R124 426 120	1	P 03	BBR	
R124 426 121●	1	P 03	BBR + Tin-lead 60/40	
R124 426 123	1	P 03	Gold	
R124 426 850	1	P 03	BBR	Tube of 78 pieces
R124 426 853	1	P 03	Gold	Tube of 78 pieces
R124 427 000	2	M 09	Gold	Surface mount / Unit packaging
R124 427 800	2	M 09	Gold	Surface mount / Tape and reel of 100 pieces
R124 427 850	2	M 09	Gold	Surface mount / tube of 78 pieces

RIGHT ANGLE FEMALE PCB RECEPTACLE

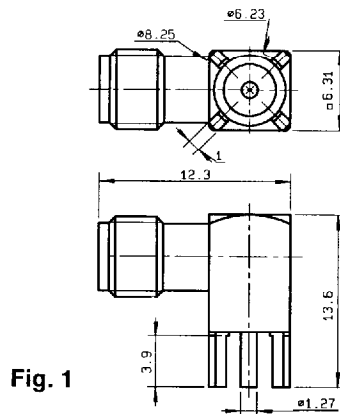
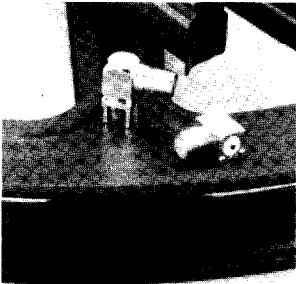


Fig. 1

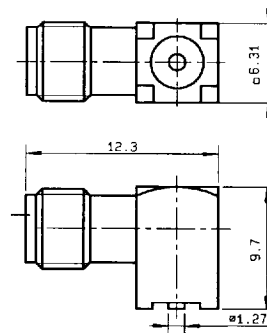


Fig. 2

part number	fig.	PCB pattern	finish	note
R124 680 120	1	P 03	BBR	
R124 680 123	1	P 03	Gold	
R124 680 130●	1	P 03	BBR + Tin lead 60/40	
R124 680 850	1	P 03	BBR	Tube of 40 pieces
R124 680 853	1	P 03	Gold	Tube of 40 pieces
R124 681 000	2	M 09	Gold	Surface mount / Unit packaging
R124 681 800	2	M 09	Gold	Surface mount / Tape and reel of 100 pieces
R124 681 850	2	M 09	Gold	Surface mount / tube of 40 pieces

● Upon request.

Standard packaging : 100 pieces