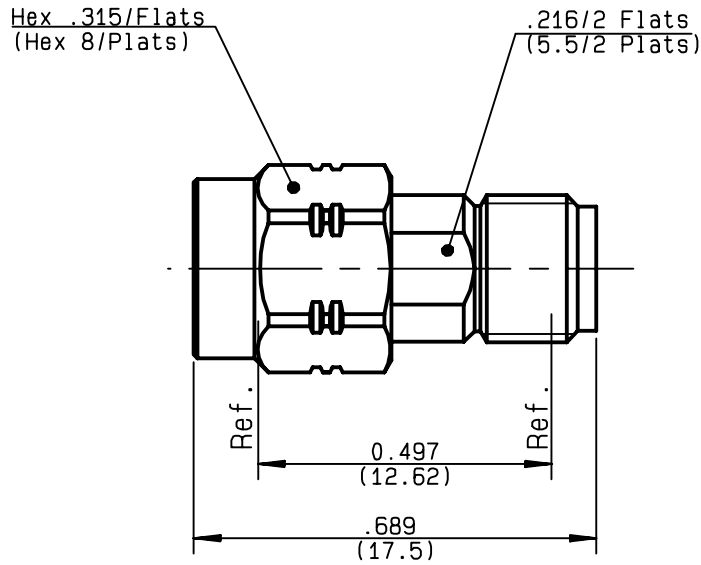


**MALE-FEMALE ADAPTOR**

**R124.704.000**  
**SERIES SMA-COM**



NOMINAL IMPEDANCE	<b>50</b> Ω
FREQUENCY RANGE	<b>0-18</b> GHz
TEMPERATURE RATING	<b>-65/+165</b> °C
V.S.W.R	<b>1.05 + .005</b> x F(GHz)Maxi
RF INSERTION LOSS	<b>0.05</b> √F(GHz) dB Maxi
VOLTAGE RATING	<b>500</b> Veff Maxi
DIELECTRIC WITHSTANDING VOLTAGE	<b>1000</b> Veff Mini
INSULATION RESISTANCE	<b>5000</b> MΩMini
HERMETIC SEAL	<b>NA</b> Atm.cm <sup>3</sup> /s
LEAKAGE (pressurized only)	<b>NA</b>
MECHANICAL DURABILITY	<b>100</b> Cycles
WEIGHT	gr
SPECIFICATION	

CABLES :	
OTHERS CHARACTERISTICS	
CABLE RETENTION	<b>NA</b> N Mini
CENTER CONTACT RETENTION	
Axial force - mating end	<b>27</b> N Mini
Axial force - opposite end	<b>27</b> N Mini
Torque	<b>2.8</b> cm.N Mini
RECOMMENDED TORQUES	
Mating	<b>60</b> cm.N
Panel nut	<b>NA</b> cm.N
Clamp nut	<b>NA</b> cm.N

CONNECTOR PARTS	MATERIALS	FINISH	(all values are given ) in micrometers
BODY	BRASS	BBR 2	
OUTER CONTACT			
CENTER CONTACT	BERYLLIUM COPPER	GOLD 1.3 OVER COPPER 2.5	
INSULATOR	PTFE	-	
GASKET		-	
OTHERS PIECES	BRASS	BBR 2	

ISSUE <b>9847A00</b>	CREATION DATE <b>17/07/1996</b>	FILE PART-NUMBER <b>96-1200-083</b>
-------------------------	------------------------------------	--



TRIQUES

The information given here is subject to change without notice.  
 Design changes may be in order to improve the product .

*Connect to the future*