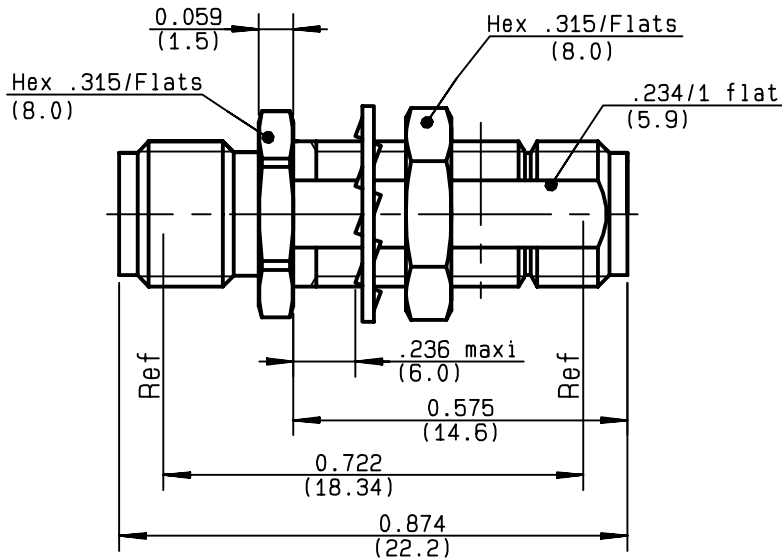
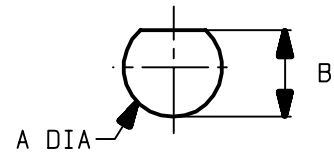


**FEMALE-FEMALE BULKHEAD ADAPTOR**

**R124.720.000**  
**SERIES SMA-COM**



PERCAGE PANNEAU  
 MOUNTING HOLE



	MM		INCH	
	maxi	mini	maxi	mini
A	6.5	6.4	0.256	0.252
B	6.15	6	0.232	0.24

NOMINAL IMPEDANCE	<b>50</b> Ω
FREQUENCY RANGE	<b>0-18</b> GHz
TEMPERATURE RATING	<b>-65/+165</b> °C
V.S.W.R	<b>1.05</b> + <b>.005</b> x F(GHz)Maxi
RF INSERTION LOSS	<b>0.07</b> √F(GHz) dB Maxi
VOLTAGE RATING	<b>500</b> Veff Maxi
DIELECTRIC WITHSTANDING VOLTAGE	<b>1000</b> Veff Mini
INSULATION RESISTANCE	<b>5000</b> MΩMini
HERMETIC SEAL	<b>NA</b> Atm.cm <sup>3</sup> /s
LEAKAGE (pressurized only)	<b>NA</b>
MECHANICAL DURABILITY	<b>100</b> Cycles
WEIGHT	<b>3.1</b> gr
SPECIFICATION	

CABLES :

OTHERS CHARACTERISTICS

CABLE RETENTION	<b>NA</b>	N Mini
CENTER CONTACT RETENTION		
Axial force - mating end	<b>27</b>	N Mini
Axial force - opposite end	<b>27</b>	N Mini
Torque	<b>2.8</b>	cm.N Mini
RECOMMENDED TORQUES		
Mating	<b>NA</b>	cm.N
Panel nut	<b>150</b>	cm.N
Clamp nut	<b>NA</b>	cm.N

CONNECTOR PARTS	MATERIALS	FINISH	(all values are given ) in micrometers
BODY	BRASS	BBR 2	
OUTER CONTACT			
CENTER CONTACT	BERYLLIUM COPPER	GOLD 1.3 OVER COPPER 2.5	
INSULATOR	PTFE	-	
GASKET		-	
OTHERS PIECES	BRASS	BBR 2	

TRIQUES

ISSUE	CREATION DATE	FILE PART-NUMBER
<b>9847A00</b>	<b>17/07/1996</b>	<b>96-1200-086</b>



**RADIALL**®

The information given here is subject to change without notice.  
 Design changes may be in order to improve the product .

*Connect to the future*