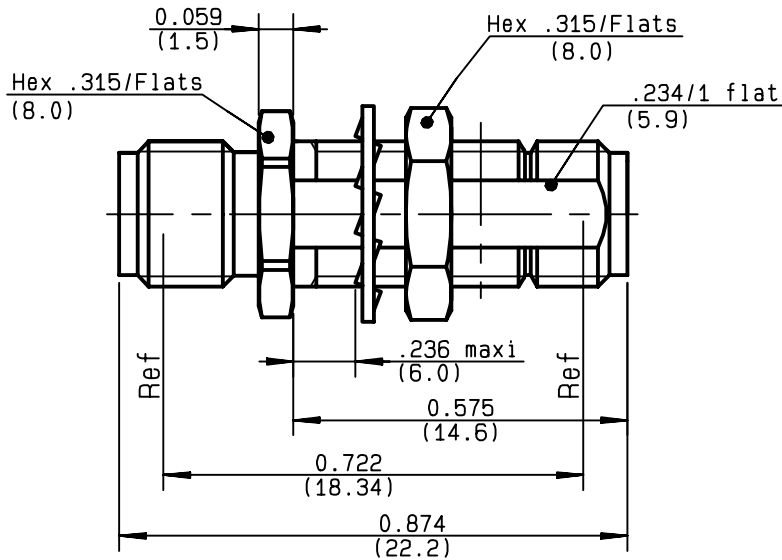
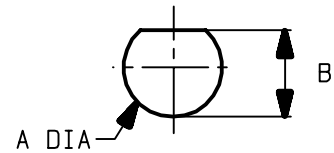


FEMALE-FEMALE BULKHEAD ADAPTOR

R124.720.003
SERIES SMA-COM



PERCAGE PANNEAU
 MOUNTING HOLE



| | MM | | INCH | |
|---|------|------|-------|-------|
| | maxi | mini | maxi | mini |
| A | 6.5 | 6.4 | 0.256 | 0.252 |
| B | 6.15 | 6 | 0.232 | 0.24 |

| | | |
|---------------------------------|--|------------------------|
| NOMINAL IMPEDANCE | 50 | Ω |
| FREQUENCY RANGE | 0-18 | GHz |
| TEMPERATURE RATING | -65/+165 | $^{\circ}\text{C}$ |
| V.S.W.R | 1.05 + .005 x F(GHz)Maxi | |
| RF INSERTION LOSS | 0.07 \sqrt{F} (GHz) dB Maxi | |
| VOLTAGE RATING | 500 | Veff Maxi |
| DIELECTRIC WITHSTANDING VOLTAGE | 1000 | Veff Mini |
| INSULATION RESISTANCE | 5000 | M Ω Mini |
| HERMETIC SEAL | NA | Atm.cm ³ /s |
| LEAKAGE (pressurized only) | NA | |
| MECHANICAL DURABILITY | 100 | Cycles |
| WEIGHT | 3.2 | gr |
| SPECIFICATION | | |

CABLES :

OTHERS CHARACTERISTICS

| | | |
|----------------------------|------------|-----------|
| CABLE RETENTION | NA | N Mini |
| CENTER CONTACT RETENTION | | |
| Axial force - mating end | 27 | N Mini |
| Axial force - opposite end | 27 | N Mini |
| Torque | 2.8 | cm.N Mini |
| RECOMMENDED TORQUES | | |
| Mating | NA | cm.N |
| Panel nut | 150 | cm.N |
| Clamp nut | NA | cm.N |

| CONNECTOR PARTS | MATERIALS | FINISH |
|-----------------|------------------|--------------------------|
| BODY | BRASS | GOLD 0.2 OVER NICKEL 2 |
| OUTER CONTACT | | |
| CENTER CONTACT | BERYLLIUM COPPER | GOLD 1.3 OVER COPPER 2.5 |
| INSULATOR | PTFE | - |
| GASKET | | - |
| OTHERS PIECES | BRASS | GOLD 0.2 OVER NICKEL 2 |

(all values are given in micrometers)

TRIQUES

| | | |
|-------------------------|------------------------------------|--|
| ISSUE 9847A00 | CREATION DATE 27/06/1996 | FILE PART-NUMBER 96-1200-067 |
|-------------------------|------------------------------------|--|



RADIALL[®]

The information given here is subject to change without notice.
 Design changes may be in order to improve the product .

Connect to the future