

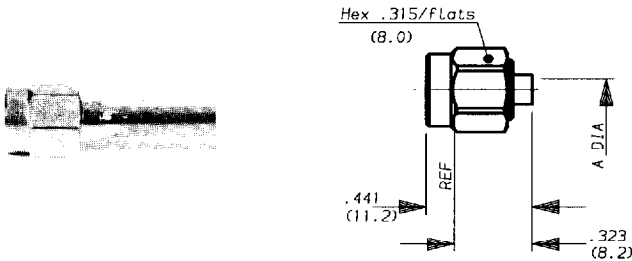
SMA

.085" and .141" SEMI-RIGID CABLE – DIRECT SOLDER TYPE

RADIALL proposes a complete range of SMA coaxial connectors to solder on semi-rigid cable. Those connectors present high performances at high quality level.

RADIALL connectors can be used in all high frequency applications systems, and are available for .085", .141" and .250" semi-rigid cable.

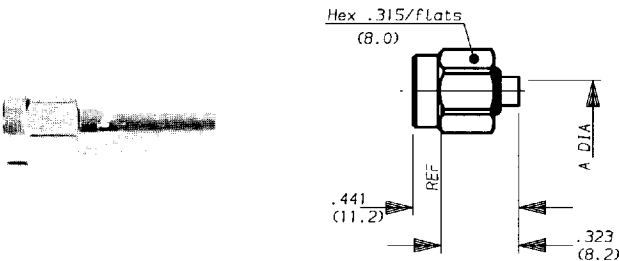
Straight cable plug with center contact



CABLE DIA.	.085"	.141"
PART NUMBER	R 125 052 002	R 125 055 002
Captive contact	NO	NO
A DIA.	.089 (2.25)	.144 (3.65)
Assembly instructions	M 04 pages 68, 69	

See footnote 1

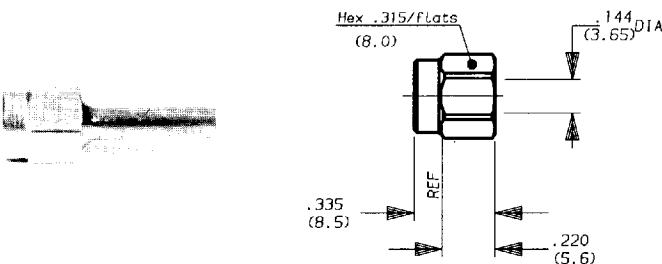
Straight cable plug retractable coupling nut with center contact



CABLE DIA.	.085"	.141"
PART NUMBER	R 125 052 500	R 125 055 500
Captive contact	NO	NO
A DIA.	.089 (2.25)	.144 (3.65)
Assembly instructions	M04 pages 68, 69	

Finish : Gold plated

Straight cable plug without center contact

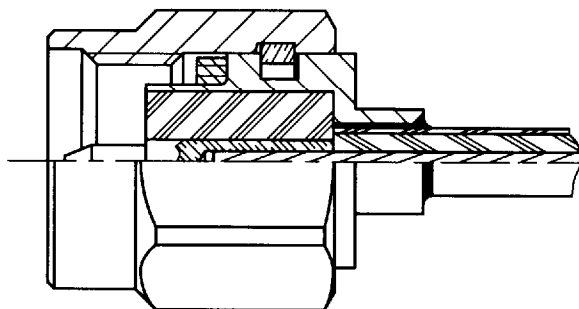


CABLE DIA.	.141"	
PART NUMBER	R 125 054 002	
Assembly instructions	M 05 page 70	

See footnote 1

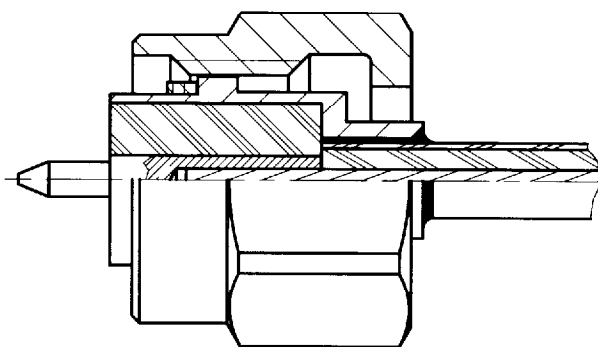
1) The standard units have passivated stainless steel coupling nut with gold plated part to be soldered for cable attachment. For gold plated coupling nut change the last digit from 2 to 0 / Ex R 125 052

Straight cable plug with center contact



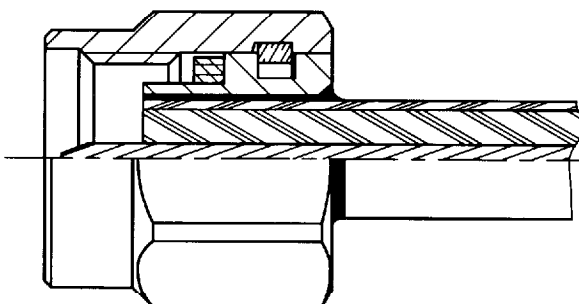
PART NUMBER	R 125 052 000
	R 125 055 000

Straight cable plug with retractable coupling nut and center contact



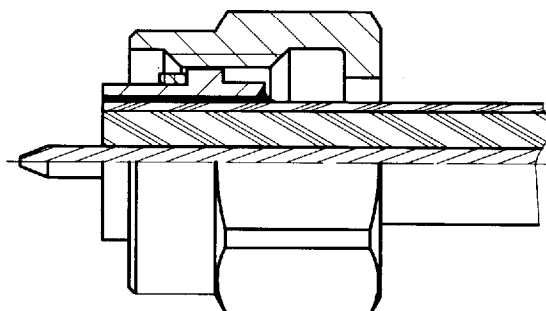
PART NUMBER	R 125 052 500
	R 125 055 500

*Straight cable plug, without center contact
(only for .141 semi-rigid cable)*



PART NUMBER	R 125 054 000
-------------	---------------

*Straight cable plug with retractable coupling nut, without center contact
(only for .141 semi-rigid cable)*

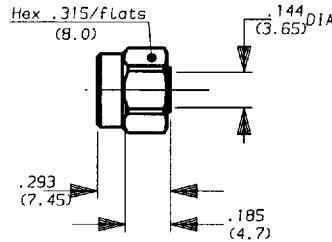


PART NUMBER	R 125 054 500
-------------	---------------

SMA

.085" and .141" SEMI-RIGID CABLE – DIRECT SOLDER TYPE

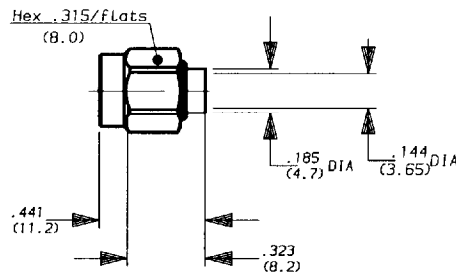
Straight cable plug retractable coupling nut without center contact



CABLE DIA.	.141"
PART NUMBER	R 125 054 500
Assembly instructions	M 03 page 67

Finish : Gold plated

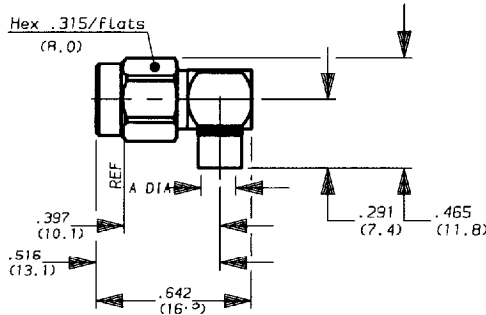
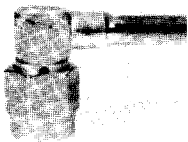
Straight cable plug without center contact



CABLE DIA.	.141"
PART NUMBER	R 125 057 002
Assembly instructions	M 05 page 70

See footnote 1

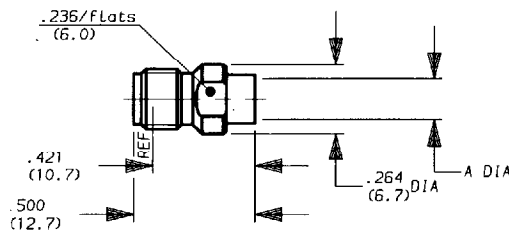
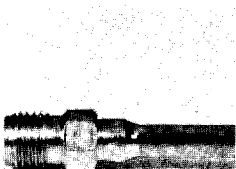
Right angle cable plug



CABLE DIA.	.085"	.141"
PART NUMBER	R 125 153 002	R 125 154 002
Captive contact	YES	YES
A DIA.	.089 (2.25)	.144 (3.65)
Assembly instructions	M 11 page 76	

See footnote 1

Straight cable jack



CABLE DIA.	.085"	.141"
PART NUMBER	R 125 222 000	R 125 225 000
Captive contact	NO	NO
A DIA.	.089 (2.25)	.144 (3.65)
Assembly instructions	M 01 pages 64, 65	

Finish : Gold plated

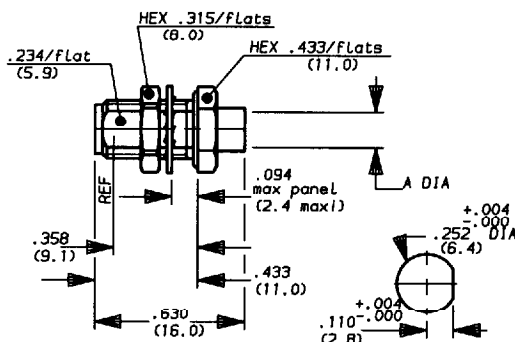
1) The standard units have passivated stainless steel coupling nut with gold plated part to be soldered for cable attachment. For gold plated coupling nut change the last digit from 2 to 0 / Ex R 125 057



.085" and .141" SEMI-RIGID CABLE – DIRECT SOLDER TYPE

Bulkhead feedthrough cable jack (panel seal)

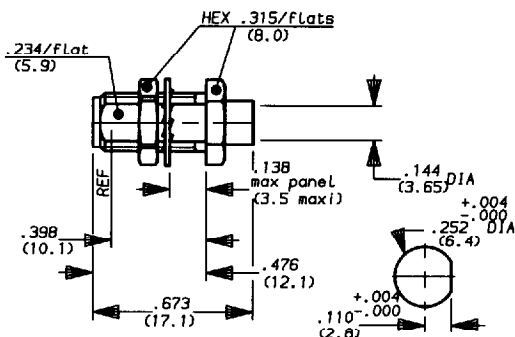
CABLE DIA.	.085"	.141"
PART NUMBER	R 125 326 000	R 125 325 000
Captive contact	NO	NO
A DIA.	.089 (2.25)	.144 (3.65)
Assembly instructions	M 01 page 64	



See footnote 1

Bulkhead feedthrough cable jack

CABLE DIA.	.141"
PART NUMBER	R 125 305 000
Captive contact	NO
Assembly instructions	M 01 page 64

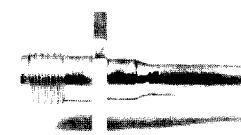
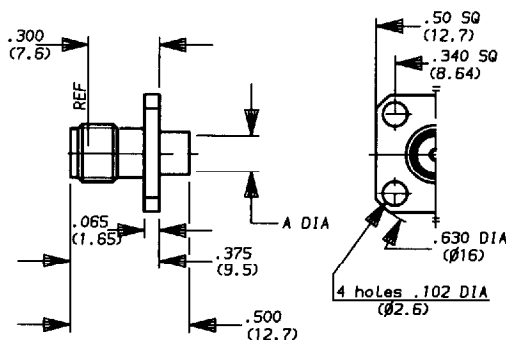


See footnote 1



Square flange mount cable jack

CABLE DIA.	.085"	.141"
PART NUMBER	R 125 256 000	R 125 255 000
Captive contact	NO	NO
A DIA.	.089 (2.25)	.144 (3.65)
Assembly instructions	M 01 page 64	

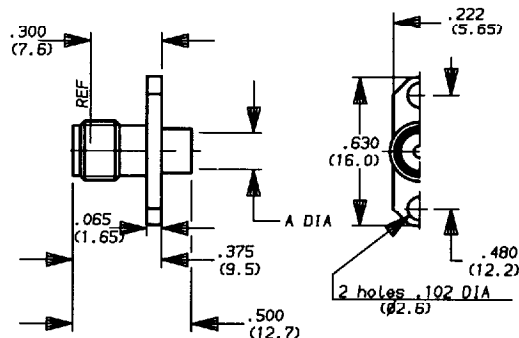


See footnote 1



Narrow flange mount cable jack

CABLE DIA.	.085"	.141"
PART NUMBER	R 125 252 000	R 125 251 000
Captive contact	NO	NO
A DIA.	.089 (2.25)	.144 (3.65)
Assembly instructions	M 01 page 64	



See footnote 1

) Finish : Gold plated.