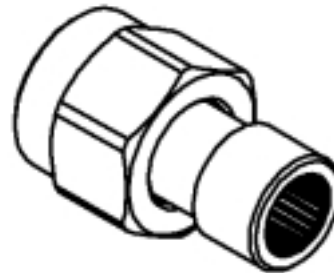
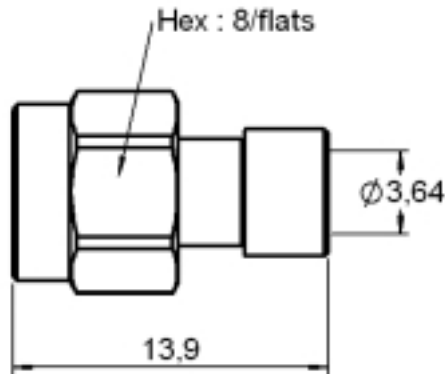


**STRAIGHT PLUG CRIMP TYPE**

**R125.055.900**

**CABLE .141**

Series : SMA



All dimensions are in mm.

COMPONENTS	MATERIALS	PLATING
<b>BODY</b>	<b>STAINLESS STEEL</b>	<b>GOLD 0.5 OVER NICKEL 2 µm</b>
<b>CENTRE CONTACT</b>	<b>BERYLLIUM COPPER</b>	<b>GOLD 1.3 OVER NICKEL 2 µm</b>
<b>OUTER CONTACT</b>	-	- µm
<b>INSULATOR</b>	<b>PTFE</b>	
<b>GASKET</b>	<b>SILICONE RUBBER</b>	
<b>OTHERS PARTS</b>	<b>STAINLESS STEEL</b>	<b>GOLD 0.5 OVER NICKEL 2 µm</b>
-	-	-
-	-	-



**Edition : 9840 B**

Design changes may be in order to improve the product.

**STRAIGHT PLUG CRIMP TYPE**

**R125.055.900**

**CABLE .141**

Series : SMA

**ELECTRICAL CHARACTERISTICS**

Impedance **50** Ω  
 Frequency **0-18** GHz  
 VSWR **1.05 + 0.010** x F(GHz) Maxi  
 Insertion loss **0.03** √F(GHz) dB  
 RF leakage - ( **60** - F(GHz)) dB mini  
 Operating temperature **-65/+105** °C  
 Voltage rating **500** Veff Maxi  
 Dielectric withstanding **1000** Veff mini  
 Insulation resistance **5000** MΩ mini

**SPECIFICATION**

Stripping	a	b	c	d	e	f
mm	2.16	0.00	0.00	0.00	0.00	0.00

Assembly instruction :

Recommended cables  
 RG 402  
 KS 2

Cable retention

- pull off **270** N mini  
 - torque **NA** N.cm

**MECHANICAL CHARACTERISTICS**

Centre contact retention  
 Axial force – Mating end **27** N mini  
 Axial force – Opposite end **27** N mini  
 Torque **2.8** N.cm mini

Recommended torque  
 Mating **100** N.cm  
 Panel nut **NA** N.cm  
 Clamp nut **NA** N.cm  
 A/F clamp nut **0.000** mm

Mating life **500** Cycles mini  
 Weight **2.700** g

**TOOLING**

Part Number	Description	Hexagon
.	.	.
R282.255.000	PNEUMATIC CRIMPING TOOL	
R282.053.000	STRIPPING TOOL	
R282.066.000	POINTER GAUGE	
R282.711.000	GUIDE	
R282.286.000	CRIMPING TOOL	-
R282.702.000	POSITIONER	-

**OTHERS CHARACTERISTICS**

-

**ENVIRONMENTAL**

Hermetic seal **NA** Atm.cm3/s  
 Leakage – pressurised only **NA** Mpa



Edition : 9840 B

Design changes may be in order to improve the product.