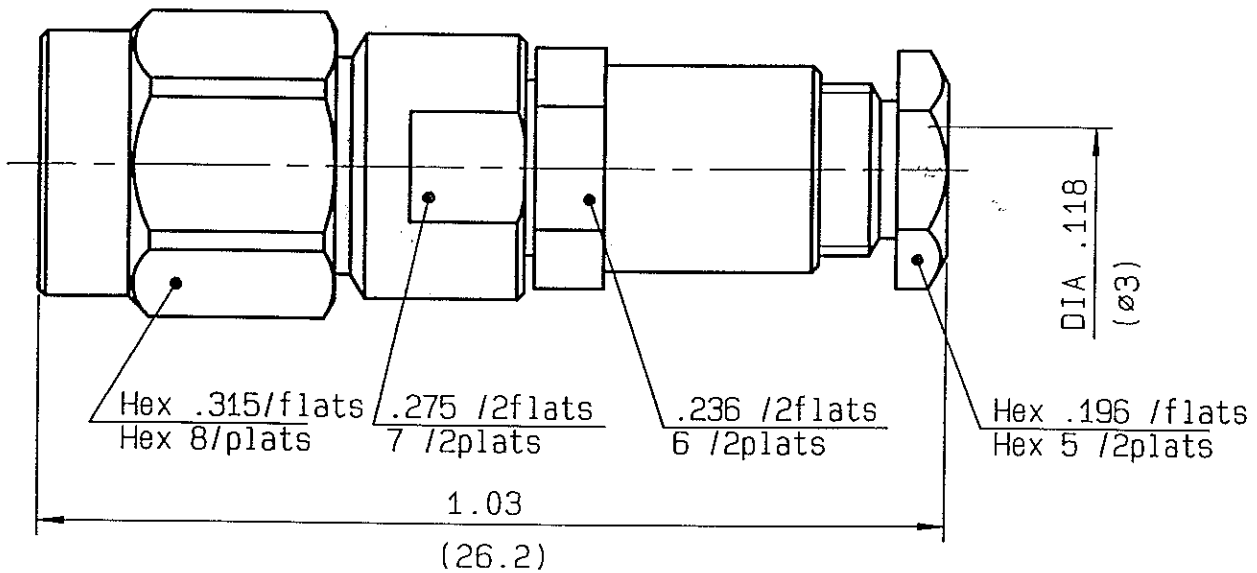


**STRAIGHT PLUG CLAMP TYPE
CABLE 2.6/50 S**

R125.091.000
SERIES SMA



NOMINAL IMPEDANCE	50 Ω	CABLES : KX 22A
FREQUENCY RANGE	0-12.4 GHz	RG 174
TEMPERATURE RATING	-65/+165 °C	RG 188
V.S.W.R	1.15 + .02 x F(GHz)Max	RG 316
RF INSERTION LOSS	0.06 \sqrt{F} (GHz) dB Max	
VOLTAGE RATING	250 Veff Max	
DIELECTRIC WITHSTANDING VOLTAGE	750 Veff Min	
INSULATION RESISTANCE	5000 M Ω Mini	OTHERS CHARACTERISTICS
HERMETIC SEAL	NA Atm.cm ³ /s	CABLE RETENTION
LEAKAGE (pressurized only)	NA	90 N Mini
MECHANICAL DURABILITY	500 Cycles	CENTER CONTACT RETENTION
WEIGHT	gr	Axial force - mating end
SPECIFICATION		27 N Mini
		Axial force - opposite end
		27 N Mini
		Torque
		NA cm.N Mini
		RECOMMENDED TORQUES
		Mating
		100 cm.N
		Panel nut
		NA cm.N
		Clamp nut
		40 cm.N

CONNECTOR PARTS	MATERIALS	FINISH	(all values are given in micrometers)
BODY	STAINLESS STEEL	GOLD 0.5 OVER NICKEL 2	
OUTER CONTACT			
CENTER CONTACT	BRASS	GOLD 1.3 OVER NICKEL 2	
INSULATOR	PTFE	-	
GASKET	SILICONE RUBBER	-	
OTHERS PIECES	BRASS	GOLD 0.2 OVER NICKEL 2	

GUILLOMIN

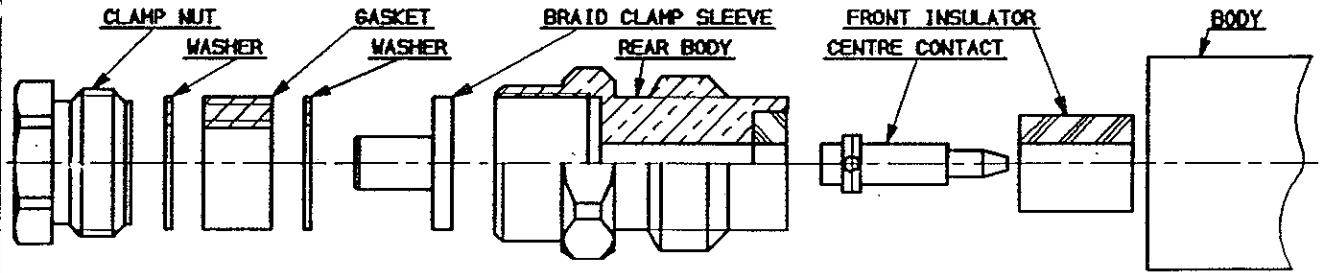
ISSUE	CREATION DATE	FILE PART-NUMBER
J943K00	17/04/1989	



The information given here is subject to change without notice. Design changes may be in order to improve the product.

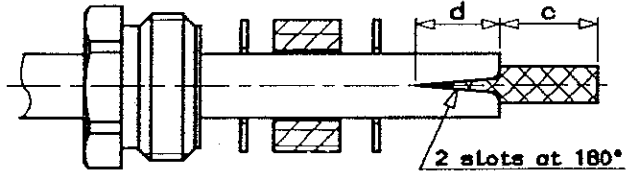
Connect to the future

STRAIGHT PLUG , CLAMP VERSION FOR 2.6/50 CABLE



①

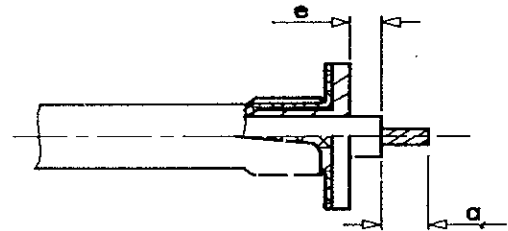
- 1-1 Slide the clamp nut, the 1st washer, the gasket and the 2nd washer onto the cable .
- 1-2 Strip the cable .
- 1-3 Cut the jacket (2 slots) .



Stripping	a	b	c	d	e
Inch	-	-	.195	.177	.011
mm	-	-	5	4.5	0.3

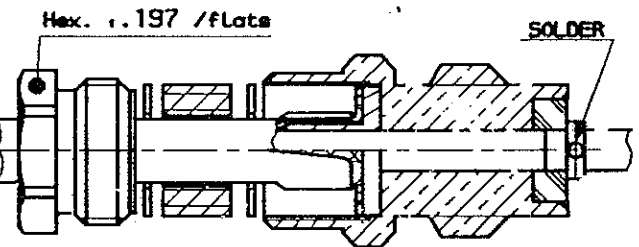
②

- 2-1 Slide clamp braid sleeve over braid .
- 2-2 Cut the braid flush with the clamp braid sleeve .
- 2-3 Strip the dielectric as shown .



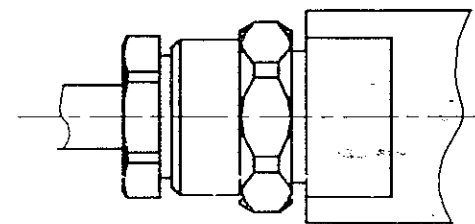
③

- 3-1 Screw sub-assembly into the connector rear body (coupling torque 3.54in.Lb)
- 3-2 Slide centre contact over centre conductor until it bottoms against insulator
- 3-3 Solder centre contact .
- 3-4 Mount front insulator .



④

- 4-1 Screw sub-assembly into the connector body .
- Recommended coupling torque
8.86 In.Lb



ISSUE	REVISION No	DESCRIPTION	BY	DATE
9943	21499,10.004	.210 → .195 → .043 → .011 (Stripping table)	Vignard	TRJPIER 25.10.99

Initiated on _____
Superseded on _____

The information given here is subject to change without notice. Design changes may be in order to improve the product.

