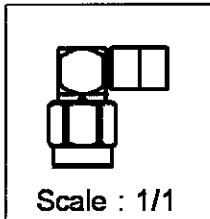
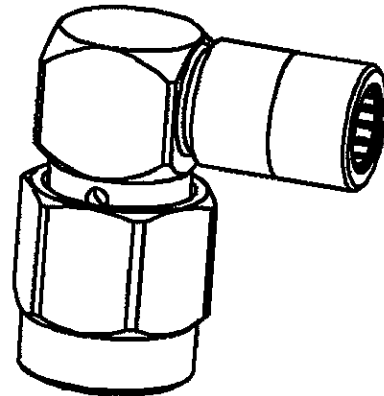
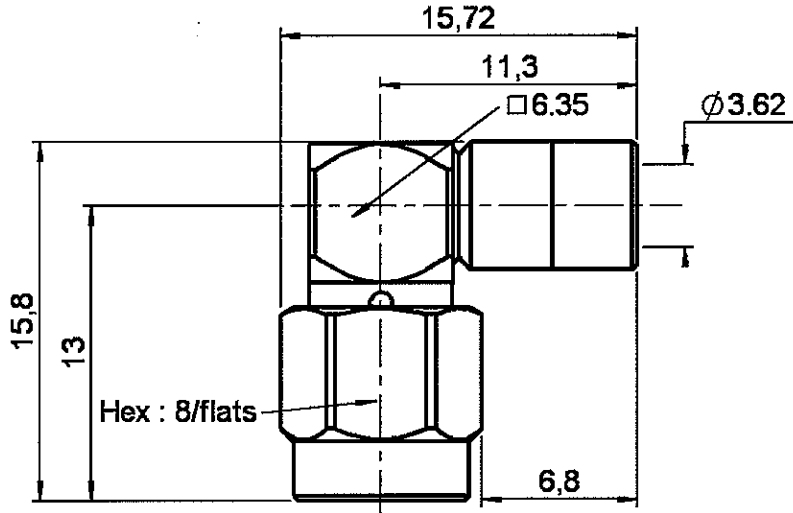


**RIGHT ANGLE PLUG CRIMP TYPE**

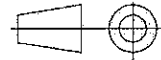
**R125.154.901**

**CABLE .141**

Series : SMA



All dimensions are in mm.



COMPONENTS	MATERIALS	PLATINGS (µm)
BODY	STAINLESS STEEL	PASSIVATED .
CENTER CONTACT	BRASS	GOLD 1.3 OVER NICKEL 2
OUTER CONTACT	-	-
INSULATOR	PTFE	-
GASKET	SILICONE RUBBER	-
OTHERS PARTS	STAINLESS STEEL	PASSIVATED .
-	-	-
-	-	-

Issue : 0528 C

In the effort to improve our products, we reserve the right to make changes judged to be necessary.



**RIGHT ANGLE PLUG CRIMP TYPE**

**R125.154.901**

**CABLE .141**

Series : SMA

**PACKAGING**

Standard	Unit	Other
100	'W' option	Contact us

**SPECIFICATION**

**CABLE ASSEMBLY**

Stripping	a	b	c	d	e	f
mm	2.16	0.00	0.00	0.00	0.00	0.00

**ELECTRICAL CHARACTERISTICS**

Impedance		<b>50</b> Ω
Frequency		<b>0-18</b> GHz
VSWR	<b>1.10 +</b>	<b>0.010</b> x F(GHz) Maxi
Insertion loss		<b>0.05</b> √F(GHz) dB Maxi
RF leakage	- (	<b>60</b> - F(GHz)) dB mini
Voltage rating		<b>500</b> Veff Maxi
Dielectric withstanding voltage		<b>1000</b> Veff mini
Insulation resistance		<b>5000</b> MΩ mini

Assembly instruction :

Recommended cable(s)  
RG 402  
KS 2

Cable retention

- pull off **270** N mini  
- torque **NA** N.cm

**MECHANICAL CHARACTERISTICS**

Center contact retention		
Axial force – Mating end		<b>27</b> N mini
Axial force – Opposite end		<b>27</b> N mini
Torque		<b>2.8</b> N.cm mini

Recommended torque		
Mating		<b>100</b> N.cm
Panel nut		<b>NA</b> N.cm
Clamp nut		<b>NA</b> N.cm
A/F clamp nut		<b>0.000</b> mm

Mating life		<b>500</b> Cycles mini
Weight		<b>5.000</b> g

**TOOLING**

Part Number	Description	Hexagon
.	.	.
R282.053.000	STRIPPING TOOL	-
R282.066.000	POINTER GAUGE	-
R282.286.000	CRIMPING TOOL	-
R282.704.000	POSITIONER	-
R282.711.000	GUIDE	-

**OTHERS CHARACTERISTICS**

**ENVIRONMENTAL**

Operating temperature		<b>-65/+105</b> °C
Hermetic seal		<b>NA</b> Atm.cm3/s
Panel leakage		<b>NA</b>

Issue : 0528 C

In the effort to improve our products, we reserve the right to make changes judged to be necessary.

