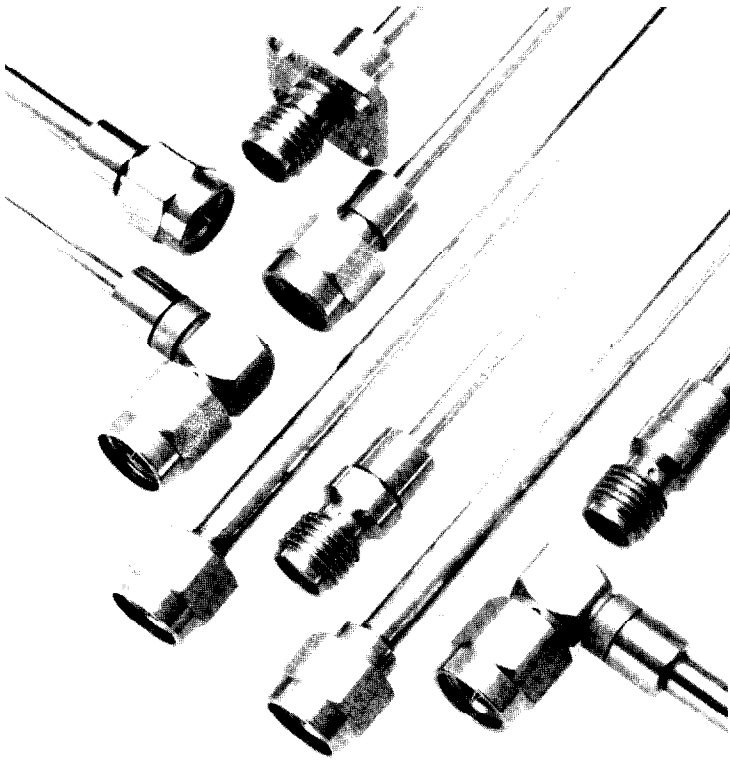


## .085" and .141" SEMI-RIGID CABLE – CRIMP TYPE



### SOLDERLESS ATTACHMENT TO SEMI-RIGID CABLE

Radiall's new SMA crimp connector series offer an exciting alternative for assembling SMA connectors to semi-rigid cable.

Instead of the usual method of soldering the connectors to the cable, with its inherent problem of cable dielectric extrusion, these "solderless" connectors are assembled to the cable by means of crimping with a simple hand tool. The advantages are numerous :

### REDUCED COST

Since there is no need for skilled solderers, the assembly can be performed by relatively unskilled workers in less than 20 seconds.

For high volume production, further reductions in assembly time can be achieved by the use of our pneumatic tooling.

### PERFORMANCE

All the new crimp versions meet or exceed the requirements of MIL-C-39012, CECC 22110, NFC 93563, and BS 9210 N 0006.

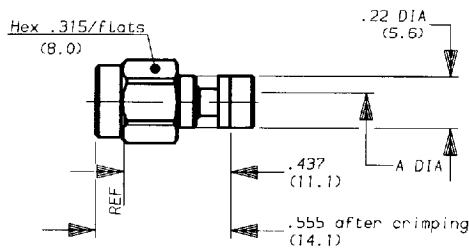
### REPEATABILITY

Because all the variables introduced by soldering are eliminated, each and every assembled connector is identical electrically and mechanically.

### Straight cable plug

CABLE DIA.	.085"	.141"
* PART NUMBER	<b>R 125 052 911*</b>	<b>R 125 055 911*</b>
Captive contact	YES	YES
A DIA.	.089 (2.25)	.144 (3.65)
Assembly instructions	page 22	

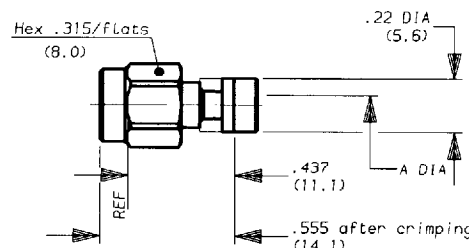
• Manufactured upon request



See footnote 1

### Straight cable plug with retractable coupling nut

CABLE DIA.	.085"	.141"
PART NUMBER	<b>R 125 052 901</b>	<b>R 125 055 901</b>
Captive contact	YES	YES
A DIA.	.089 (2.25)	.144 (3.65)
Assembly instructions	page 22	



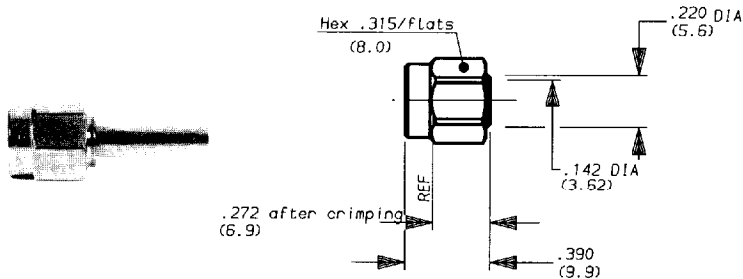
See footnote 1

1) The standard units have passivated stainless steel finish. For gold plated version, change the last digit **from 1 to 0** / Ex R 125 052 910

# SMA

## .141" SEMI-RIGID CABLE – CRIMP TYPE

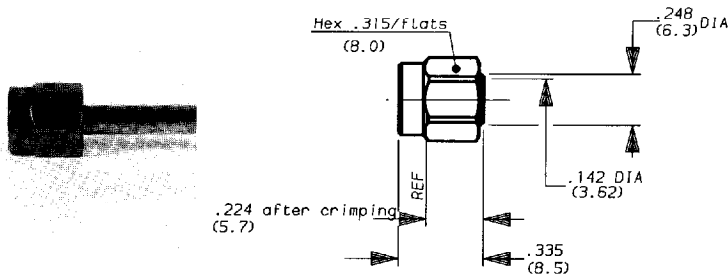
### Straight cable plug without center contact & insulator



CABLE DIA.	.141"
PART NUMBER	<b>R 125 054 901</b>
Assembly instructions	page 22

See footnote 1

### Straight cable plug without center contact & insulator

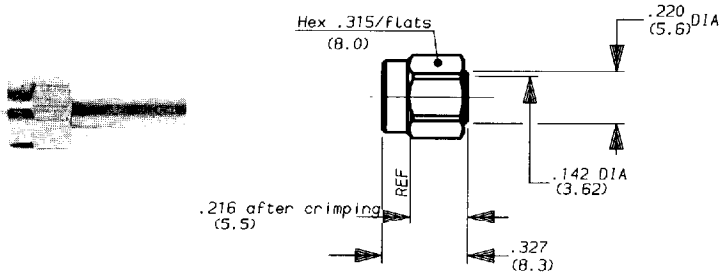


CABLE DIA.	.141"
PART NUMBER	<b>R 125 053 911*</b>
Assembly instructions	page 22

\*Manufactured upon request

See footnote 1

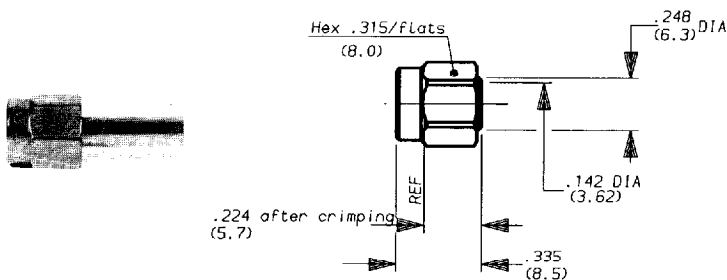
### Straight cable plug with retractable coupling nut without center contact & insulator



CABLE DIA.	.141"
PART NUMBER	<b>R 125 053 901</b>
Assembly instructions	page 22

See footnote 1

### Straight cable plug with center contact



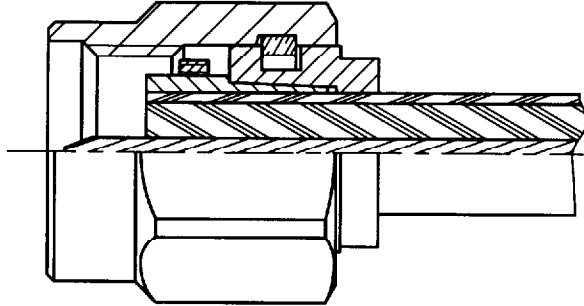
CABLE DIA.	.141"
PART NUMBER	<b>R 125 055 941*</b>
Captive contact	YES
Assembly instructions	page 22

\*Manufactured upon request

See footnote 1

1) The standard units have passivated stainless steel finish. For gold plated version, change the last digit from 1 to 0 Ex R 125 054 900

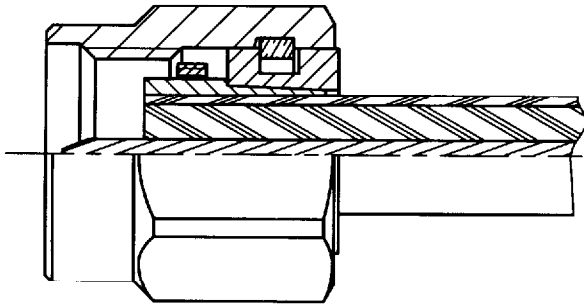
*Straight cable plug with neither center contact nor insulator*



PART  
NUMBER

R 125 054 901

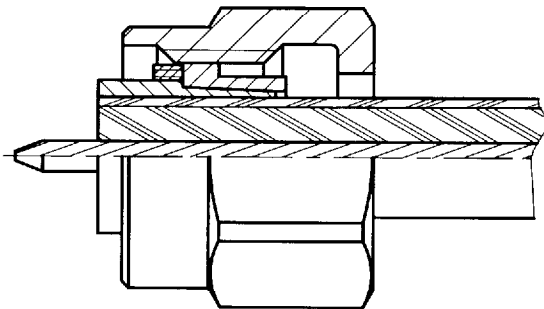
*Straight cable plug with neither center contact nor insulator (short length)*



PART  
NUMBER

R 125 053 911

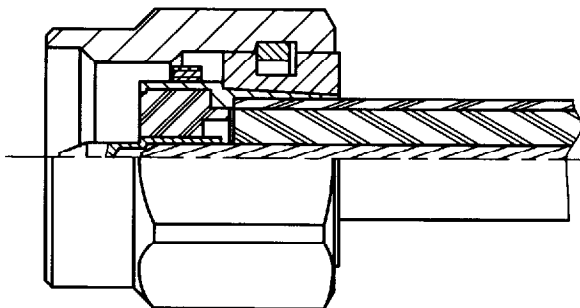
*Straight cable plug, with retractable coupling nut, with neither center contact nor insulator*



PART  
NUMBER

R 125 053 901

*Straight cable plug with center contact (short length)*



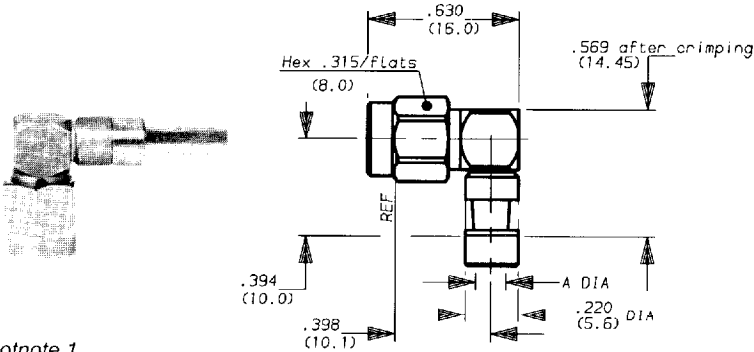
PART  
NUMBER

R 125 055 941

# SMA

## .085" and .141" SEMI-RIGID CABLE – CRIMP TYPE

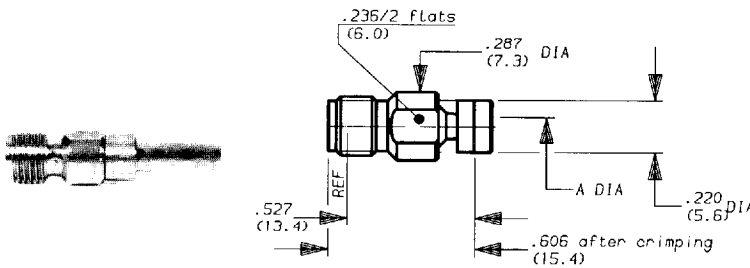
### Right angle cable plug



CABLE DIA.	.085"	.141"
PART NUMBER	R 125 153 901	R 125 154 901
Captive contact	YES	YES
A DIA.	.089 (2.25)	.144 (3.65)
Assembly instructions	page 22	

See footnote 1

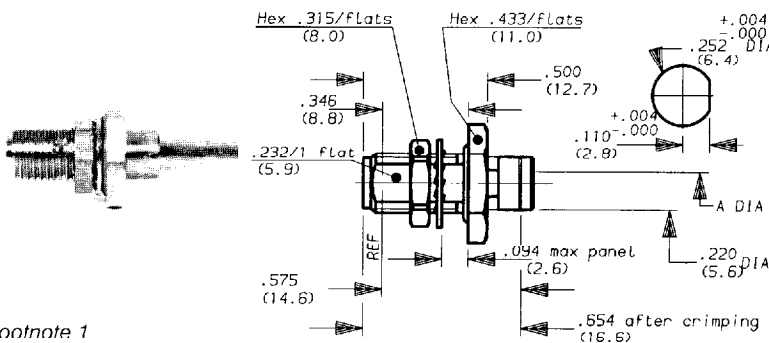
### Straight cable jack



CABLE DIA.	.085"	.141"
PART NUMBER	R 125 222 901	R 125 225 901
Captive contact	YES	YES
A DIA.	.089 (2.25)	.144 (3.65)
Assembly instructions	page 22	

See footnote 1

### Bulkhead feedthrough cable jack

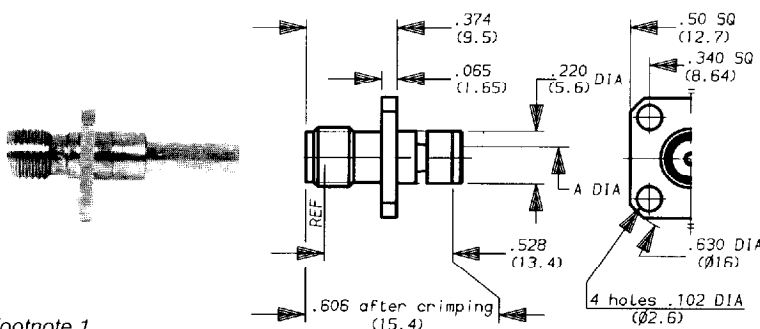


CABLE DIA.	.085"	.141"
PART NUMBER	R 125 326 901*	R 125 325 901
Captive contact	YES	YES
A DIA.	.089 (2.25)	.144 (3.65)
Assembly instructions	page 22	

\*Manufactured upon request

See footnote 1

### Square flange mount cable jack



CABLE DIA.	.085"	.141"
PART NUMBER	R 125 256 901	R 125 255 901
Captive contact	YES	YES
A DIA.	.089 (2.25)	.144 (3.65)
Assembly instructions	page 22	

See footnote 1

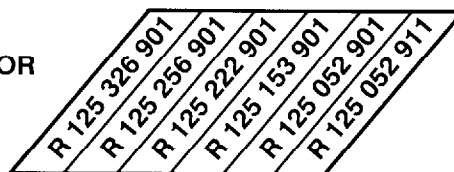
1) The standard units have passivated stainless steel finish. For gold plated version, change the last digit from 1 to 0 / Ex R 125 153 900

## TOOL GUIDE FOR SEMI-RIGID CABLE – CRIMP TYPE

### CABLE .085"

TOOLING

CONNECTOR



CABLE PREPARATION



STRIPPING TOOL	R 282 051 000*	<input type="checkbox"/>	<input type="checkbox"/>	<input type="checkbox"/>	<input type="checkbox"/>	<input type="checkbox"/>	<input type="checkbox"/>
SPARE BLADE for stripping tool	R 282 055 000	<input type="checkbox"/>	<input type="checkbox"/>	<input type="checkbox"/>	<input type="checkbox"/>	<input type="checkbox"/>	<input type="checkbox"/>
TRIMMER	R 282 062 000*	<input type="checkbox"/>	<input type="checkbox"/>	<input type="checkbox"/>	<input type="checkbox"/>	<input type="checkbox"/>	<input type="checkbox"/>
SPARE BLADE for trimmer	R 282 056 085	<input type="checkbox"/>	<input type="checkbox"/>	<input type="checkbox"/>	<input type="checkbox"/>	<input type="checkbox"/>	<input type="checkbox"/>

CRIMPING

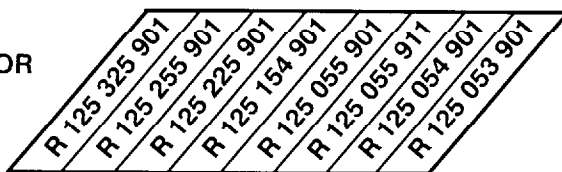


PNEUMATIC CRIMPING TOOL	R 282 255 000	<input type="checkbox"/>	<input type="checkbox"/>	<input type="checkbox"/>	<input type="checkbox"/>	<input type="checkbox"/>	<input type="checkbox"/>
MANUAL CRIMPING TOOL	R 282 286 000	<input type="checkbox"/>	<input type="checkbox"/>	<input type="checkbox"/>	<input type="checkbox"/>	<input type="checkbox"/>	<input type="checkbox"/>
CABLE GUIDE	R 282 710 000	<input type="checkbox"/>	<input type="checkbox"/>	<input type="checkbox"/>	<input type="checkbox"/>	<input type="checkbox"/>	<input type="checkbox"/>
POSITIONER	R 282 702 000				<input type="checkbox"/>	<input type="checkbox"/>	
POSITIONER	R 282 703 000		<input type="checkbox"/>	<input type="checkbox"/>			
POSITIONER	R 282 704 000			<input type="checkbox"/>			
POSITIONER	R 282 705 000	<input type="checkbox"/>					

### CABLE .141"

TOOLING

CONNECTOR



CABLE PREPARATION



STRIPPING TOOL	R 282 053 000*	<input type="checkbox"/>	<input type="checkbox"/>	<input type="checkbox"/>	<input type="checkbox"/>	<input type="checkbox"/>	<input type="checkbox"/>	<input type="checkbox"/>
SPARE BLADE for stripping tool	R 282 055 000	<input type="checkbox"/>	<input type="checkbox"/>	<input type="checkbox"/>	<input type="checkbox"/>	<input type="checkbox"/>	<input type="checkbox"/>	<input type="checkbox"/>
TRIMMER	R 282 066 000*	<input type="checkbox"/>	<input type="checkbox"/>	<input type="checkbox"/>	<input type="checkbox"/>	<input type="checkbox"/>	<input type="checkbox"/>	<input type="checkbox"/>
SPARE BLADE for trimmer	R 282 056 000	<input type="checkbox"/>	<input type="checkbox"/>	<input type="checkbox"/>	<input type="checkbox"/>	<input type="checkbox"/>	<input type="checkbox"/>	<input type="checkbox"/>

CRIMPING



PNEUMATIC CRIMPING TOOL	R 282 255 000	<input type="checkbox"/>	<input type="checkbox"/>	<input type="checkbox"/>	<input type="checkbox"/>	<input type="checkbox"/>	<input type="checkbox"/>	<input type="checkbox"/>
MANUAL CRIMPING TOOL	R 282 286 000	<input type="checkbox"/>	<input type="checkbox"/>	<input type="checkbox"/>	<input type="checkbox"/>	<input type="checkbox"/>	<input type="checkbox"/>	<input type="checkbox"/>
CABLE GUIDE	R 282 711 000	<input type="checkbox"/>	<input type="checkbox"/>	<input type="checkbox"/>	<input type="checkbox"/>	<input type="checkbox"/>	<input type="checkbox"/>	<input type="checkbox"/>
POSITIONER	R 282 700 000							<input type="checkbox"/>
POSITIONER	R 282 701 000					<input type="checkbox"/>		
POSITIONER	R 282 702 000				<input type="checkbox"/>	<input type="checkbox"/>		
POSITIONER	R 282 703 000		<input type="checkbox"/>	<input type="checkbox"/>				
POSITIONER	R 282 704 000			<input type="checkbox"/>				
POSITIONER	R 282 705 000	<input type="checkbox"/>						

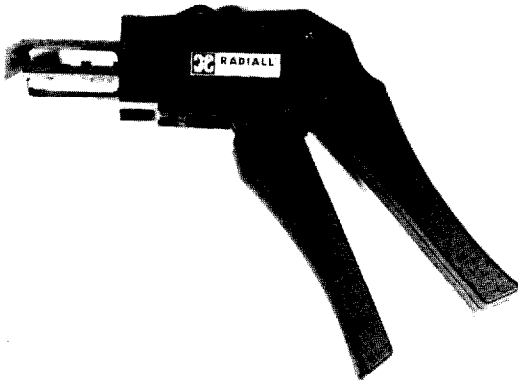
\*NOTE : The stripping tool and trimmer must be imperatively ordered together!

# SMA

## ASSEMBLY TOOLS FOR SEMI-RIGID CABLE – CRIMP TYPE

### ► CRIMPING TOOL

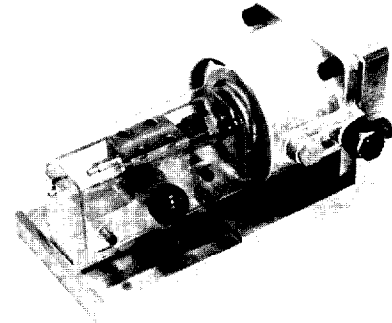
#### MANUAL CRIMPING TOOL



**R 282 286 000**

New ergonomic crimping tool, with emergency trigger

#### PNEUMATIC CRIMPING TOOL

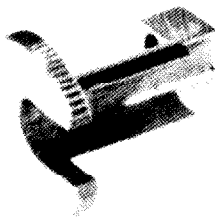


**R 282 255 000**

This tool performs the same function as the manual tool except that it operates pneumatically. It is only recommended for high volume applications.

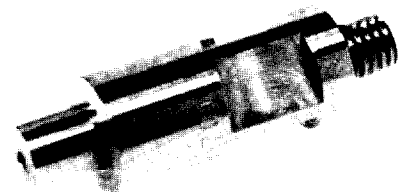
### ► CRIMPING

#### CABLES GUIDES



Cable	PART NUMBER
.085"	<b>R 282 710 000</b>
.141"	<b>R 282 711 000</b>

#### POSITIONER



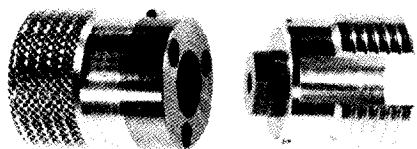
Positioner PART NUMBER	Connector PART NUMBER	
	Cable .085"	Cable .141"
<b>R 282 700 000</b>		R 125 053 901
<b>R 282 701 000</b>		R 125 054 901
<b>R 282 702 000</b>	R 125 052 901	R 125 055 901
<b>R 282 702 000</b>	R 125 052 911	R 125 055 911
<b>R 282 703 000</b>	R 125 222 901	R 125 225 901
<b>R 282 703 000</b>	R 125 256 901	R 125 255 901
<b>R 282 704 000</b>	R 125 153 901	R 125 154 901
<b>R 282 705 000</b>	R 125 326 901	R 125 325 901

Guides and positioners, as shown below, are meant to keep cable and connector respectively in position while crimping.

## ASSEMBLY TOOLS FOR SEMI-RIGID CABLE – CRIMP TYPE

### ► CABLE PREPARATION

#### STRIPPING TOOL

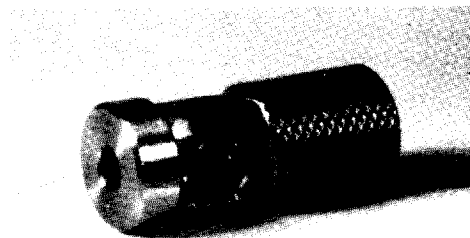


Cable	PART NUMBER
.085"	<b>R 282 051 000</b>
.141"	<b>R 282 053 000</b>

This easy to use tool removes the cable's outer conductor and dielectric leaving the centre conductor stripped to the proper length. It is supplied with a removal blade which can be ordered separately whenever required. Please specify P/N **R 282 055** when ordering the replacement blade.

#### TRIMMER

*Please order together*



Cable	PART NUMBER
.085"	<b>R 282 062 000</b>
.141"	<b>R 282 066 000</b>

Especially designed for sharpening the end of the cable's centre conductor, this sharpening tool – gauge is supplied with a removable blade whenever required. When ordering the replacement blade, please specify P/N : **R 282 056 118** for .141" cable  
**R 282 056 085** for .085" cable

#### TOOL KIT

